



AS 200



AS 200

Bajaj Auto Limited
Akurdi Pune 411 035 India
Tel +91 20 27472851
Fax +91 20 27407385
www.bajajauto.com

Spare Parts Catalogue



Notice



All information contained in this manual is based on the latest product information at the time of publication. Bajaj Auto Limited accepts no liability for any inaccuracies or omissions in this publication, although every possible care has been taken to make it as complete and accurate as possible. All procedures and specifications subject to change without prior notice. The right is reserved to make such changes at any time without prior notice and without incurring an obligation to make such changes to product manufactured previously. Contact your authorized Bajaj Dealer for the latest information on product improvements incorporated after this manual was issued.

REV. FEB 17

Copy rights : All rights reserved. No part of this publicatin may be reproduced, stored in a retrival system, Or transmitted in any form or by any means, electronic mechanical photocopying, recording or otherwise, without the prior written permission of Bajaj Auto LTD.

Foreword



We have pleasure in presenting the Spare Parts Catalogue for 'Pulsar 200 NS' Motorcycle. This catalogue has been specially designed to assist you in selecting the correct parts for procurement to maintain 100% availability.

The Bajaj spares are subjected to the stringent quality control standards to ensure longer life of the vehicle. It is therefore necessary that only the Genuine Bajaj Spares are used.

In a continual effort to improve Performance and Efficiency of the vehicles, Specifications, Diagrams, Illustrations and Part Numbers can change without notice. Consequently, the description in this Spare Parts Catalogue cannot therefore be final and binding on us.

The modifications / alterations which are carried out after the issue of this catalogue, will be conveyed to you through our Service Circulars. You are requested to make necessary corrections in the Parts Catalogue as per the circulars so as to keep your catalogue up-to-date. This will ensure the appropriate and speedy delivery of the Spare Parts as the order placed will bear the latest part numbers.

In case, if you need any technical assistance contact the concerned Regional Office or write to us on the following address :

Bajaj Auto Limited
Service Department
Akurdi, Pune 411 035 India
Phone : 020-27406557
Fax : 020-27407385

Instructions



1. How to Read the Catalogue : Open the catalogue and from the pictorial index locate the group in which the part you want to find is present. Turn over to the concerned page number (as given by pictorial index). Now find out the figure of the part you wish to order. Write down the part number against that particular figure number from the text.

In case, if you have the part number and you need the other details, the part index can be used. The part index (at the end of the catalogue) will give you the figure and page number of the part you wish to order.

2. How to Order Spare Parts : The part number and the description of the part required should be invariably mentioned in the order as per the catalogue text.

The latest part number as conveyed through our service circulars should only appear on the order. In case of ordering painted components, colour shade of the components should be mentioned.

The quantity shown against the part number is the quantity per vehicle for that group so that particular quantity should be multiplied by the number of sets required.

3. Part Number System : We have used 8 digit system for part numbers. The model or hardware item is indicated by first two digits or alphanumeric, the next two or four digits indicate main group and the last four or two digits indicate serial number in main group or serial number or subgroup of fastener respectively. Thus the part numbers will be indicated by 2-2-4 or 2-4-2 digit system. Understanding this system will enable you to identify the spare parts easily.

4. Abbreviations : The following abbreviations are used in this catalogue.

Assly	Assembly	V	Volts
N.I.	Not illustrated	W	Watts
C'case	Crankcase	Accl.	Accelerator
Cyl	Cylinder	Comp.	Complete
O/s	Over size	Fr.	Front
Rr.	Rear	Std.	Standard
L	Length	A/t.	Alternate
R.H.	Right hand	L.H.	Left hand
Hex.	Hexagonal	AR	As required

Index

Plate No.	Description	Page No.
1	Cover Cylinder Head	2
2	SAI System	4
3	Cylinder Head	6
4	Valve	8
5	Camshaft / Tensioner	10
6	Cylinder and Piston	12
7	Crankshaft	14
8	Transmission	16
9	Change Drum / Shift Fork	18
10	Gear Change Mechanism	20
11	Engine Assembly / Crankcase RH	22
12	Crankcase LH	24
13	Balancer Idler Gear / Water Pump	26
14	Oil Pump	28
15	Radiator	30
16	Cover Clutch	32
17	Cover Magneto	34
18	Clutch Assly	36
19	Carburettor	38
20	Air Cleaner Complete	40
21	EVAP Mechanism	42
22	Silencer Assembly	44
23	Starter Assembly	46
24	Magneto, CDI & H.T. Coil	48
25	Seat Assembly / Seat Lock	50
26	Engine Mountings	52
27	Frame and Frame Fittings	54
28	Swing Arm / Rear Shock Absorber	56
29	Pillion Foot Rest / Holder	58
30	Mudguard - Front & Rear	60

Index

Plate No.	Description	Page No.
31	Stand Assembly	62
32	Tube / Tyre / Rim	64
33	Front Hub	66
34	Front Master Cylinder	68
35	Front Disc Brake	70
36	Rear Hub	72
37	Rear Disc Brake System	74
38	Rear Brake Pedal	76
39	Handle Bar Assly	78
40	Front Fork	80
40A	Front Fork	82
41	Radiator Covers	84
42	Petrol Tank, Cap Tank and Gauge Fuel	86
43	Fittings - Petrol Tank Cover, Side Covers & Cover Seat	88
44	Fittings - Cover Seat Pulsar 200 NS	90
45	Fittings - Fairing & Petrol Tank Cover - Pulsar 200 AS	92
46	Fittings - Side Covers & Cover Seat Pulsar 200 AS	94
47	Meter Assembly	96
48	Control Cables	98
49	Chain Case and Hugger Assly	100
50	Belly Pan Mounting BS IV	102
51	Head Lamp & Fairing - Pulsar 200 NS	104
52	Head Lamp & Fairing - Pulsar 200 AS	106
53	Indicator Light Assembly	108
54	Tail Lamp Assly / Front Number Plate - Pulsar 200 NS	110

Index



Plate No.	Description	Page No.
55	Tail Lamp Assly / Front Number Plate Pulsar 200 AS	112
56	Electrical Equipments	114
56A	Electrical Equipments	116
57	Tool Kit	118
58	Accessories / Grab Handle	120
59	Painted Parts and Decals BS IV	122
59A	Painted Parts and Decals BS IV	124
60	Painted Parts	126
60A	Painted Parts	128
61	Painted Parts and Decals	130
61A	Painted Parts and Decals	132
62	Painted Parts and Decals (New Decal Scheme As Per Cir IB-166)	134
63	Painted Parts and Decals (Old Decal Scheme Before Cir IB-166)	136
64	Painted Parts and Decals (Old- up tp Oct. 2013_Refer Circular IB-82)	138
64A	Painted Parts and Decals (Old- up tp Oct. 2013_Refer Circular IB-82)	140
65	Painted Parts and Decals	142
65A	Painted Parts and Decals	144
	Exclusive Part List - Iran	145
	Exclusive Part List - Argentina	146
	Kit List	147 TO 154

Index



Plate No.	Description	Page No.
	Amendment Sheet	155 TO 158
	Parts Index	159 TO 178

Pictorial Index

PLATE NO. : 1
COVER CYLINDER HEAD

PAGE NO.
1



PLATE NO. : 2
SAI System

PAGE NO.
3

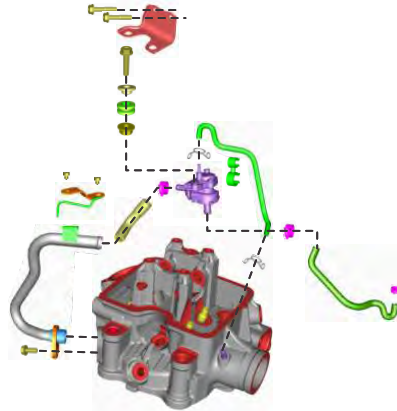


PLATE NO. : 3
CYLINDER HEAD

PAGE NO.
5

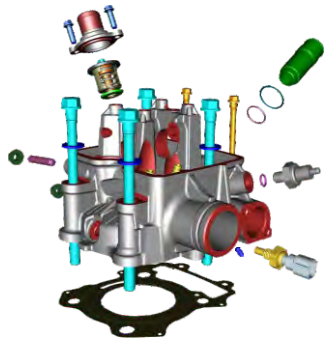
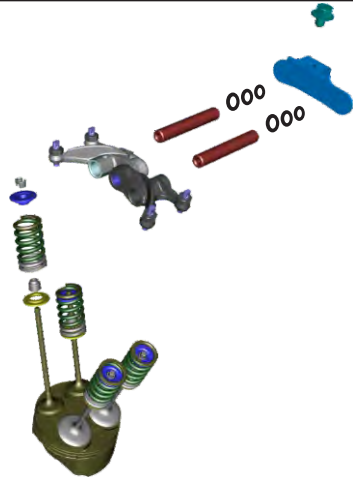


PLATE NO. : 4
VALVE

PAGE NO.
7



Pictorial Index

PLATE NO. : 5
CAMSHAFT / TENSIONER

PAGE NO.
9

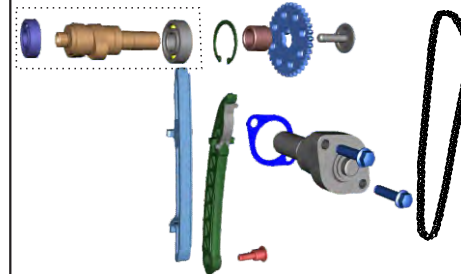


PLATE NO. : 6
CYLINDER & PISTON

PAGE NO.
11

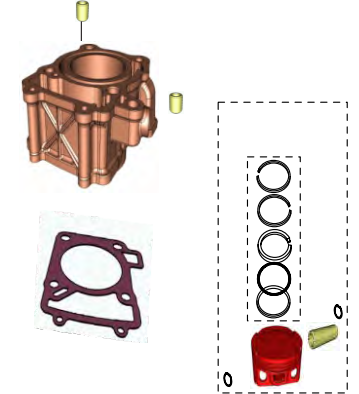


PLATE NO. : 7
CRANKSHAFT

PAGE NO.
13

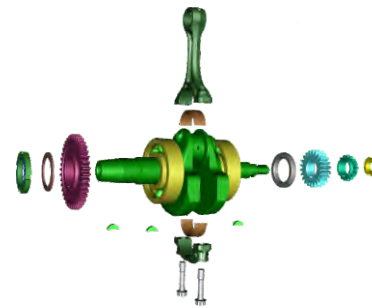


PLATE NO. : 8
TRANSMISSION

PAGE NO.
15



Pictorial Index

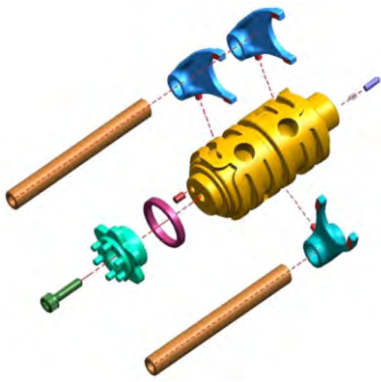
PLATE NO. : 9 CHANGE DRUM / SHIFT FORK	PAGE NO. 17
	

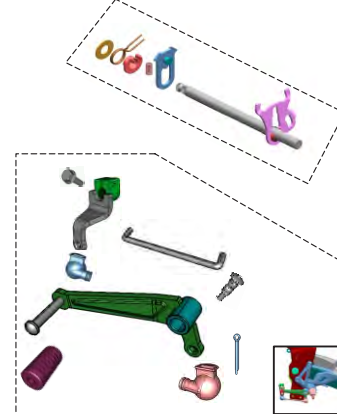
PLATE NO. : 10 GEAR CHANGE MECHANISM	PAGE NO. 19
	

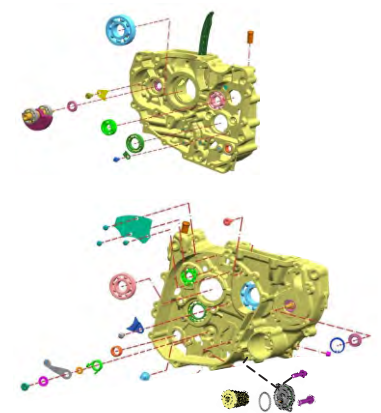
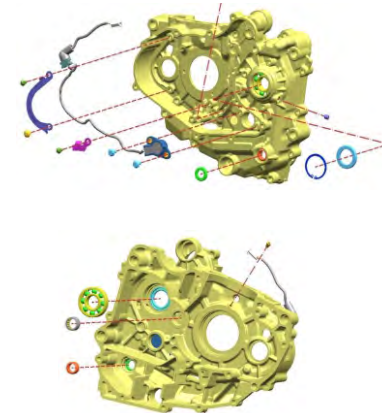
PLATE NO. : 11 ENGINE ASSLY & CRANKCASE RH	PAGE NO. 21
	

PLATE NO. : 12 CRANKCASE LH	PAGE NO. 23
	

Pictorial Index

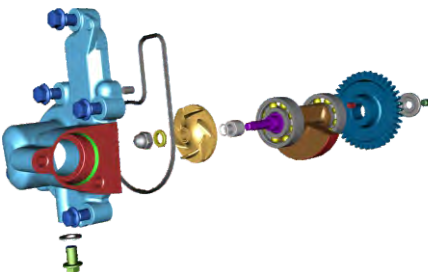
PLATE NO. : 13 BALANCER IDLER GEAR/WATER PUMP	PAGE NO. 25
	


PLATE NO. : 14 OIL PUMP	PAGE NO. 27
	

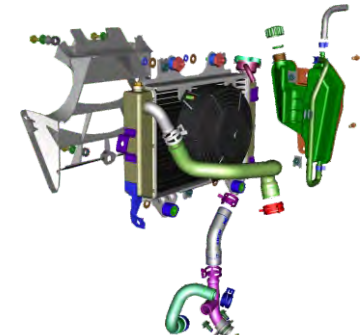
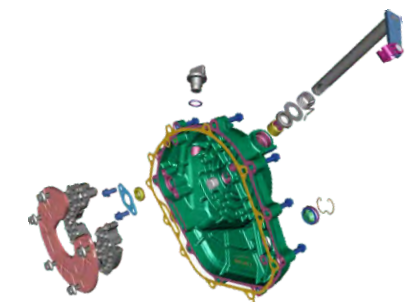
PLATE NO. : 15 RADIATOR	PAGE NO. 29
	

PLATE NO. : 16 COVER CLUTCH	PAGE NO. 31
	

Pictorial Index

PLATE NO. : 17
COVER MAGNETO

PAGE NO.
33

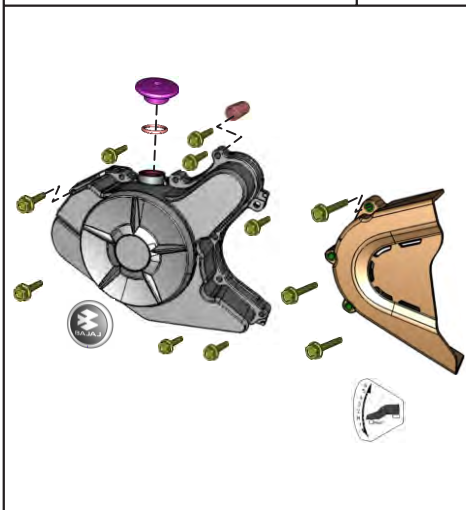


PLATE NO. : 18
CLUTCH ASSEMBLY

PAGE NO.
35

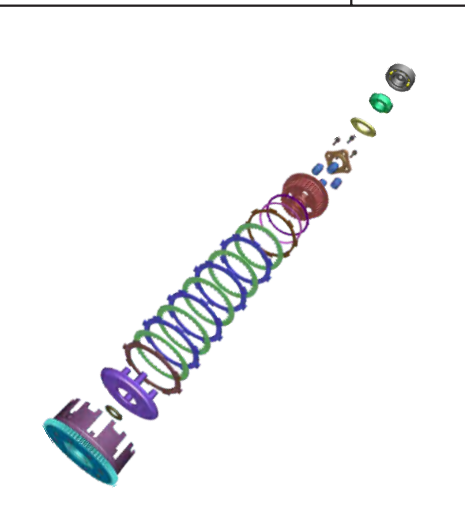


PLATE NO. : 19
CARBURETTOR

PAGE NO.
37

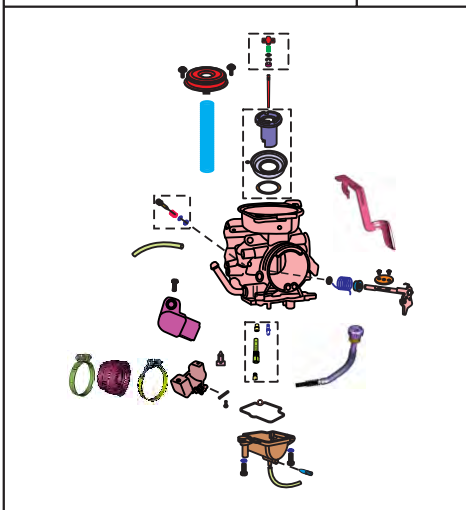


PLATE NO. : 20
AIR CLEANER COMPLETE

PAGE NO.
39



Pictorial Index

PLATE NO. : 21
EVAP MECHANISM

PAGE NO.
41

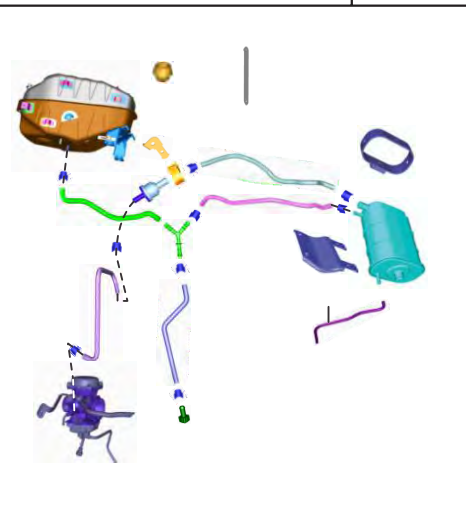


PLATE NO. : 22
SILENCER ASSEMBLY

PAGE NO.
43



PLATE NO. : 23
STARTER ASSEMBLY

PAGE NO.
45

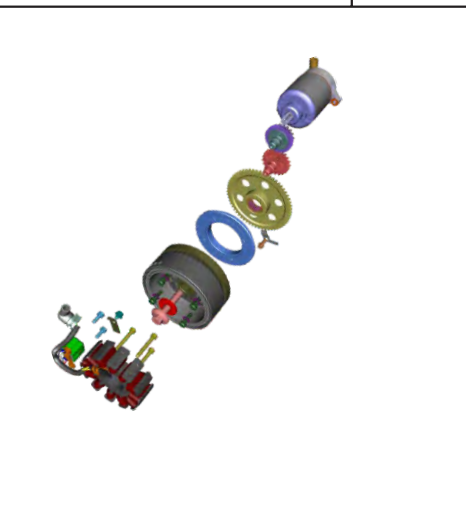
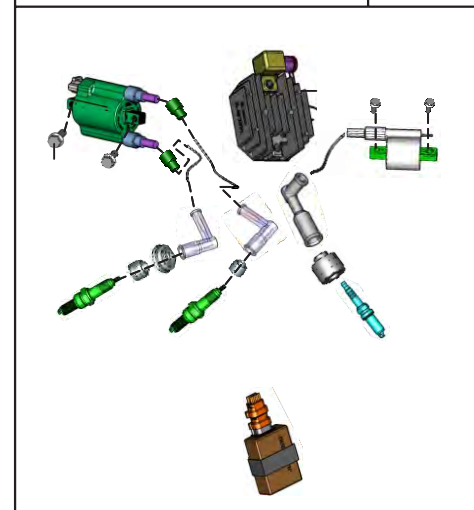


PLATE NO. : 24
MAGNETO, CDI & H.T. COIL

PAGE NO.
47



Pictorial Index

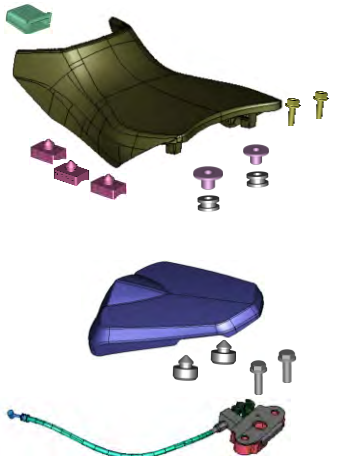
PLATE NO. : 25 SEAT ASSEMBLY / SEAT LOCK	PAGE NO. 49
	

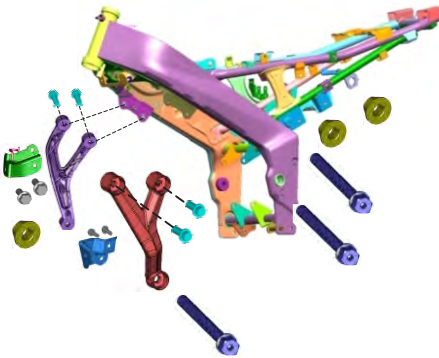
PLATE NO. : 26 ENGINE MOUNTINGS	PAGE NO. 51
	

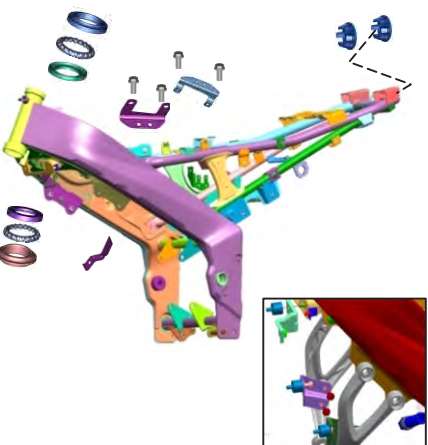
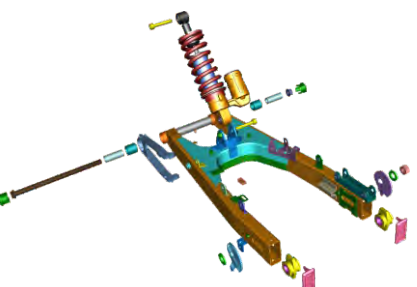
PLATE NO. : 27 FRAME & FITTINGS	PAGE NO. 53
	

PLATE NO. : 28 SWING ARM/REAR SHOCK ABSORBER	PAGE NO. 55
	

Pictorial Index

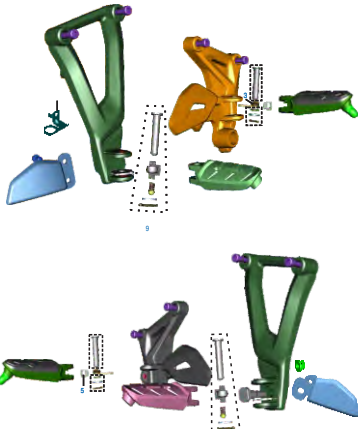
PLATE NO. : 29 PILLION FOOT REST / HOLDER	PAGE NO. 57
	

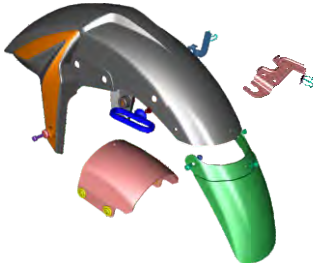
PLATE NO. : 30 MUD GUARD - FRONT & REAR	PAGE NO. 59
	



PLATE NO. : 31 STAND ASSEMBLY	PAGE NO. 61
	

PLATE NO. : 32 TUBE / TYRE / RIM	PAGE NO. 63
	

Pictorial Index

PLATE NO. : 33
FRONT HUB

PAGE NO.
65

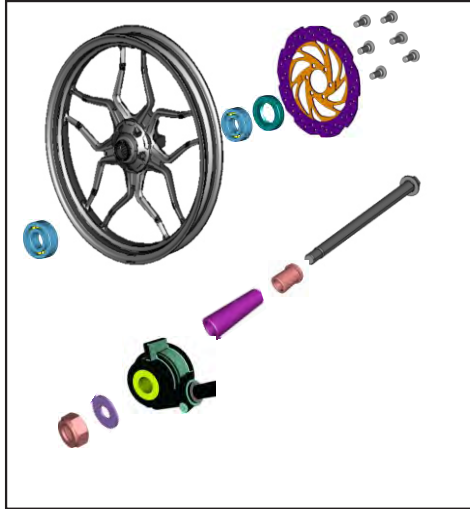


PLATE NO. : 34
FRONT MASTER CYLINDER

PAGE NO.
67

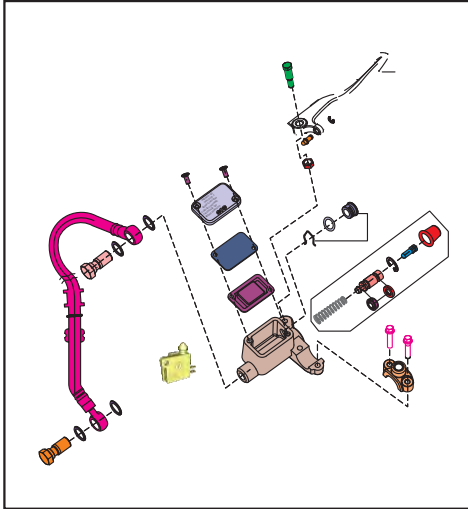


PLATE NO. : 35
FRONT DISC BRAKE

PAGE NO.
69

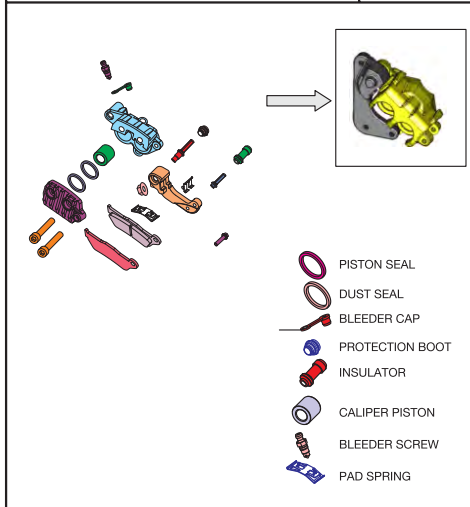
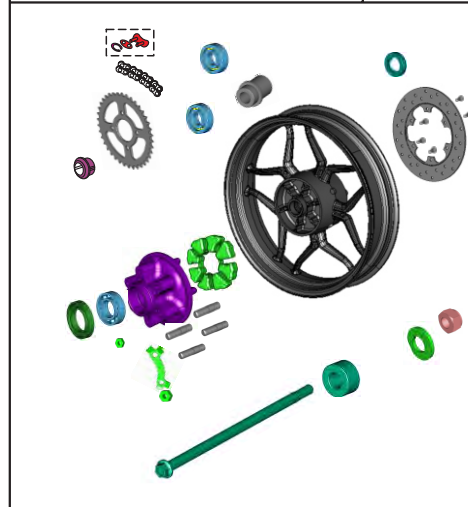


PLATE NO. : 36
REAR HUB

PAGE NO.
71



Pictorial Index

PLATE NO. : 37
REAR DISC BRAKE SYSTEM

PAGE NO.
73

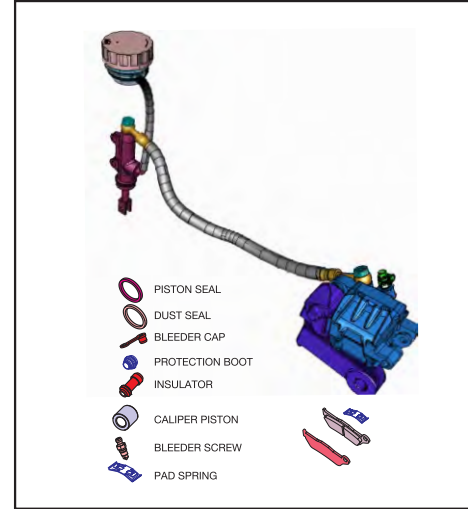


PLATE NO. : 38
REAR BRAKE PEDAL

PAGE NO.
75

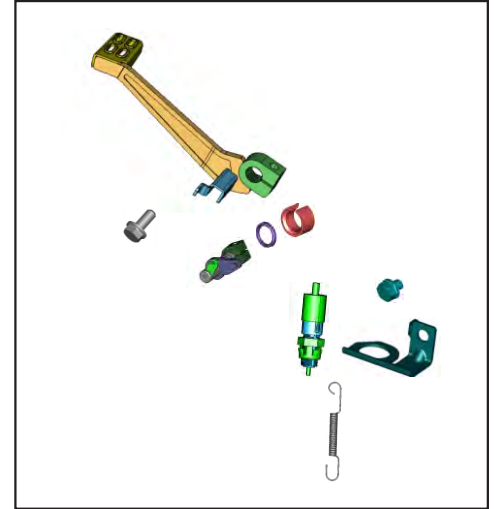


PLATE NO. : 39
HANDLE BAR ASSEMBLY

PAGE NO.
77

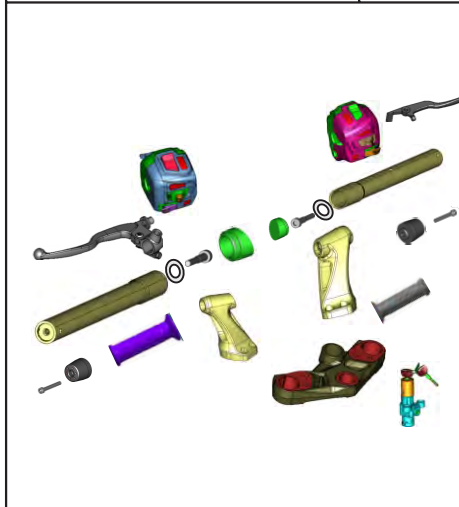
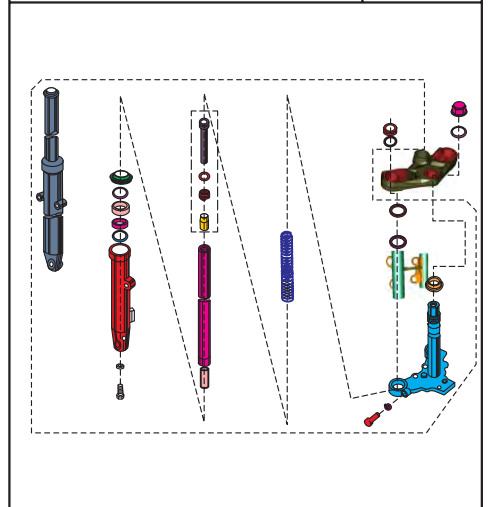


PLATE NO. : 40
FRONT FORK

PAGE NO.
79



Pictorial Index

<p>PLATE NO. : 40 A FRONT FORK</p>	<p>PAGE NO. 81</p>	<p>PLATE NO. : 41 RADIATOR COVERS</p>	<p>PAGE NO. 83</p>

<p>PLATE NO. : 42 PETROL TANK, CAP TANK & GAUGE FUEL</p>	<p>PAGE NO. 85</p>	<p>PLATE NO. : 43 FITTING PETROL TANK COVER, SIDE COVERS & SEAT COVER</p>	<p>PAGE NO. 87</p>

Pictorial Index

<p>PLATE NO. : 44 FITTING SEAT COVER</p>	<p>PAGE NO. 89</p>	<p>PLATE NO. : 45 FAIRING AND PETROL TANKK COVER</p>	<p>PAGE NO. 91</p>

<p>PLATE NO. : 46 FITTINGS - SIDE COVER AND SEAT COVER</p>	<p>PAGE NO. 93</p>	<p>PLATE NO. : 47 METER ASSEMBLY</p>	<p>PAGE NO. 96</p>

Pictorial Index

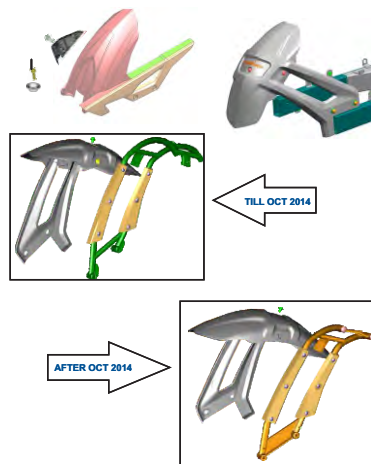
PLATE NO. : 48
CONTROL CABLES

PAGE NO.
97



PLATE NO. : 49
CHAIN COVER AND MUD GUARD

PAGE NO.
99



Pictorial Index

PLATE NO. : 52
HEADLAMP FAIRING - PULSAR 200 AS

PAGE NO.
105

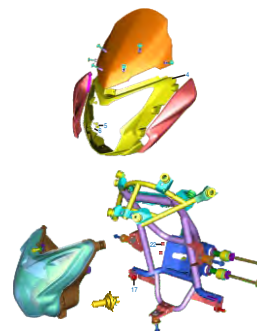


PLATE NO. : 53
INDICATOR LIGHT ASSEMBLY

PAGE NO.
107

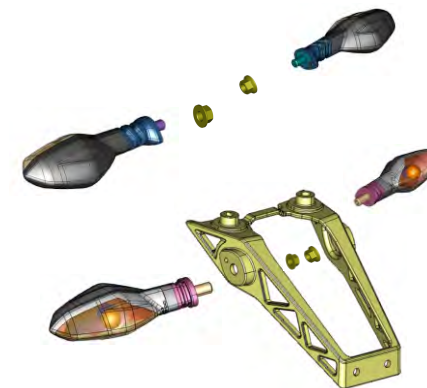


PLATE NO. : 50
BELLY PAN MOUNTING BS IV

PAGE NO.
101

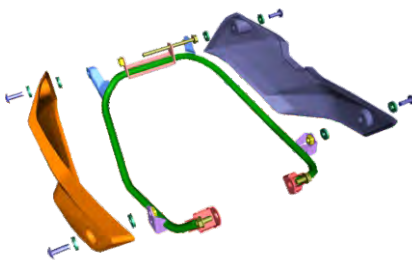


PLATE NO. : 51
HEADLAMP FAIRING - PULSAR 200 NS

PAGE NO.
103

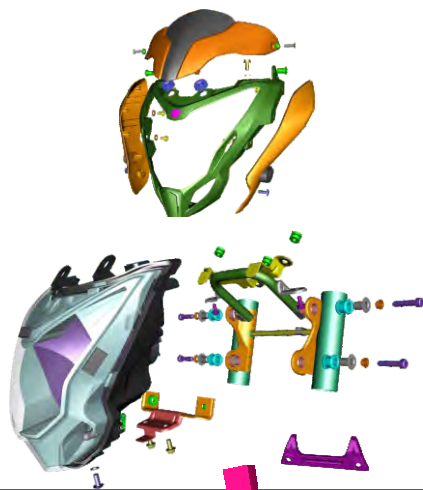


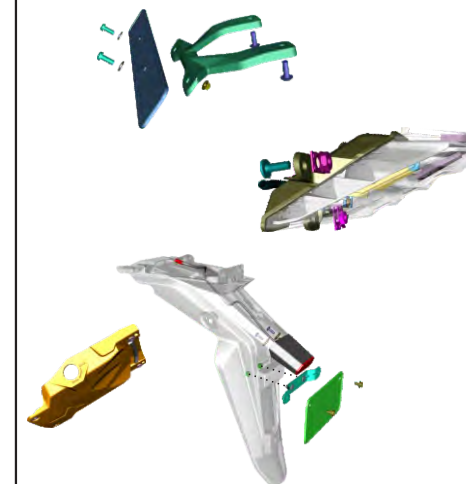
PLATE NO. : 54
TAIL LAMP AND FRONT NUMBER
PLATE - PULSAR 200 NS

PAGE NO.
109



PLATE NO. : 55
TAIL LAMP AND FRONT NUMBER
PLATE - PULSAR 200 AS

PAGE NO.
111



Pictorial Index

PLATE NO. : 56
ELECTRICAL EQUIPMENTS

PAGE NO.
113

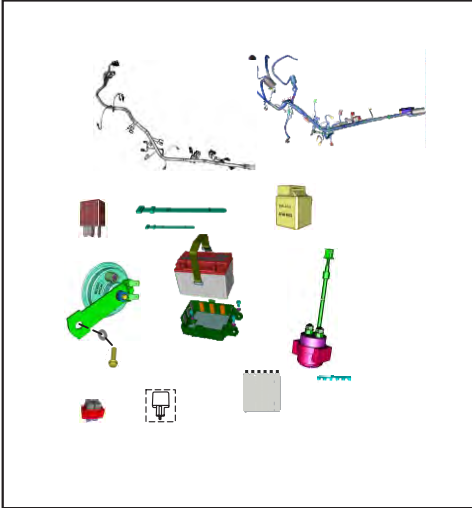


PLATE NO. : 56 A
ELECTRICAL EQUIPMENTS

PAGE NO.
115

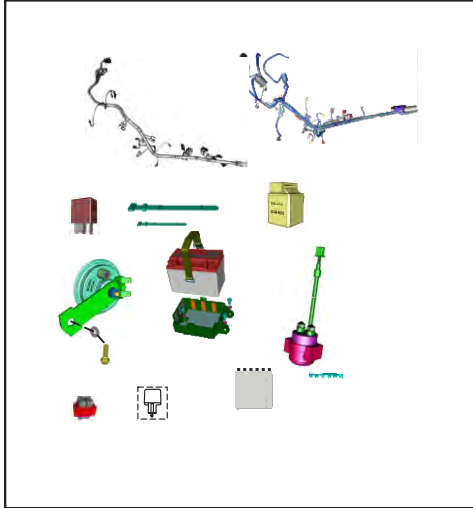


PLATE NO. : 57
TOOL KIT

PAGE NO.
117

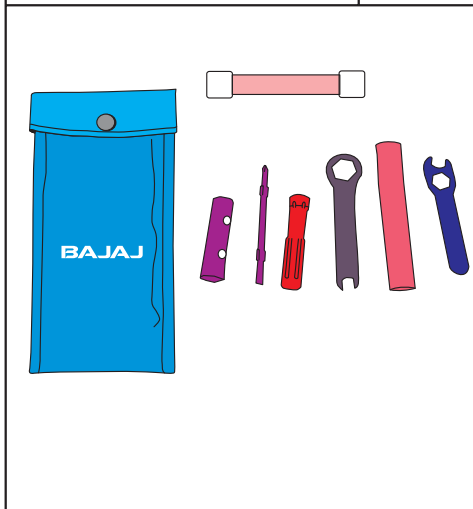
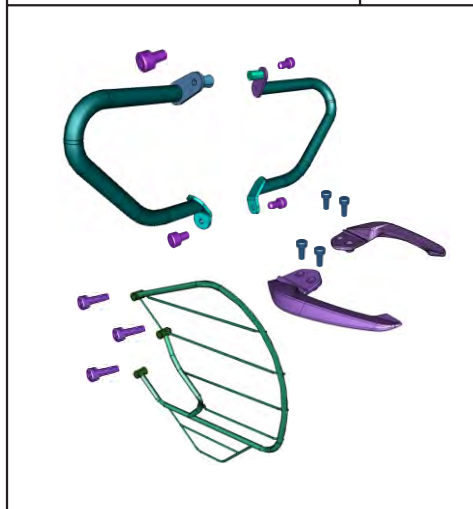


PLATE NO. : 58
GRAB HANDLE AND SAREE GUARD

PAGE NO.
119



Pictorial Index

PLATE NO. : 59
GRAB HANDLE AND SAREE GUARD

PAGE NO.
121

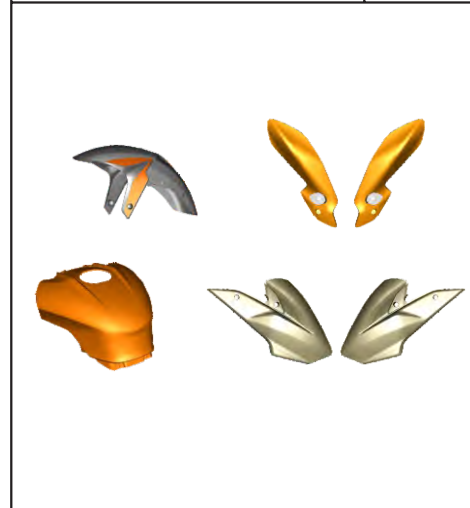


PLATE NO. : 59 A
GRAB HANDLE AND SAREE GUARD

PAGE NO.
123

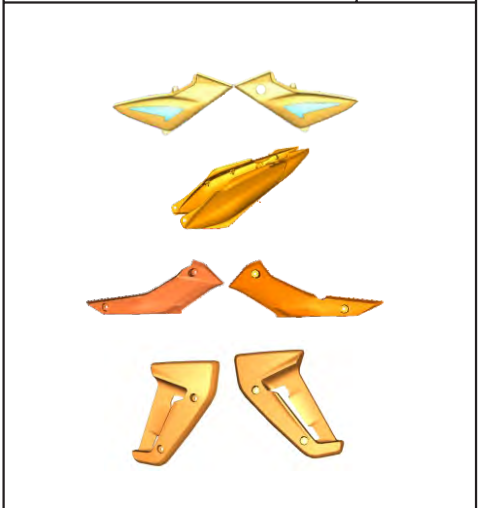


PLATE NO. : 60
PAINTED PARTS

PAGE NO.
125

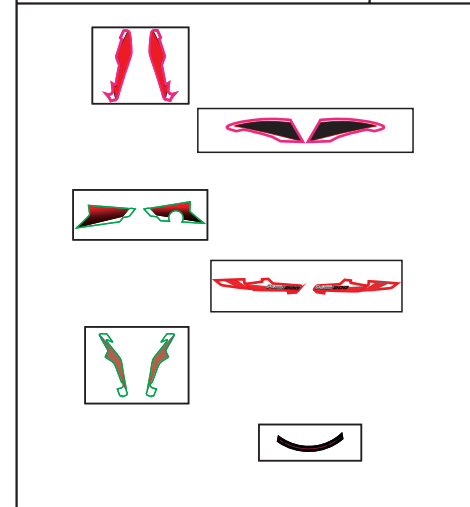
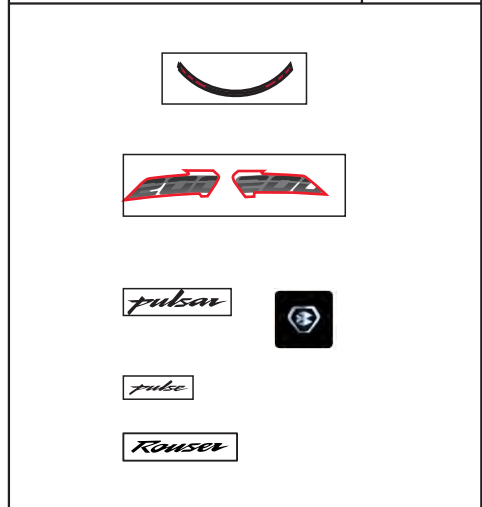


PLATE NO. : 60 A
PAINTED PARTS

PAGE NO.
127



Pictorial Index

PLATE NO. : 61 / 61 A
PAINTED PARTS AND DECALS

PAGE NO.
129 / 131

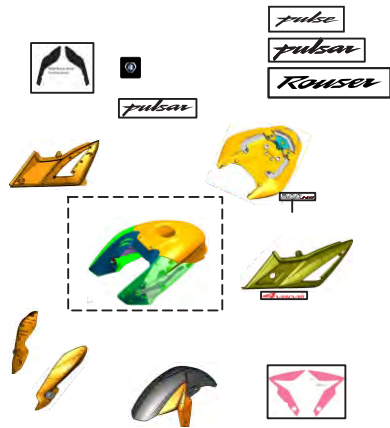


PLATE NO. : 62
PAINTED PARTS AND DECALS
New Decal Scheme As Per Cir IB-166

PAGE NO.
133

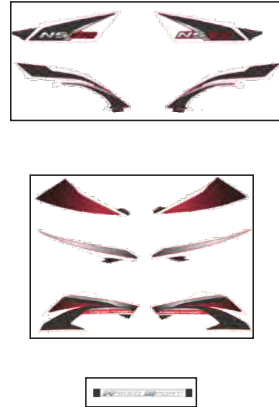


PLATE NO. : 63
PAINTED PARTS AND DECALS
Old Decal Scheme Before Cir IB-166

PAGE NO.
135

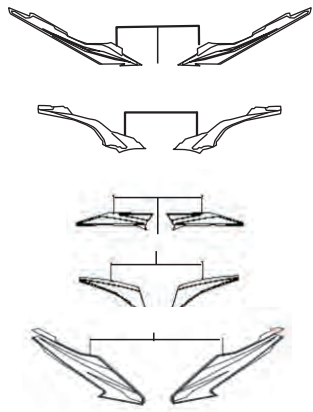
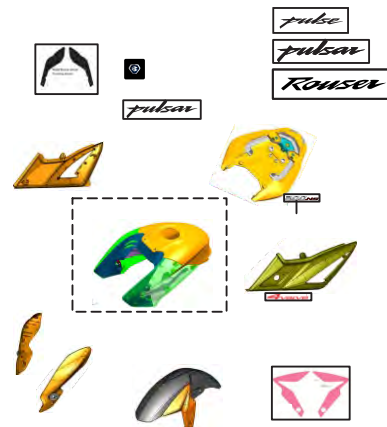


PLATE NO. : 64 / 64 A
PAINTED PARTS AND DECALS
(Old- up to Oct. 2013_Refer Circular IB-82)

PAGE NO.
137 / 139



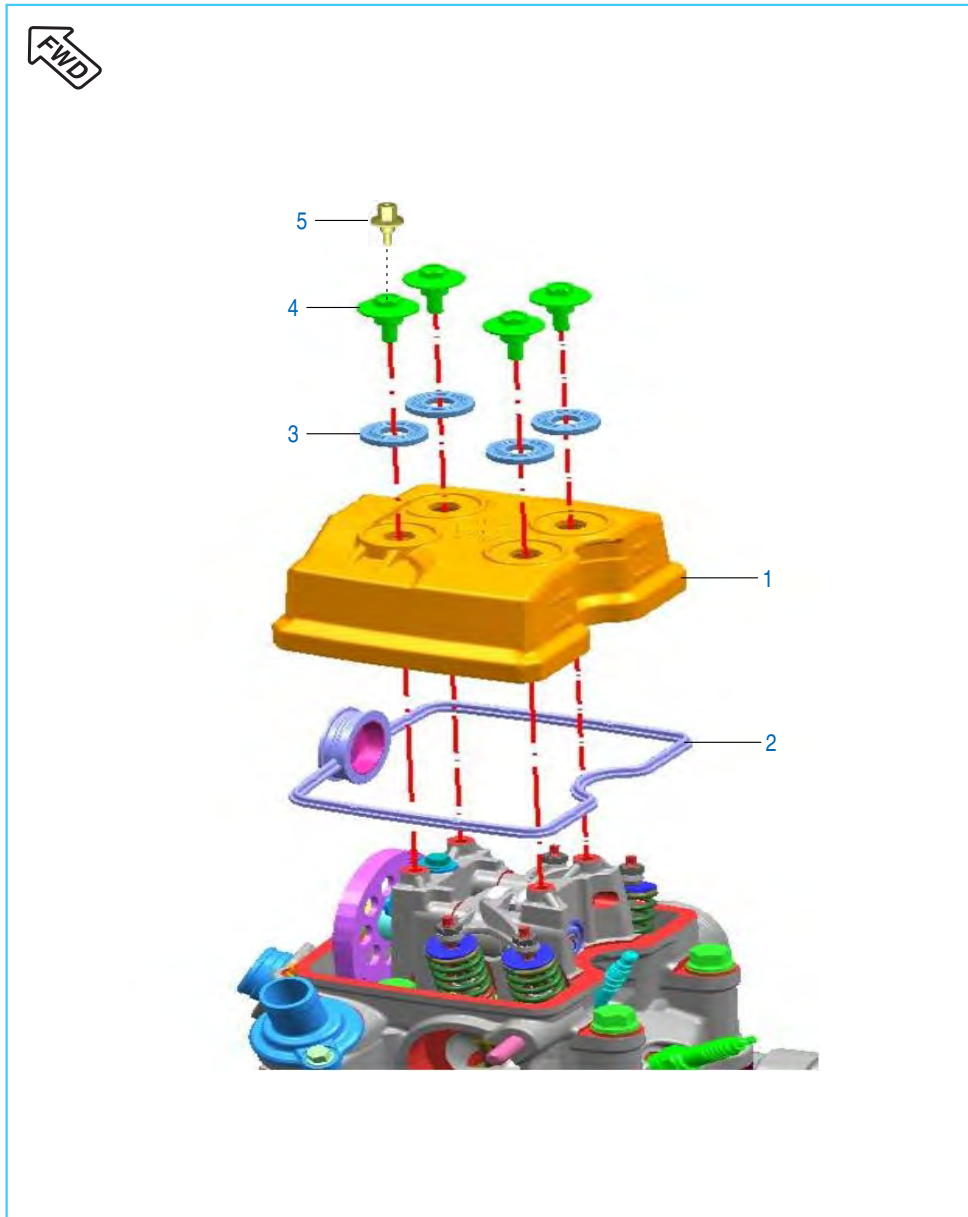
Pictorial Index

PLATE NO. : 65/ 65 A
PAINTED PARTS AND DECALS

PAGE NO.
141 / 143

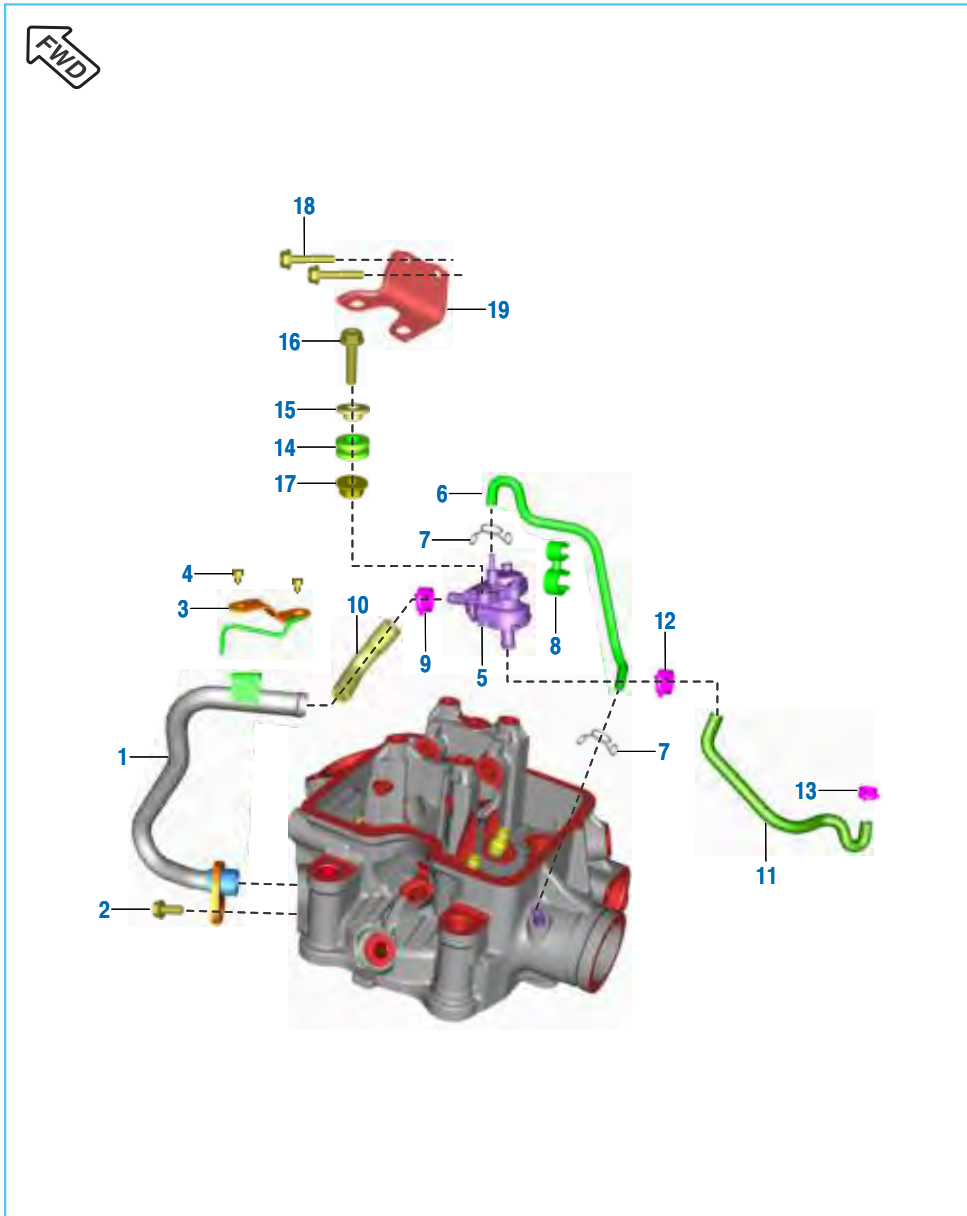


Cover Cylinder Head



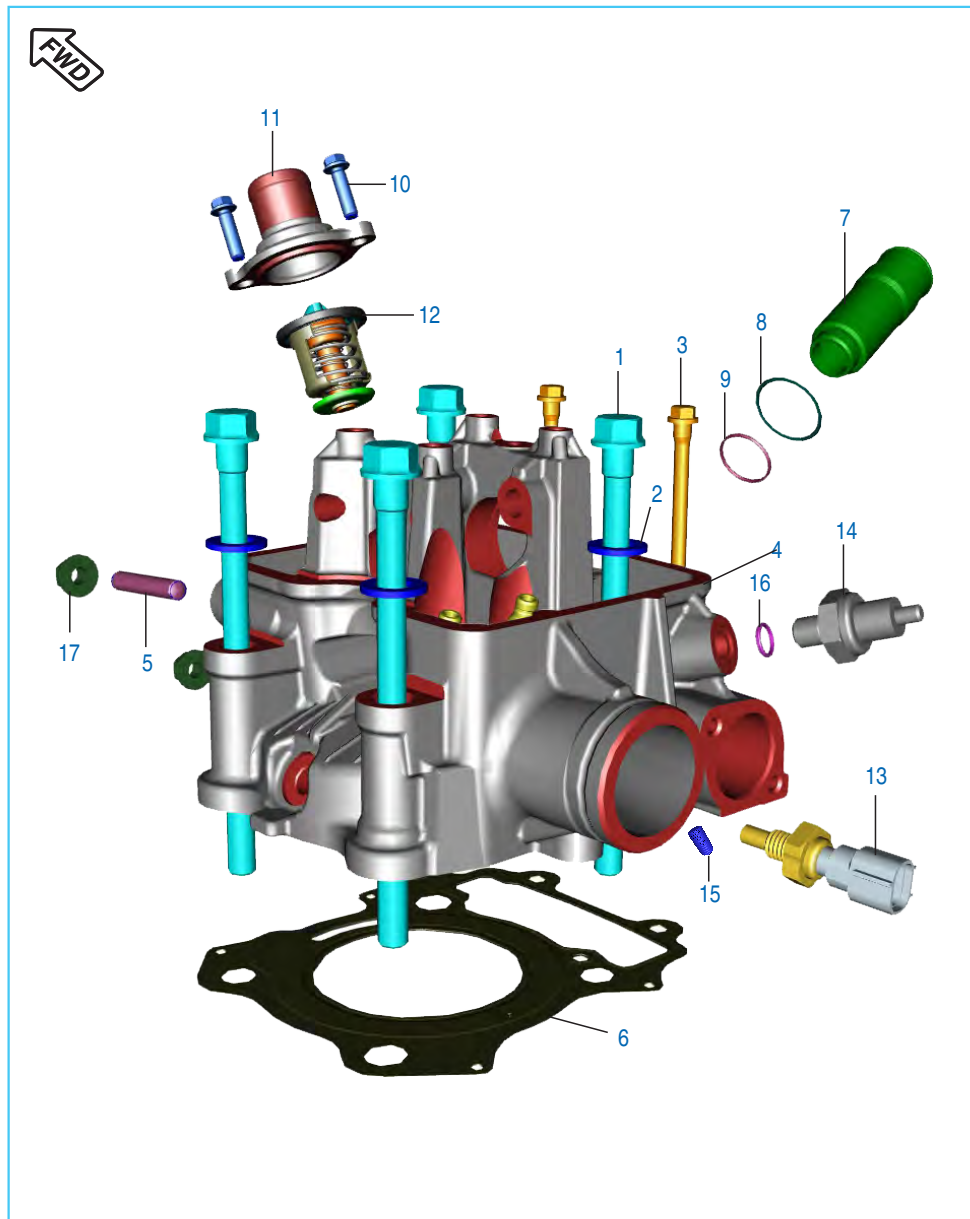
No.	Part No.	Description	Qty.		Remarks
			200 NS	200 AS	
1	JL 5110 02	Cover Cylinder Head	1	1	
2	JL 5110 01	Gasket Head Cover(Rubber)	1	1	
3	JG 5110 21	Washer	4	4	
4	JG 5110 22	Bolt Special	4	4	
5	LA D001 29	Bolt Flange	1	-	BS IV

SAI System



No.	Part No.	Description	Qty.		Remarks
			200 NS	200 AS	
1	JL 5110 60	Assly SAI Pipe With Hose & Clamp	1	-	BS IV
2	LA D000 77	Bolt Flanged M6 x 16	1	-	BS IV
3	JL 5110 61	Bracket For SAI Pipe	1	-	BS IV
4	KA DM05 08	Bolt Flanged	1	-	BS IV
5	PA 5810 38	Unit SAI	1	-	BS IV
6	JL 5824 02	Hose SAI Unit To Intake Manifold	1	-	BS IV
7	33 1410 08	Clamp	1	-	BS IV
8	AA 1410 67	Clip Swivel Spacer	1	-	BS IV
9	JL 5810 66	Clamp SAI Pipe	1	-	BS IV
10	JL 5110 58	Hose Sai Unit To Exhaust Port	1	-	BS IV
11	JL 5824 00	Hose SAI Unit To Airfilter	1	-	BS IV
12	JE 5810 39	Band Clip Sai Hose Outlet Tube	1	-	BS IV
13	JL 5810 65	Clamp Hose SAI	1	-	BS IV
14	JD 1138 14	Grommet Sai Unit	1	-	BS IV
15	JD 1138 15	Sleeve Sai Unit	1	-	BS IV
16	KA DF06 30	Bolt Flanged	1	-	BS IV
17	KC GF06 06	Nut Hex Flanged	1	-	BS IV
18	KA DD06 35	Bolt Flanged	1	-	BS IV
19	JL 1138 27	Bracket SAI Unit Mtg - Loose	1	-	BS IV

Cylinder Head



No.	Part No.	Description	Qty.		Remarks
			200 NS	200 AS	
1	JG 5410 68	Hex Flange Head Bolt M10	4	4	
2	LD A000 08	Washer 11.2*20*2T	4	4	
3	JL 5110 09	M6 Stud Bolt	2	2	
4	36 JL00 10	Cylinder Head	1	1	
	JL 5110 53	Assly Cylinder Head	1	-	BS IV
5	JG 5110 46	Stud (M8*1.25)	2	2	
6	JL 5110 22	Gasket Cylinder Head	1	1	
7	JL 5112 19	Sleeve Spark Plug	1	1	
8	39 2629 21	'O' Ring Sleeve	1	1	Top side
9	39 1283 21	'O' Ring Sleeve	1	1	Bottom side
10	39 1673 04	Bolt - Flange :- M6	2	-	
	KA EQ06 20	Bolt	-	2	
11	JL 5110 29	Cover Thermostat	1	1	
12	JL 6012 37	Thermostat Assembly	1	1	
12A	JL 6012 25	Seal Thermostat	1	1	N.I
13	JG 3514 00	Coolant Water Temp Sensor	1	1	
14	DK 1012 25	Switch Oil Pressure	1	1	
15	39 2608 01	Grub Screw	1	1	
16	39 2699 20	O'Ring	1	1	
17	LC G000 06	Nut Hex Flanged	2	2	

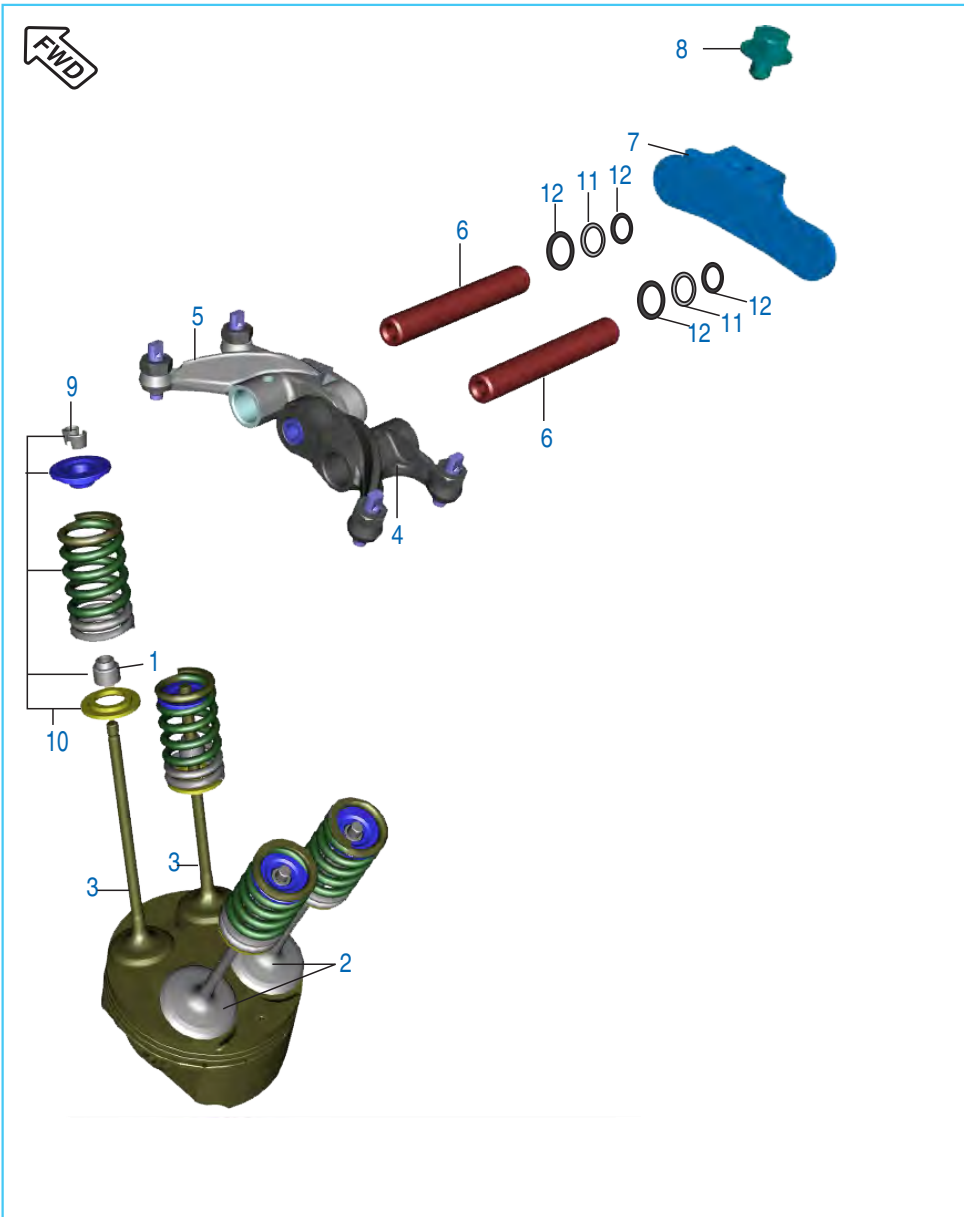
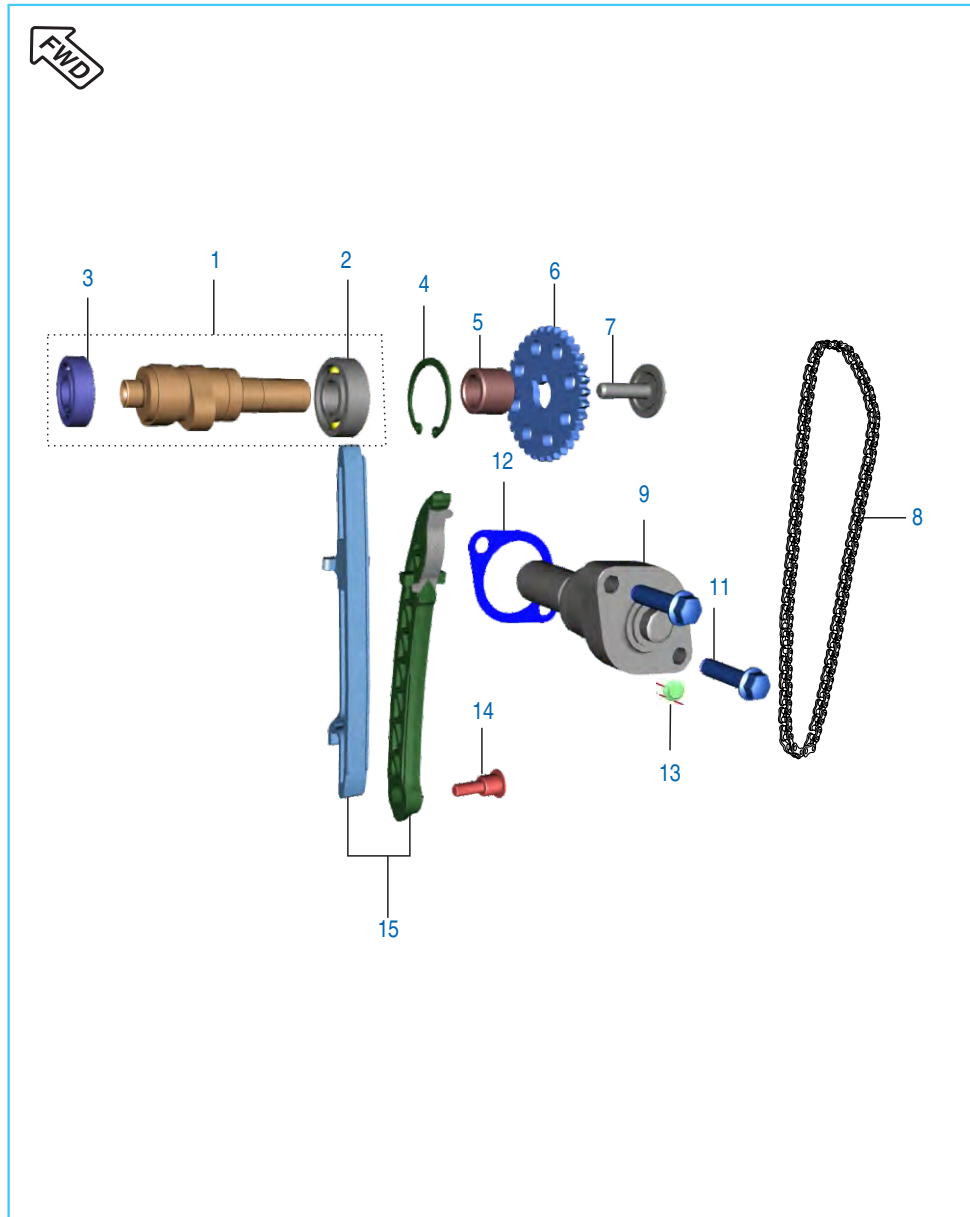


Plate No.: 4

Valve

No.	Part No.	Description	Qty.		Remarks
			200 NS	200 AS	
1	39 2017 19	Seal - Oil	4	4	
2	JL 5110 10	Valve Intake	2	2	
3	JL 5110 11	Valve Exhaust	2	2	
4	DT 5112 61	Assembly Rocker Arm Intake	1	1	
5	DT 5112 62	Assembly Rocker Arm Exhaust	1	1	
6	JL 5112 05	Rocker Arm Shaft	2	2	
7	JF 5112 07	Plate Stopper Rocker Arm	1	1	
8	LA E000 16	Bolt Flanged M5X0.8X6L-Precoated	1	1	
9	DG 1010 29	Cotter Valve	8	8	
10	36 JL00 11	Valve Repair Kit	4	4	
11	DH 1012 95	Wave Washer	2	2	
12	39 2440 11	Plain Washer	4	4	

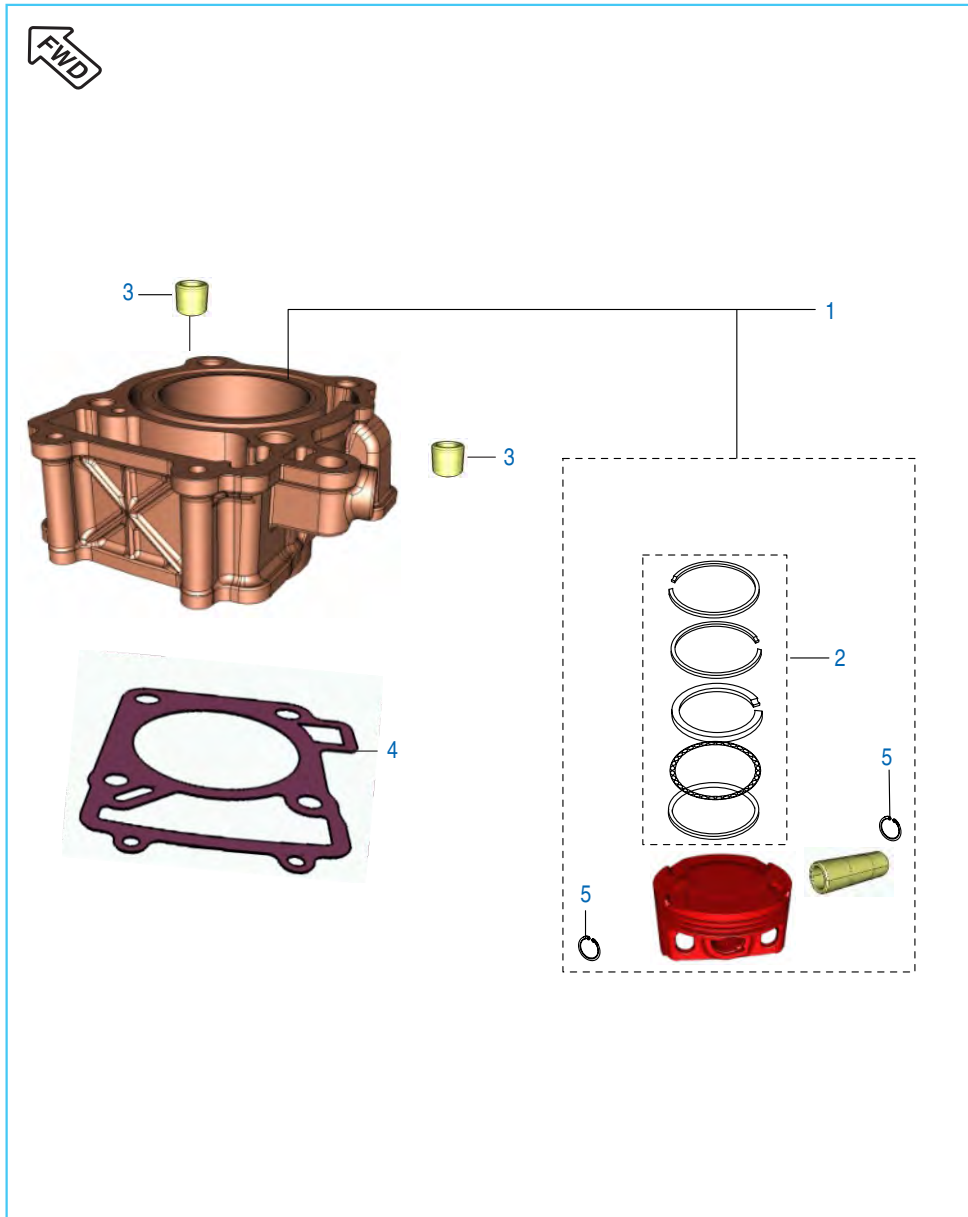


Front Wheel Direction

Plate No.: 5

Camshaft / Tensioner

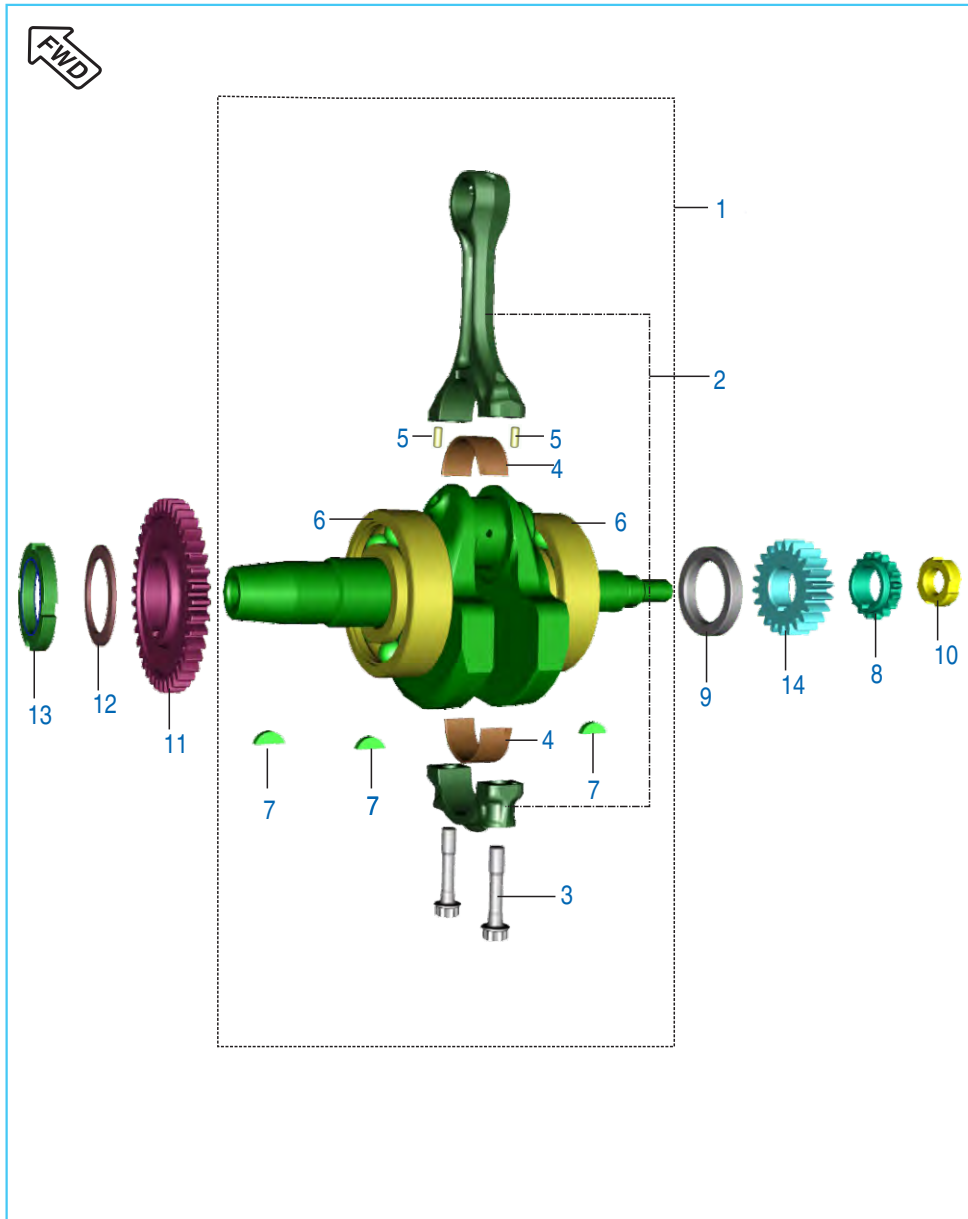
No.	Part No.	Description	Qty.		Remarks
			200 NS	200 AS	
1	JF 5112 28	Assembly Camshaft	1	1	
	DT 5112 39	Assembly Camshaft	1	-	BS IV
2	JG 5312 20	Bearing - Ball 6202/HN3	1	1	
3	AP 1012 36	Bearing - Ball :- 12 X 28 X 8	1	1	
4	LE B000 01	Circlip - Internal	1	1	
5	JL 5112 21	Spacer Camshaft	1	1	
6	JL 5112 20	Sprocket Camshaft	1	1	
	JL 5112 31	Sprocket Camshaft	1	-	BS IV
7	DU 1012 25	Bolt Special Flanged (Camshaft)	1	-	
	JG 5112 69	Bolt Special Flanged	-	1	
8	JL 5112 22	Timing Chain	1	1	
9	JC 1010 34	Tensioner Assembly	1	1	
10	39 2669 21	Ring - O (Tensioner Bolt)	1	1	N.I.
11	KA DQ06 20	Bolt Hexagonal	2	-	
	KA EQ06 20	Bolt Hexagonal	-	2	
12	CS 1011 28	Gasket	1	1	
13	JG 5112 70	Bolt Flanged M6X1X6L-Special	1	1	
14	DH 1013 92	Chain Guide Pivot Bolt	1	1	
15	36 JL00 01	Kit Cam Chain Guide	1	1	



Cylinder and Piston

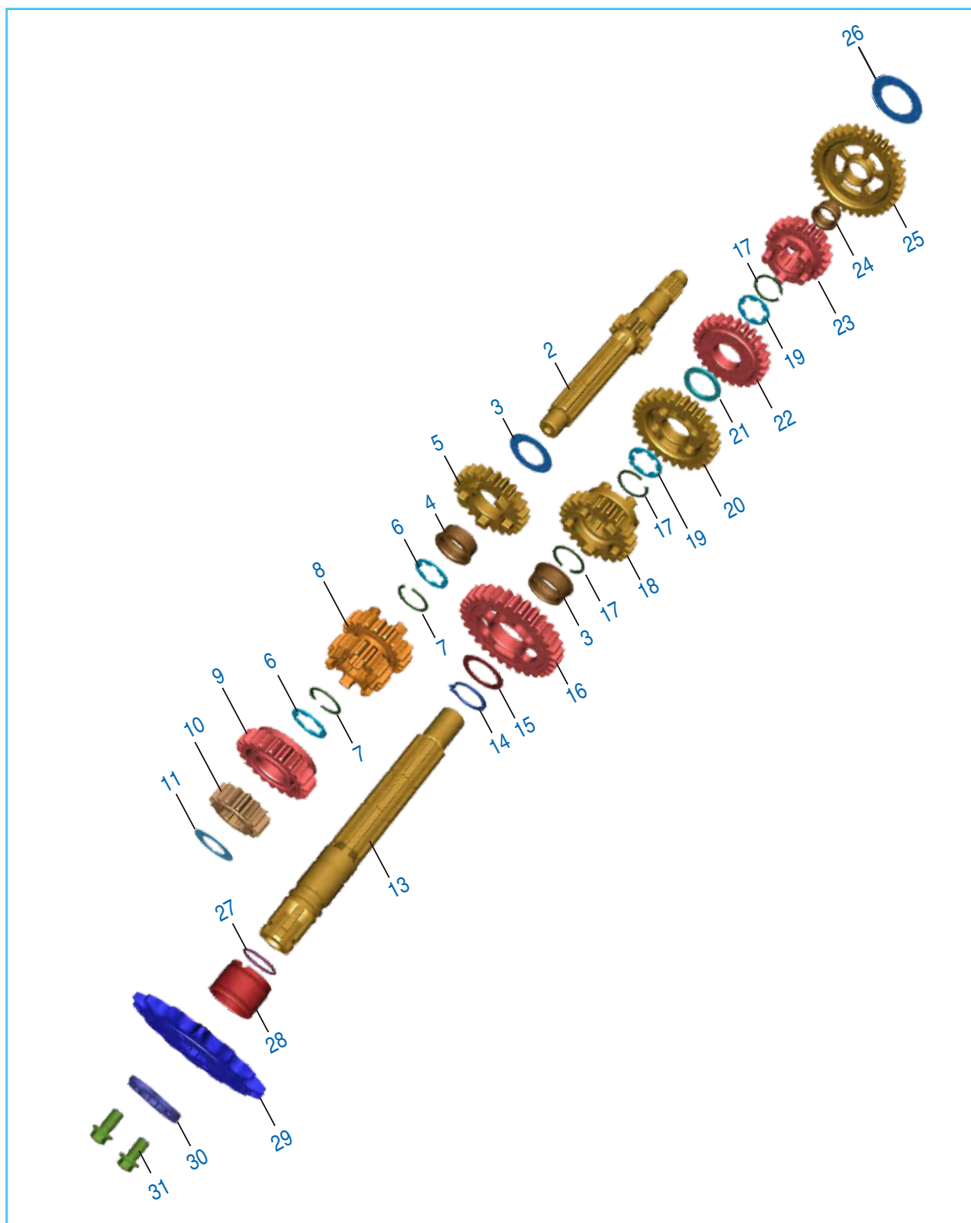
No.	Part No.	Description	Qty.		Remarks
			200 NS	200 AS	
1	36 JL00 07	Kit Asly Block Piston	1	1	
2	36 JU00 01	Kit Piston Ring	1	1	
3	39 2181 06	Pin - Hollow Dowel :- 14 X 20	2	2	
4	JL 5210 02	Gasket Cylinder Block	1	1	
5	39 2132 17	Ring - Snap	2	2	

Crankshaft



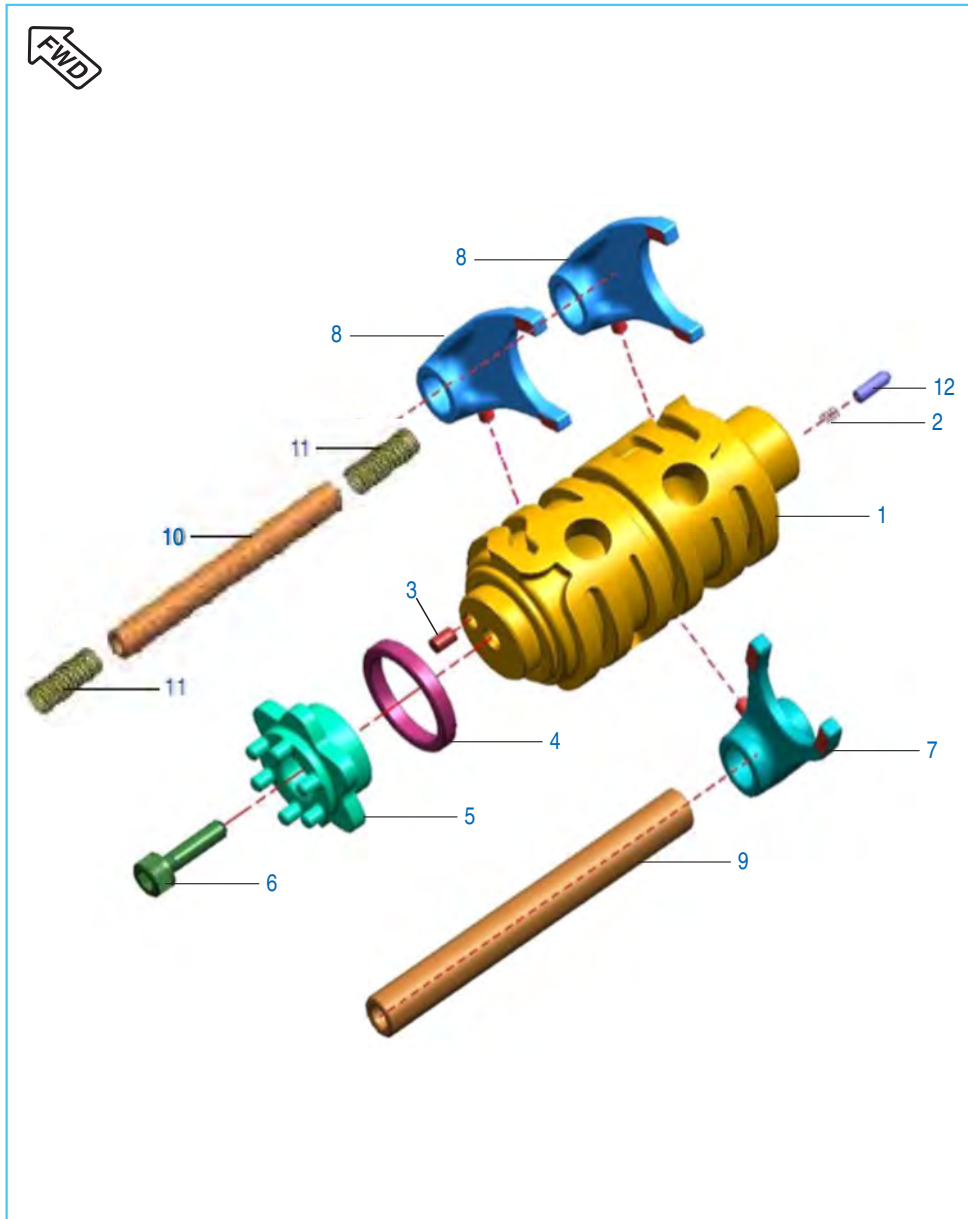
No.	Part No.	Description	Qty.		Remarks
			200 NS	200 AS	
1	36 JU00 36	Kit Crankshaft Assembly	1	1	Kit consists 1 qty of 39193120
2	JF 5310 07	Conrod Assly Compl	1	1	
3	JF 5310 14	Bolt (Jf Con Rod)	2	2	
4	JL 5310 21	Bush Big End	2	2	
5	39 2203 07	Pin - Parallel	2	2	
6	39 1931 20	Bearing - Ball : 28 X 68 X 18	2	2	
7	31 1011 73	Key-Woodruff for Crankshaft Cl. Side	3	3	Not part of assly.
8	JG 5310 27	Sprocket Crankshaft	1	1	
9	JG 5310 31	Spacer Crankshaft	1	1	
10	LC D000 01	Nut Sprocket Drive Lock	1	1	
11	JG 5310 41	Balancer Drive Gear	1	1	
12	JG 5310 39	Beleville Washer	1	-	
	LD H000 02	Beleville Washer	-	1	
13	JG 5310 40	Nut Balancer Drive Lock	1	1	
14	JG 5512 16	Gear Drive	1	1	

Transmission



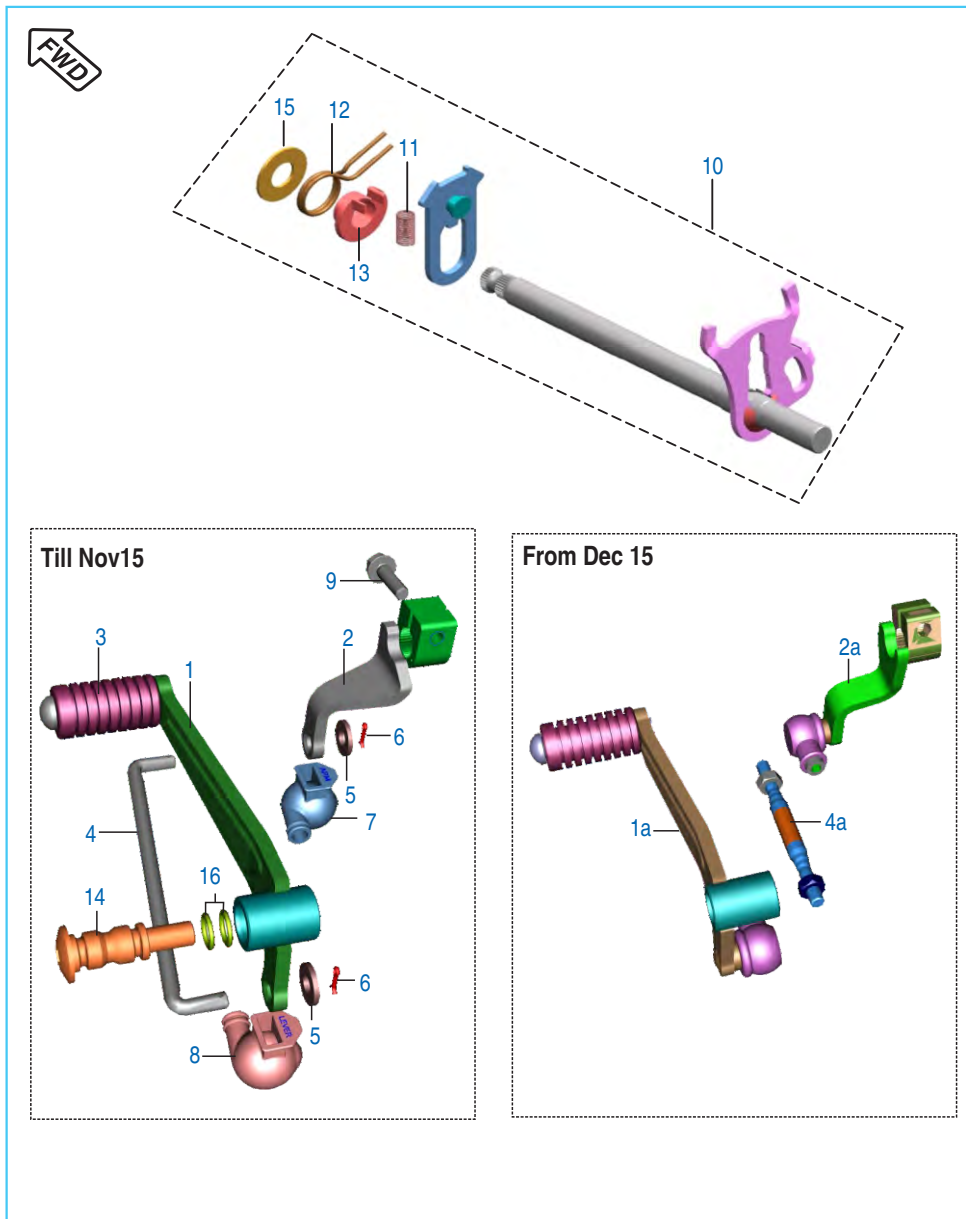
No.	Part No.	Description	Qty.		Remarks
			200 NS	200 AS	
1	JG 5510 28	Shaft Input T/M Assly	1	1	N.I
2	JG 5510 27	Shaft Input T/M Comp	1	1	
3	39 2158 11	Washer - Plain	1	1	
4	JG 5510 13	Bush 6th Drive / Bush 2nd Driven	2	2	
5	JG 5512 13	Gear 6th Drive	1	1	
6	JG 5510 20	Washer Splined	2	2	
7	BF 5510 37	Ring - Snap	2	2	
8	JG 5512 14	Gear Drive Multiple 3&4	1	1	
9	JG 5512 20	Gear 5th Drive	1	1	
10	JG 5512 27	Gear 2nd Drive	1	1	
11	JG 5510 22	Washer - Plain 2ng Gear I/P Shaft	1	1	
12	JG 5510 26	Output Shaft Assy	1	1	N.I
13	JG 5510 25	Output Shaft Assy With Plug	1	1	
14	DH 1012 35	Circlip	1	1	
15	39 2166 11	Washer Special	1	1	
16	JG 5512 28	Gear 2nd Driven	1	1	
17	BF 5510 37	Ring - Snap	2	2	
18	JG 5512 22	Gear 5th Driven	1	1	
19	JG 5510 20	Washer - Plain 2ng Gear I/P Shaft	2	2	
20	JG 5512 23	Gear 3rd Driven	1	1	
21	JG 5510 21	Washer Plain O/P Shaft	1	1	
22	JG 5512 15	Gear 4th Driven	1	1	
23	JG 5512 24	Gear 6th Driven	1	1	
24	JG 5510 00	Bush 1st Driven	1	1	
25	JG 5512 25	Gear 1st Driven	1	1	
26	JG 5510 21	Washer Plain O/P Shaft	1	1	
27	DK 1013 52	O-Ring Sprocket Collar(17.5*1.5)	1	1	
28	JG 5510 10	Collar Sprocket	1	1	
	JG 5510 31	Collar Sprocket	1	-	BS IV
29	DV 1010 48	Sprocket Output (14T)	1	1	
30	DJ 1013 12	Plate Drive Sprocket	1	1	
31	LA E000 17	Bolt Flanged M6X1X10L-Precoated	2	2	

Change Drum / Shift Fork



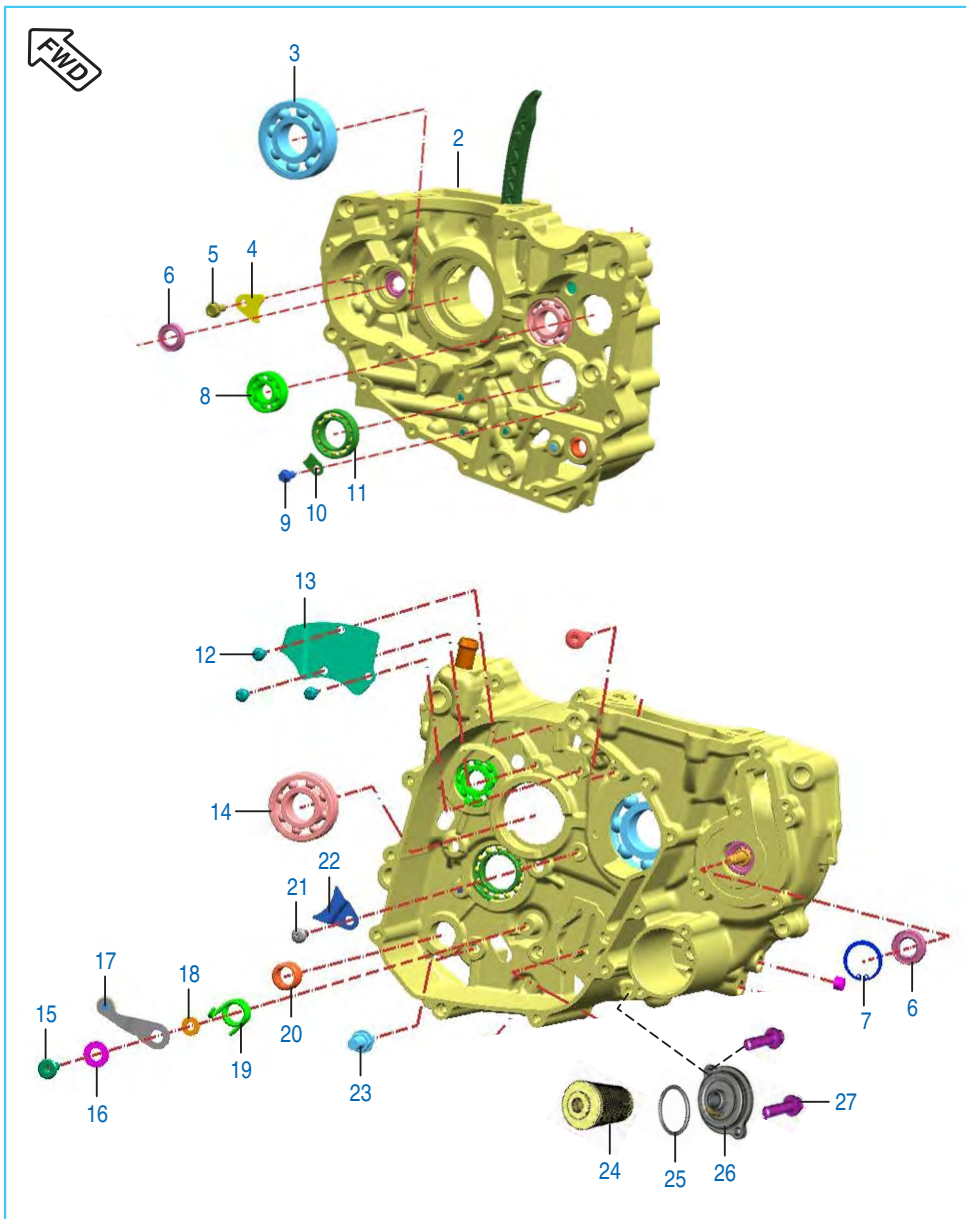
No.	Part No.	Description	Qty.		Remarks
			200 NS	200 AS	
1	JG 5610 11	Drum Complete Gear Shift	1	1	
2	EC 5610 23	Spring Gear Switch Indicator	1	1	
3	39 2606 07	Pin - Parallel	1	1	
4	JG 5610 10	Spacer-Guide Gear Shift	1	1	
5	JG 5612 22	Guide Gear Shift	1	1	
6	LA C000 24	Bolt Socket Head M6X1X20L	1	1	
7	JG 5610 12	Fork Gear Shift Input	1	1	
8	JG 5610 13	Fork Gear Shift Output	2	2	
9	JG 5610 16	Shaft Gear Shift Fork	1	1	
10	JG 5612 25	Shaft Gear Shift Fork Output	1	1	
11	JG 5612 15	Compression Spring	2	2	
12	JG 5610 08	Gear Indicator Pin	1	1	

Gear Change Mechanism



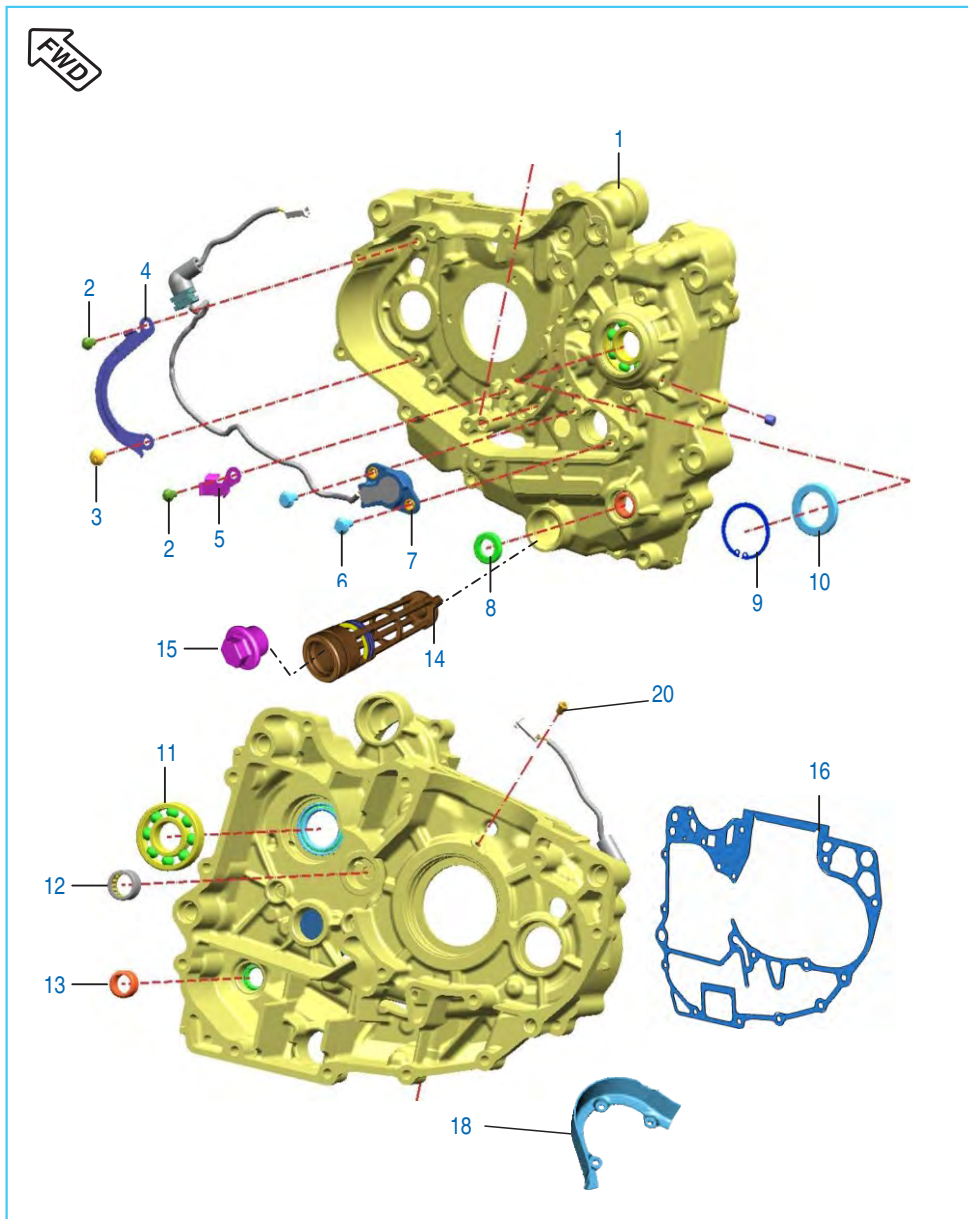
No.	Part No.	Description	Qty.		Remarks
			200 NS	200 AS	
1	JL 5614 01	Assembly Lever Complete Change	1	1	
	JL 5612 05	Assembly Shift Lever- Ball Joint	1	1	From Dec'15
2	JL 5614 04	Assembly Lever Change Arm	1	1	
	JL 5612 06	Assembly Arm Change Ball Joint	1	1	From Dec'15
3	DH 1015 09	Damper	1	1	
4	JL 5614 05	Rod Tie	1	1	
	52 JF00 62	Tie Rod With Nut Assly	1	1	From Dec'15
5	JD 5614 16	Washer - Nylon (Dia6.5Xd15X2.0)	2	2	Till Nov' 15
6	39 0808 08	Pin - Split	2	2	Till Nov' 15
7	JL 5614 07	Boot -Change Arm	1	1	Till Nov' 15
8	JL 5614 08	Boot -Change Lever	1	1	Till Nov' 15
9	39 1902 04	Bolt - Flange :- M6	1	1	
10	JG 5612 00	Lever Gear Shift Assy Comp.	1	-	
	DT 5612 06	Lever Gear Shift Assy Comp.	-	1	
11	JG 5612 15	Compression Spring	1	1	
12	JG 5612 18	Torsion Spring	1	-	
	JG 5612 32	Torsion Spring	-	1	
13	JG 5612 17	Bush-Torsion Spring	1	1	
14	JL 5614 09	Bolt Gear Change Lever	1	1	
15	JL 5614 10	Washer - Steel	1	1	
16	01 1009 05	'O' Ring	2	2	

Engine Assembly / Crankcase RH



No.	Part No.	Description	Qty.		Remarks
			200 NS	200 AS	
1	JL 5010 03 JL 5010 14	Assembly Engine Assembly Engine	1 1	-	N.I. for Argentina
	JL 5010 40 JL 5010 63	Assembly Engine Assembly Engine	- 1	1	
2	36 JL00 04 36 DT00 79	Kit Asly Crankcase RH Assly Crankcase RH	1 1	1	BS IV (Nepal / B'Desh) BS IV
3	39 1931 20	Ball Bearing 28 X 68 X 18	1	1	
4	JG 5410 46 JY 5410 47	Balancer Bearing Stopper Stopper I/P Shaft Bearing	1 1	1	BS IV
5	LA D000 77	Bolt Flanged M6x16	1	1	
6	36 JI00 39	Special Shaft Seal Ring (oil)	2	2	
7	LE B000 01	Circlip Internal	1	1	
8	39 2602 20	Bearing - Ball 6202/HN3	1	1	
9	AA 1014 37	Screw : Pre-coated	1	1	
10	JG 5410 59	Plate Stopper Bearing Drum	1	1	
11	39 2601 20	Bearing - Ball :- 61905 (25 X 42 X 9)	1	1	
12	LB B000 06	Screw Pan head	3	3	
13	JU 5410 05	Breather Plate	1	1	
14	59 2000 28	Bearing Ball RH	1	1	
15	JG 5612 04	Bolt Drum Stopper	1	1	
16	JG 5612 05	Washer	1	1	
17	JG 5610 09	Stopper Drum Complete	1	1	
18	39 2005 11	Washer	1	1	
19	JG 5612 26	Spring	1	1	
20	39 2562 20	Bearing - Needle Roller :- 13X19X12	1	1	
21	39 0746 01	Screw Pan Cross - M6	1	1	
	LB B000 07	Screw Pan Cross - M6	1	-	BS IV
22	JG 5410 45	Input Shaft Bearing Stopper	1	1	
23	DP 1011 91	Bolt Shifter	1	1	
24	JG 5710 14	Oil Filter	1	1	
25	JG 5710 16	O-Ring	1	1	
26	JE 5412 18	Cap Oil Filter (MAGD3)	1	-	Ref. Cir. IB-82
	JL 5412 37	Cap Oil Filter	-	1	
	JL 5710 01	Cap Oil Filter	1	-	BS IV
27	KA DP05 16 KA EQ06 16	Hexagonal Flange Bolt Bolt Flange Small	2 2	2	BS IV
28	39 0594 17	Internal Circlip	1	-	
29	JL 6010 10	Water Seal Double Lip	1	-	BS IV

Crankcase LH



No.	Part No.	Description	Qty.		Remarks
			200 NS	200 AS	
1	36 JL00 03	Kit Assly. Crankcase LH	1	1	
	36 DT00 80	Assly. Crankcase LH	1	-	BS IV
2	LA E000 14	Bolt Flanged	2	2	
3	DH 1013 81	Pre Coated pan Screw	1	1	
4	JG 5410 63	Bracket Harness Upper	1	1	
	JU 5410 18	Bracket Harness Upper	1	-	BS IV
5	JG 5410 44	Bracket Harness Lower	1	1	
6	39 1773 04	Bolt M-5 x 16	2	2	
7	JL 3518 00	Neutral Indicator Switch	1	1	
8	39 1043 19	Seal Oil	1	1	Gear Change lever
9	KE BA37 15	Circlip Internal (O/P Shaft)	1	1	
10	DG 1014 56	Seal Oil (O/P Shaft)	1	1	
	JY 5410 58	Oil Seal Output Shaft	1	-	BS IV
11	59 2000 06	Bearing Ball (O/P Shaft)	1	1	
12	JG 5410 15	Needle Bearing (Drum)	1	1	
13	39 2562 20	Needle Bearing	1	1	
	BF 5610 20	Bearing Plain	1	-	BS IV
14	JG 5710 24	Mesh Oil Filter Assly.	1	-	
	JY 5710 30	Mesh Strainer Assly	-	1	
14a	LJ A000 04	'O' ring Strainer	1	1	N.I.
15	JA 5410 48	Strainer Cap with 'O' Ring	1	1	
16	JG 5410 41	Gasket Crankcase	1	1	
17	36 JL00 14	Kit Engine Gasket	1	1	N.I.
18	JG 5410 58	Chain Guard	1	1	
19	KB BG06 12	Pan Screw Head	3	3	N.I.
20	JG 5410 74	Oil Nozzle	1	1	N.I.
21	KA EQ06 40	Bolt Flange	10	10	
22	LA D000 81	Bolt Flange Pre coated	4	4	
	BF 5610 20	Bearing Plain	1	-	BS IV
23	39 2181 06	Hollow Pin Dowel	4	4	N.I.

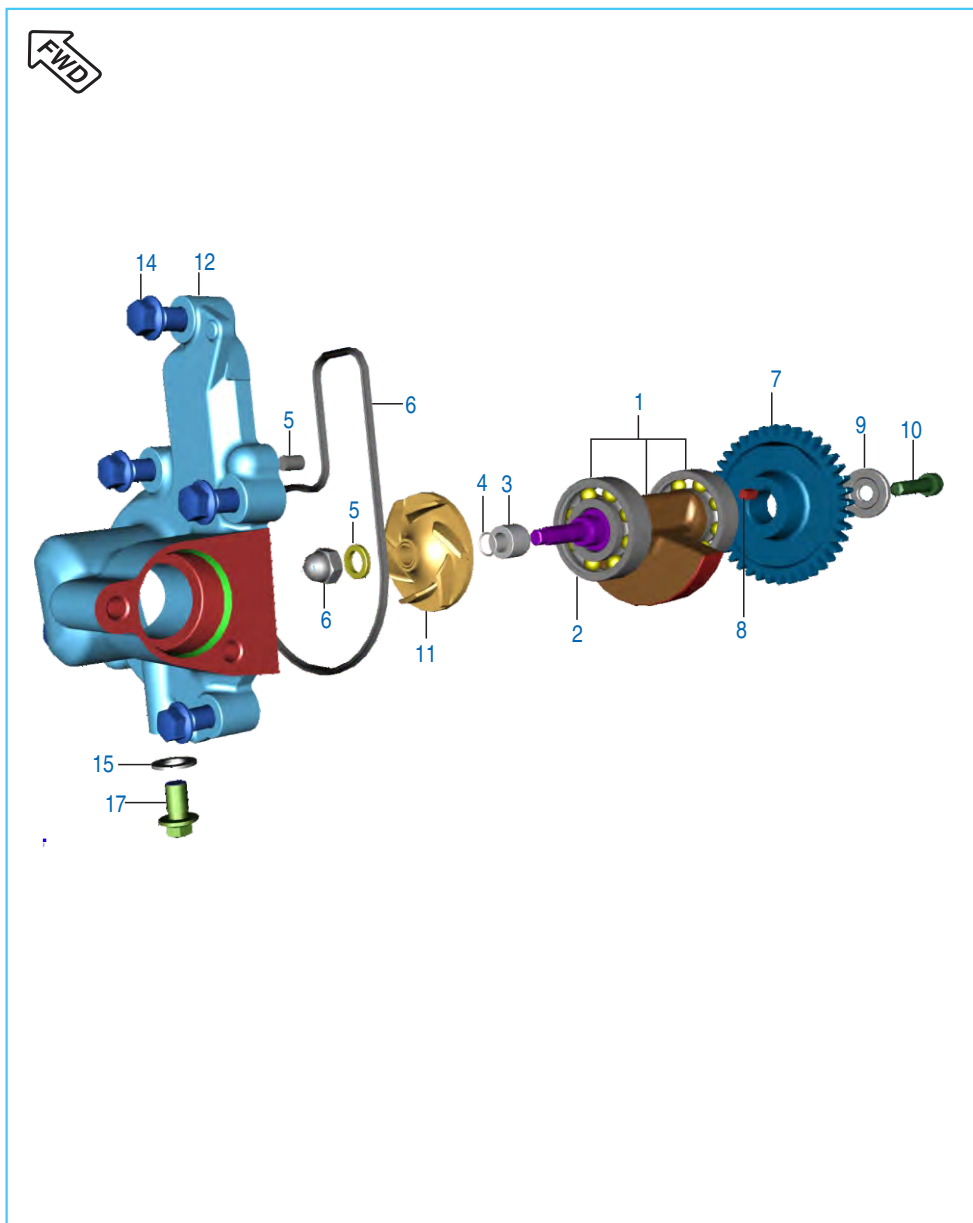
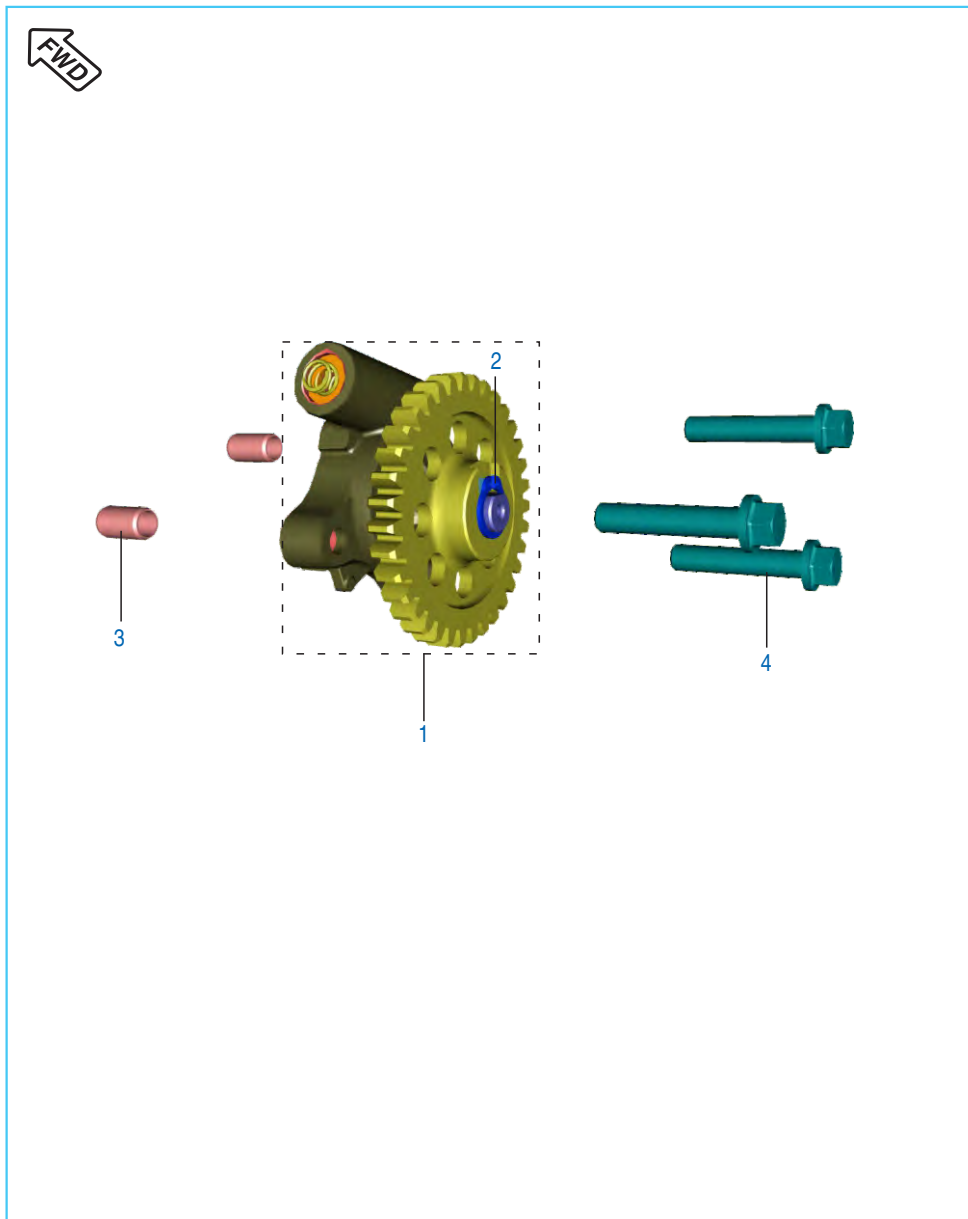


Plate No.: 13

Balancer Idler Gear / Water Pump

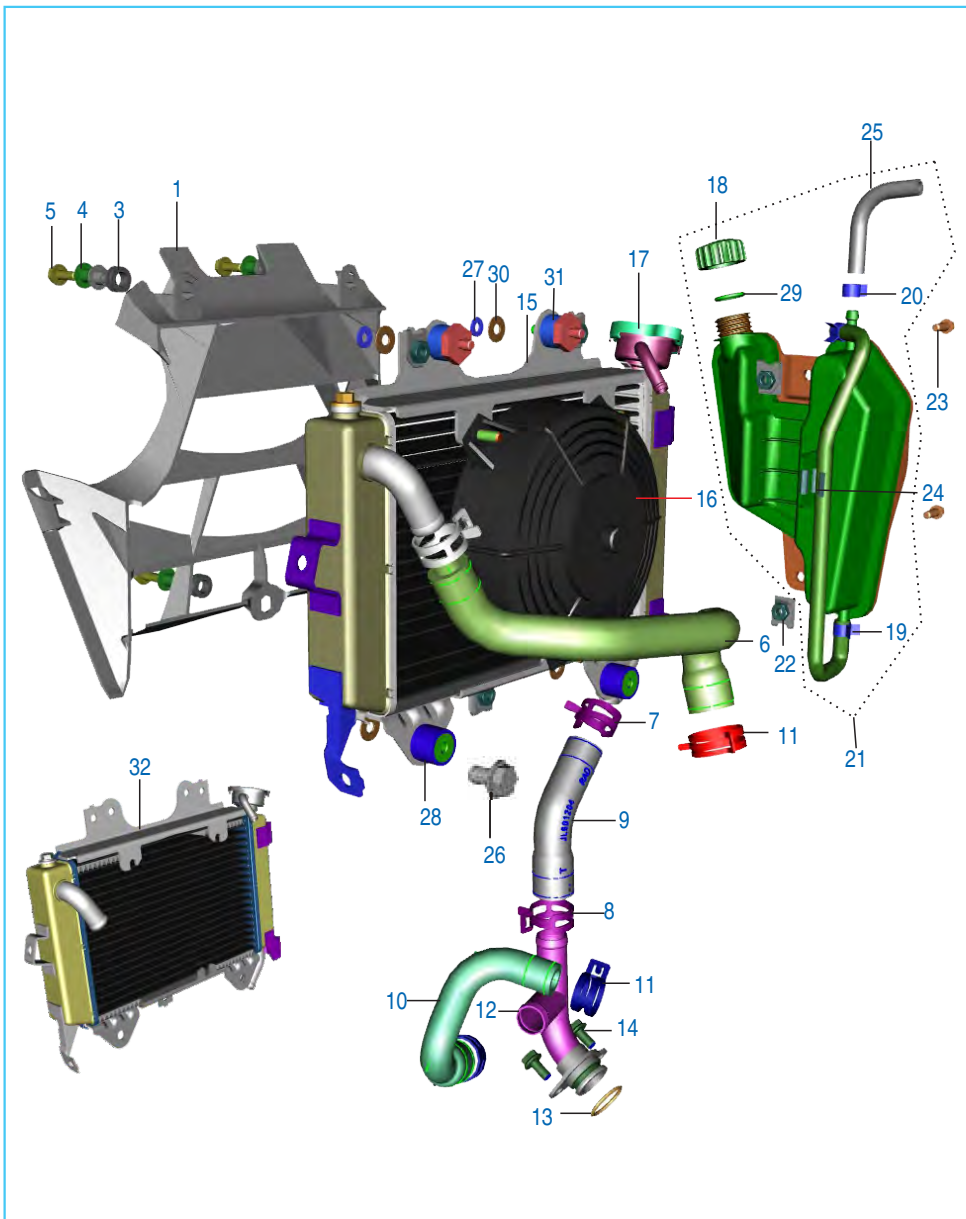
No.	Part No.	Description	Qty.		Remarks
			200 NS	200 AS	
1	JL 5312 13	Balancer Assy	1	-	N.S
	JL 5312 15	Balancer Assy	-	1	
	JL 5312 05	Assembly Balancer Integral	1	-	Ref. Cir. IB-214
2	59 2000 36	Balancer Bearing (6203/HN3C3D8)	2	2	
3	JG 5312 11	Sleeve Balancer Driven	1	-	
	JG 5312 28	Sleeve Balancer Driven	-	1	w.e.f. Apr. 2013
	JL 5312 03	Sleeve Balancer Driven	1	1	Ref. Cir. IB-214
4	JG 5312 12	O Ring Balancer Driven	1	-	
	JG 5312 29	O Ring Balancer Driven	-	1	w.e.f. Apr. 2013
5	JG 5312 15	Washer (2.5MM)	1	1	
6	JG 6010 05	Dome Nut	1	1	
7	JG 5312 07	Gear Balancer Driven	1	1	
8	DS 1011 54	Key	1	1	
9	DH 1010 48	Washer - Special :- Camshaft	1	1	
	LD B000 51	Washer Plain	1	-	BS IV
10	DK 1013 86	Pre-coated Soc Hd Cap Bolt M8X40	1	1	
	LA C000 86	Bolt Socket	1	-	BS IV
11	JG 6010 13	Water Pump Rotor	1	1	
12	JL 6010 05	Cover Water Pump	1	1	
13	JG 6010 12	O-Ring (Water Pump Cover)	1	1	
14	KA EQ06 20	Bolt Hexagonal	5	-	
	KA EQ06 20	Bolt Hexagonal	-	5	
15	39 1665 11	Washer - Seal :- 6	1	1	
16	39 2606 07	Pin - Parallel	2	2	N.I
17	KA DQ06 06	Hex Bolt Flange Pre-coated	1	1	

Oil Pump

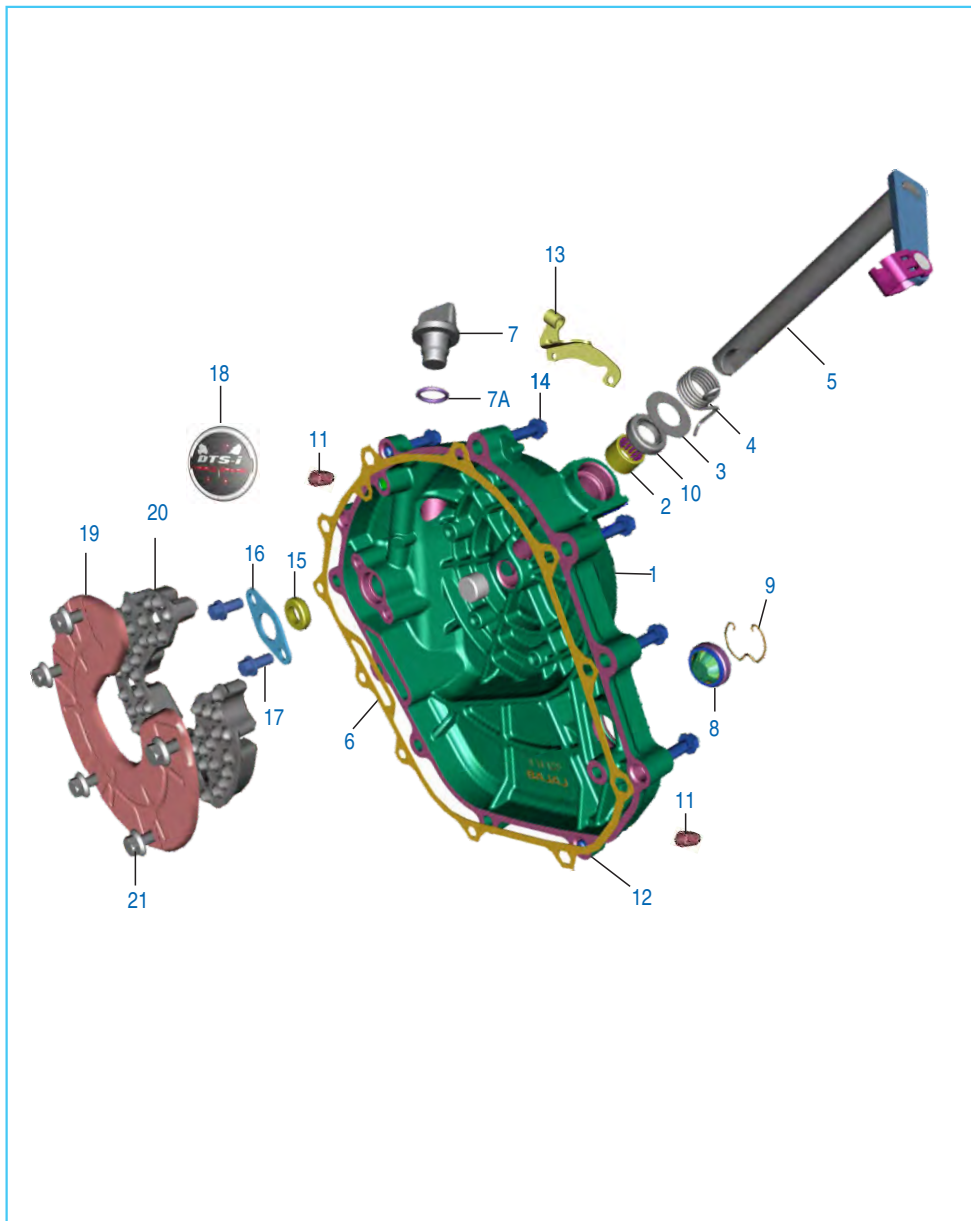


No.	Part No.	Description	Qty.		Remarks
			200 NS	200 AS	
1	JU 5710 00	Oil Pump Assy Comp	1	1	
2	KE AA10 10	Circlip	1	-	
	KE AB10 10	Circlip	-	1	
3	39 0999 06	Pin - Hollow Dowel	2	2	
4	LA E000 18	Bolt Flanged M6X1X30L-Precoated	3	3	

Radiator



No.	Part No.	Description	Qty.		Remarks
			200 NS	200 AS	
1	JL 6012 10	Cowl Radiator	1	1	
2	DJ 1810 65	Nut - Clip :- M6	3	3	
3	JL 1812 56	Grommet For Radiator Cowl	3	3	
4	JL 6012 31	Sleeve Cowl Mounting	3	3	
5	39 1944 04	Bolt-Flange Dia-06 L-12	3	3	
6	JL 6010 00	Hose Thermostat To Radiator	1	1	
7	JG 6012 34	Clamp Radiator Pipe	2	2	
8	JG 6012 09	Clamp Radiator Pipe Dia 19.8	2	2	
9	JL 6012 20	Coolant Hose Radiator To T	1	1	
10	JL 6012 19	Hose By Pass To Pump	1	1	
11	JL 6012 12	Clamp Radiator Dia 19	1	1	
12	JL 6012 28	Coolant Pipe T Assembly	1	1	
13	LJ A000 05	O-Ring Coolant Pipe	1	1	
14	DJ 1013 02	Bolt - Hexagon Head	2	2	alternate BS IV
	LA E000 41	Bolt Flange	2	-	
15	JL 6012 00	Radiator Assly	1	1	
16	JG 6012 37	Radiator Fan	1	1	
17	JG 6012 35	Pressure Cap Radiator (Metallic)	1	1	
18	JG 6012 11	Cap Expansion Tank	1	1	
19	JL 6012 15	Clamp -Expansion Tank	2	2	
20	JG 1710 29	Spring Band Clip 10 Mm	3	3	
21	JL 6012 35	Expansion Tank Assly.	1	1	
22	DJ 1810 65	Nut - Clip :- M6	2	2	
23	KA DF06 16	Bolt - Flanged	2	2	
24	JL 6012 27	Hose -Expansion Tank	1	1	
25	JL 6012 14	Hose -Expansion Tank Top	1	1	
26	LA D000 40	Bolt Flange M6 - 6L	3	3	
27	39 2704 11	Washer Spring	4	4	
28	JG 5810 14	Silent Block	4	4	
29	JG 6012 30	O Ring Expansion Tank	1	1	
30	39 2704 11	Plain Washer	4	4	
31	JL 6012 16	Rubber Damper Radiator Mtg,	2	2	
32	JL 6012 34	Radiator Core	1	1	

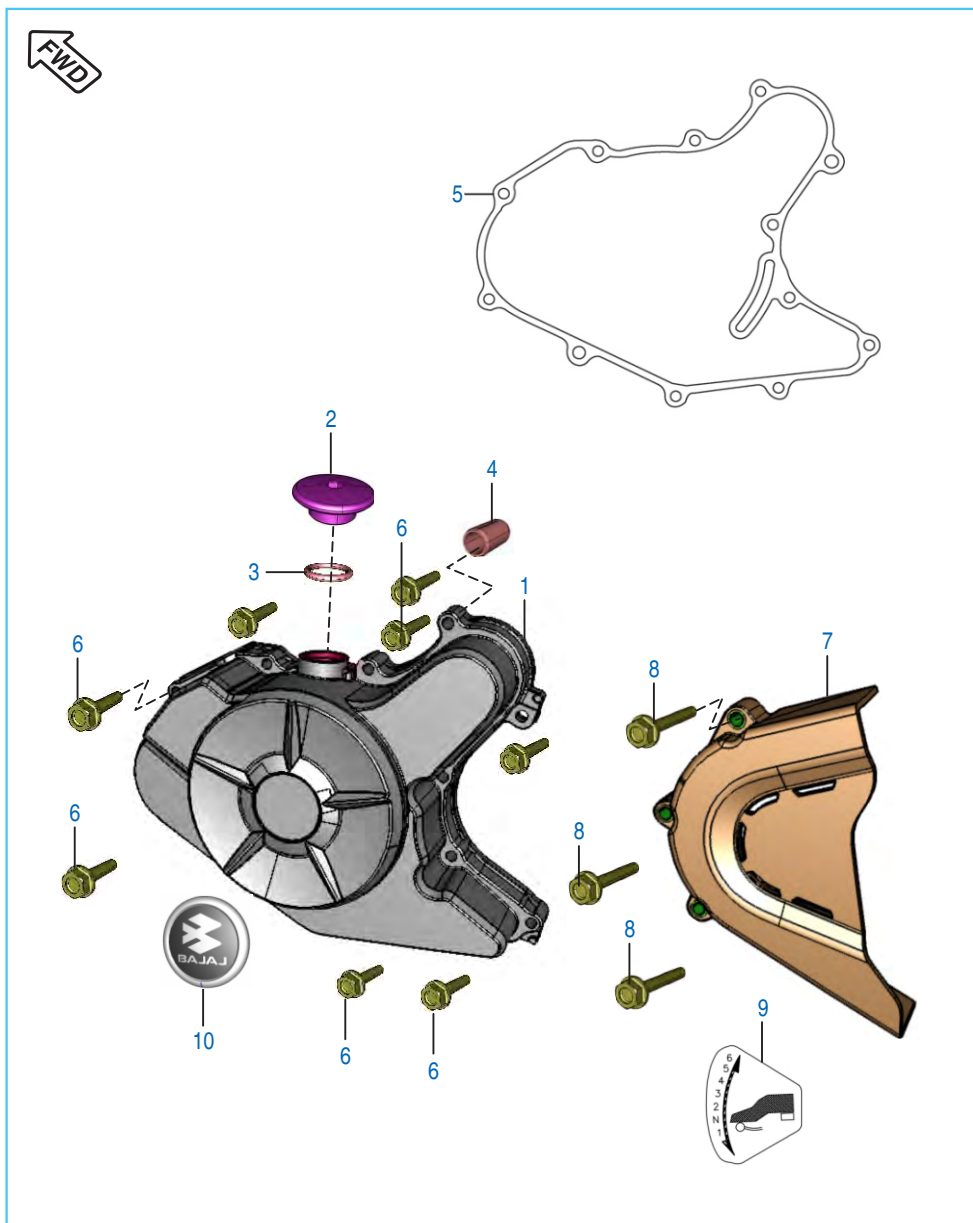


 Front Wheel Direction

Plate No.: 16

Cover Clutch

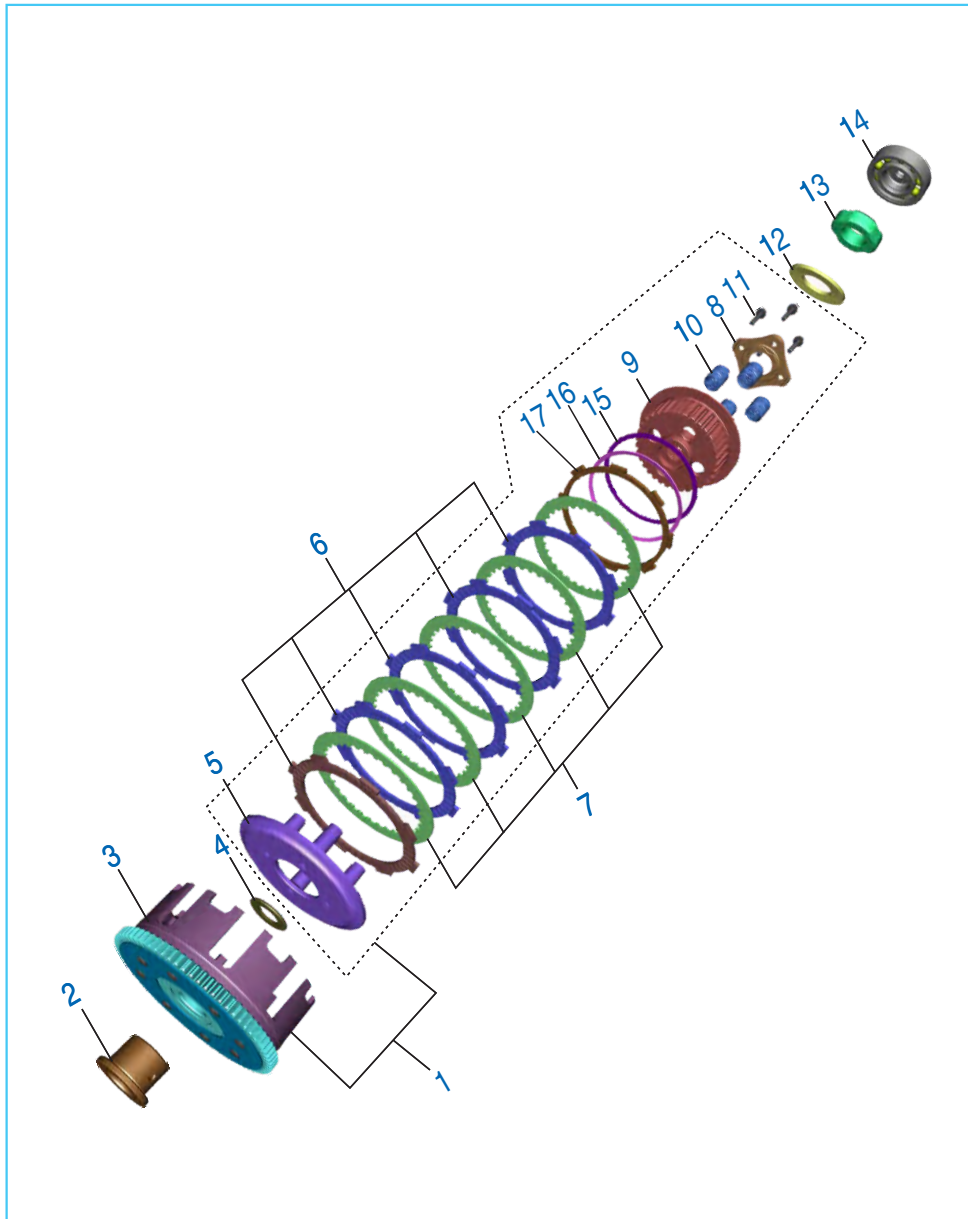
No.	Part No.	Description	Qty.		Remarks
			200 NS	200 AS	
1	52 JL00 73	Kit Asly Clutch Cover	1	-	With Nozzle, NRB, Jet Ref. Cir. IB-82
	52 JL01 43	Clutch Cover Assly (Semi Finished MAGD3)	1	-	
	DT 5412 12	Assly Cl Cover	-	1	
	52 JL08 92	Assly Cl Cover	1	-	BS IV
2	39 1990 20	Bearing - Needle	1	1	
3	LD B000 20	Washer 12.5X24X0.8T	1	1	
4	JG 5510 17	Spring	1	1	
5	JG 5510 15	Shaft Clutch Release Assy	1	-	
	DT 5410 19	Shaft Clutch Release Assy	-	1	
6	JU 5514 01	Rod Push	1	1	
7	JG 5412 30	Cap Oil Filling	1	1	
7A	39 1537 21	Ring 'O'	1	1	
8	DG 1014 18	Gauge	1	-	
	JL 5412 27	Window Oil Gauge	-	1	
9	DS 1012 15	Clip - Wire	1	1	
10	39 1041 19	Seal - Oil	1	1	
11	39 0999 06	Pin - Hollow Dowel	2	2	
12	JL 5412 07	Gasket Clutch Cover	1	1	
13	JL 5412 10	Bracket Clutch Cable	1	-	
	JL 5412 46	Bracket Clutch Cable	-	1	
14	KA DQ06 30	Bolt Flanged	11	-	
	KA EQ06 30	Bolt Flanged	-	11	
15	39 1046 19	Seal - Oil	1	1	
16	JG 5412 31	Plate -position	1	1	
17	AA 1014 37	Bolt M6	2	2	
18	JL 5412 22	Decal Triple Spark	1	1	
19	JL 5412 30	Damper Clutch Cover	1	1	
20	JL 5412 31	Plate Damper Clutch Cover	1	1	
21	DH 1013 88	Bolt M5 X 10	5	5	
22	JL 5412 18	Jet	1	1	



Cover Magneto

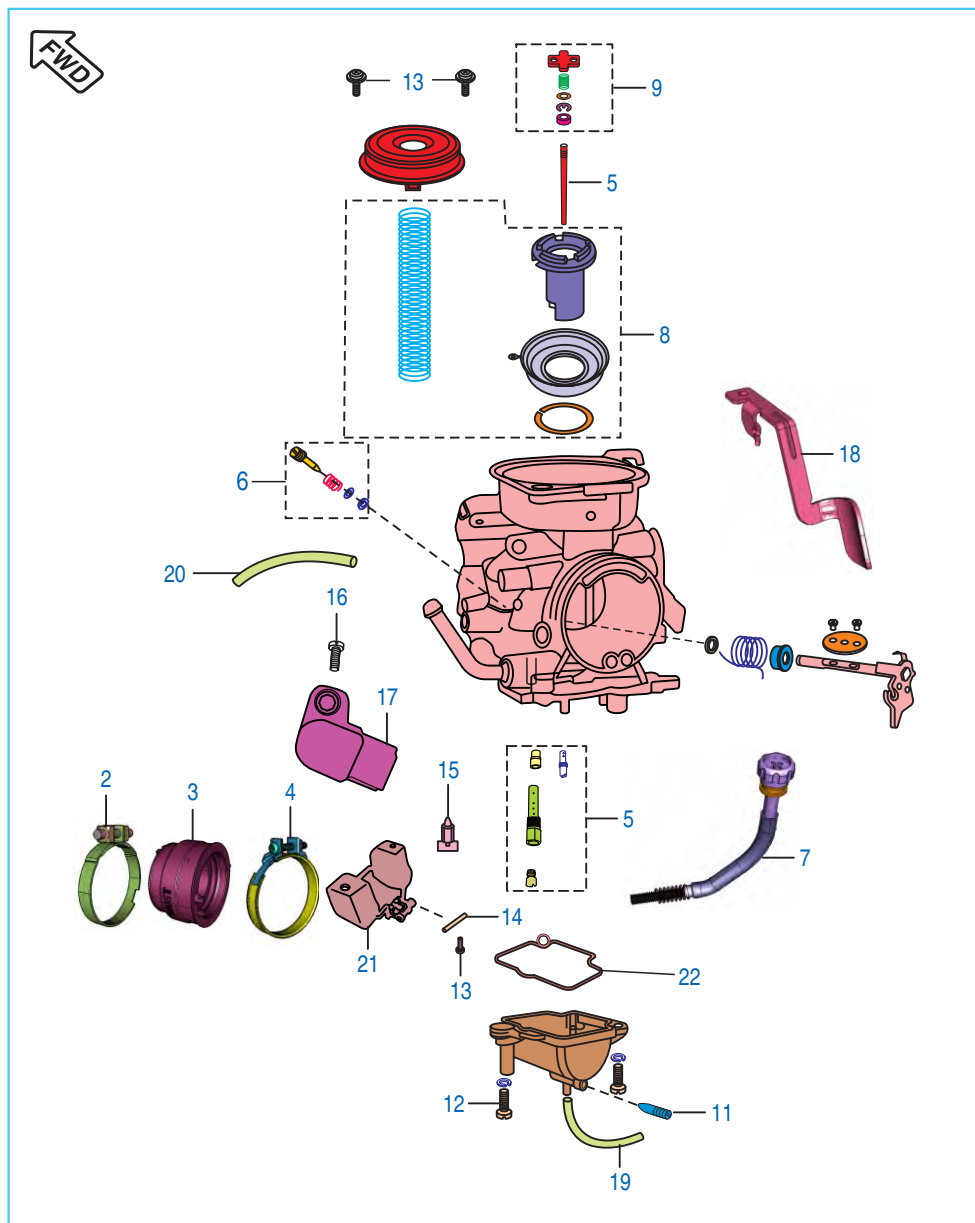
No.	Part No.	Description	Qty.		Remarks
			200 NS	200 AS	
1	JL 5412 20	Cover Magneto	1	-	
	52 JL02 07	Cover Magneto (Semi Finished MAGD3)	1	1	Ref. Cir. IB-82
	JL 5412 44	Cover Magneto	1	-	For Argentina
	56 JL1W 3V	Magneto Cover Assly	1	1	
2	JL 5412 45	Cap TDC Finder	1	1	
3	30 1011 95	Ring - O	1	1	
4	39 0999 06	Pin - Hollow Dowel	2	2	
5	JL 5412 08	Gasket Magneto Cover	1	1	
6	KA DQ06 30	Bolt Flanged	9	-	
	KA EQ06 30	Bolt Flanged	-	9	
7	JL 5412 03	Cover LH RR	1	1	
8	KA DQ06 45	Hex Headed Bolt Flange	3	3	
	KA EQ06 45	Bolt Flange Small	3	-	BS IV
9	JL 2330 15	Gear Shift Label-6 Speed	1	1	
10	JL 5412 23	Decal 'Bajaj logo'	1	1	

Clutch Assly

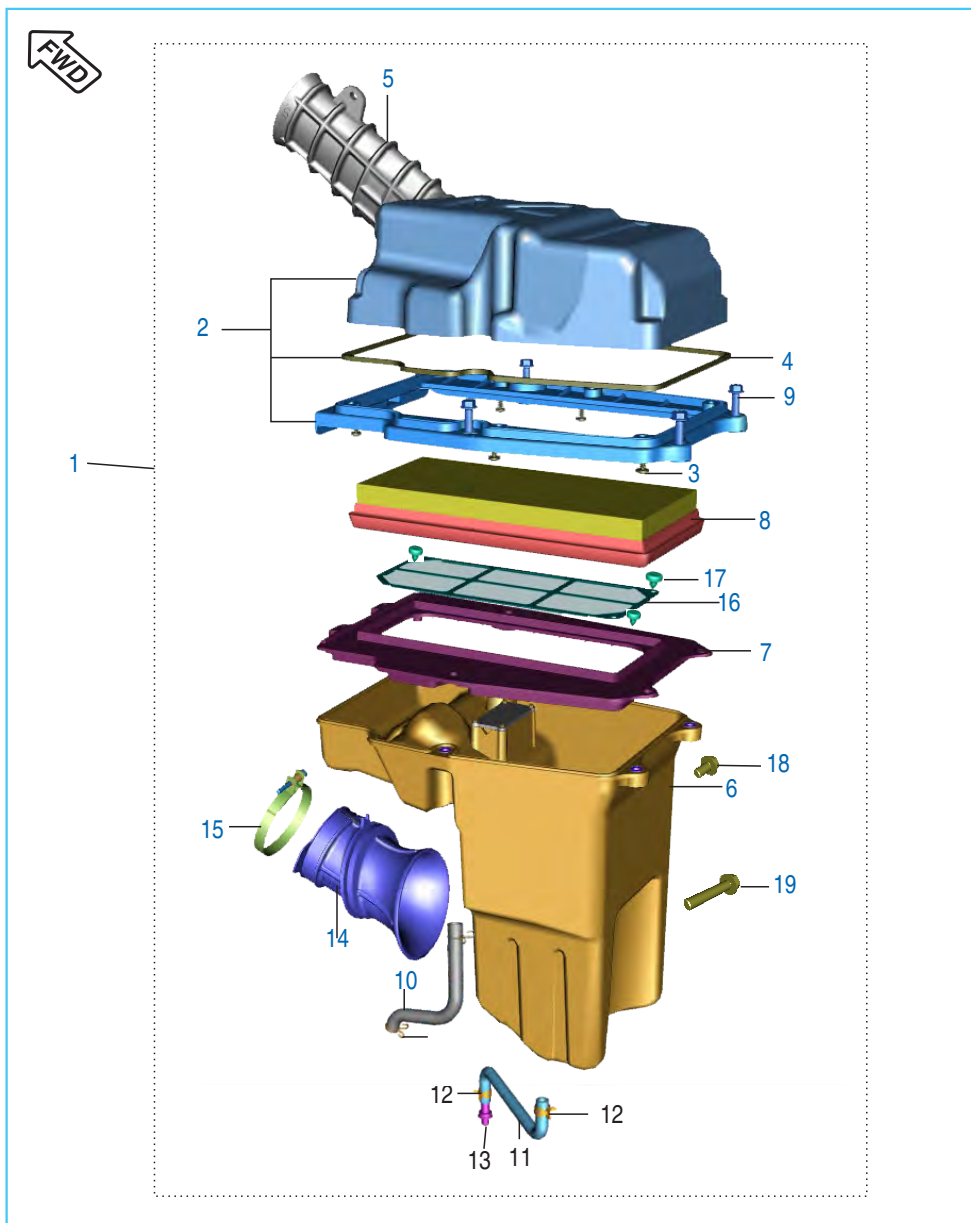


No.	Part No.	Description	Qty.		Remarks
			200 NS	200 AS	
1	JU 5514 04	Clutch Assy Comp	1	-	
	DT 5514 00	Clutch Assy Comp	1	1	BS IV
2	JG 5514 27	Collared Bush	1	1	
3	36 JL00 05	Kit Set Primary Drive & Driven Gear	1	1	N.I
4	JG 5514 28	Washer Clutch	1	1	
5	JG 5514 49	Plate (Wheel Clutch)	1	-	
	DT 5514 02	Clutch Pressure Plate	1	1	BS IV
6	36 JU00 02	Kit Friction Plate	1	1	
7	JG 5514 47	Pressure Plate	5	5	
	DT 5514 08	Pressure Plate	5	5	BS IV
8	JG 5514 43	Clutch Holder	1	-	
	DT 5514 01	Clutch Center	1	1	BS IV
9	JU 5514 06	Clutch Center_G2	1	1	
10	JU 5514 02	Spring -Clutch	4	-	
	DT 5514 03	Spring -Clutch	4	4	BS IV
11	JG 5514 51	Bolt Sh 6*22	4	4	
12	39 2200 11	Washer - Plain (Primary Drive Gear)	1	1	
13	DH 1016 48	Nut Clutch Center Lock (Pre-coated)	1	1	
14	JG 5514 23	Clutch Lifter Bearing	1	1	
15	DP 1012 43	Plate Judder Spring	1	-	
16	DP 1011 14	Spring Anti Judder	1	-	
17	DP 1011 09	Plate Friction Reduced	1	-	

Carburettor

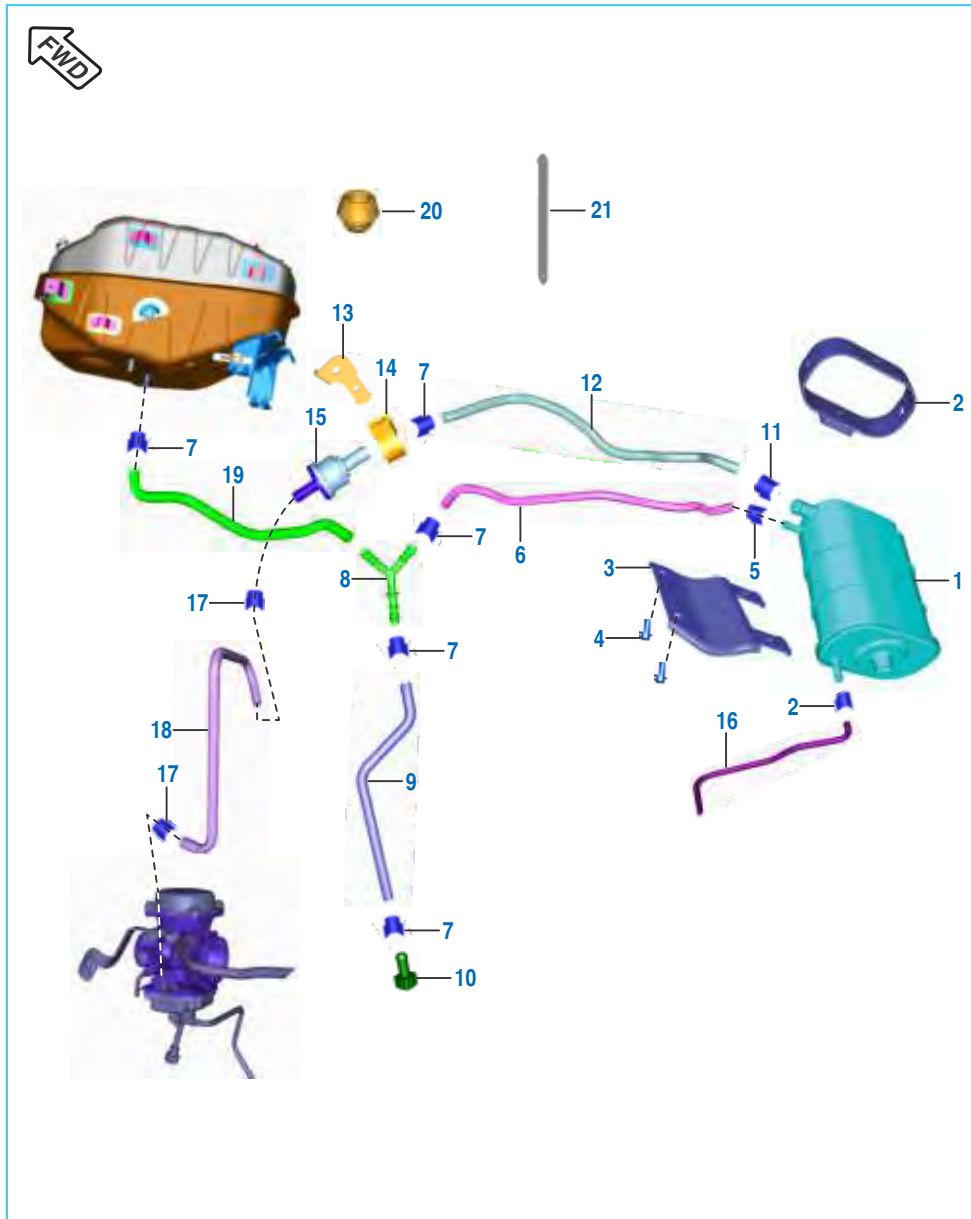


No.	Part No.	Description	Qty.		Remarks
			200 NS	200 AS	
1	JL 5812 01	Carburetor	1	1	
	JL 5812 15	Carburetor Assly EVAP Non TPS	1	-	BS IV (Nepal / B'Desh)
	JL 5812 17	Carburetor Assly W/O EVAP & TPS	1	-	BS IV
2	JL 5813 00	Clamp (Duct Carburetor)	1	1	
3	JL 5110 16	Insulator Rubber	1	1	
4	JL 5810 27	Clamp	1	1	
5	36 JL00 19	Kit Jet P200	1	1	
6	36 JL00 20	Kit VC Screw P200	1	1	
7	36 JL00 21	Kit Idling Screw	1	1	
8	36 JL00 22	Kit Piston Valve P200	1	1	
9	36 JL00 24	Kit Jet Needle Hardware P200	1	1	
10	36 JL00 23	Kit Gasket / O-ring P200	1	1	
11	JA 5813 14	Drain Screw	1	1	
12	CB 1210 42	Float Chamber Screw	2	2	
13	DH 1210 64	Screw Needle Shaft	3	3	
14	DH 1210 63	Float Needle	1	1	
15	DK 1210 47	Needle Assly.	1	1	
16	39 1780 01	Screw Pan - M5	2	2	
17	JD 3518 00	TPS Assly.	1	1	
18	JL 5812 04	Choke Lever	1	1	
19	JL 5812 05	Tube Drain Carb.	1	1	
20	JL 5812 06	Tube Breather	1	1	
21	DK 1210 45	Float Assembly	1	1	
22	36 JE00 22	Kit O Ring & Gasket	1	1	



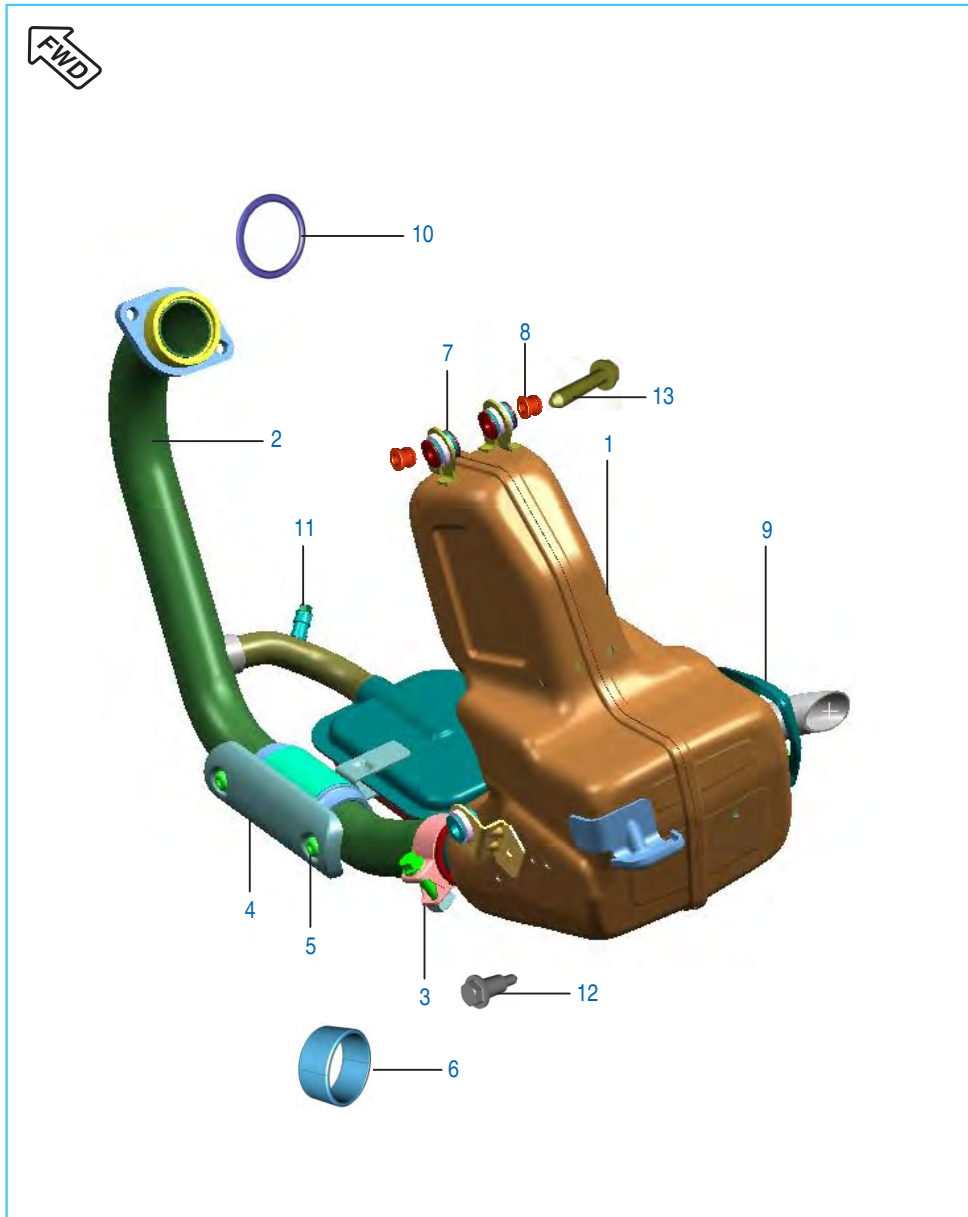
Air Cleaner Complete

No.	Part No.	Description	Qty.		Remarks
			200 NS	200 AS	
1	JL 5810 00	Air Filter Assembly	1	1	BS IV
	JL 5810 50	Air Filter Assembly SAI	1	-	
2	JL 5810 23	Assembly Top Cover	1	1	
3	LB B000 04	Screw Cross Pan Hd Bt6*11L	6	6	
4	JL 5810 25	Seal Top Cover	1	1	
5	JL 5810 07	Entry Duct	1	1	
6	JL 5810 24	Assembly Bottom Cover	1	1	
7	JL 5810 18	Plate Air Filter Mounting	1	1	
8	JL 5810 09	Filter Element	1	1	
9	KA EM06 22	Bolt-Flange	4	4	
10	JL 5810 16	Tube Breather Assly	1	1	
11	JL 5810 15	Tube Drain Assembly	1	1	
12	DG 1210 02	Clamp	2	2	
13	DS 1211 26	Plug	1	1	
14	JL 5810 10	Tube Connecting	1	1	
15	AP 1210 64	Clamp	1	1	
16	JL 5810 04	Flame Arrester	1	1	
17	KB QA35 06	Screw Tapping Pan Slotted	3	3	
18	KA DM06 10	Bolt Flange M6-L10mm	1	1	RH Mounting
19	KA DA06 30	Bolt Flange M6-L33mm	1	1	RH Mounting



EVAP Mechanism

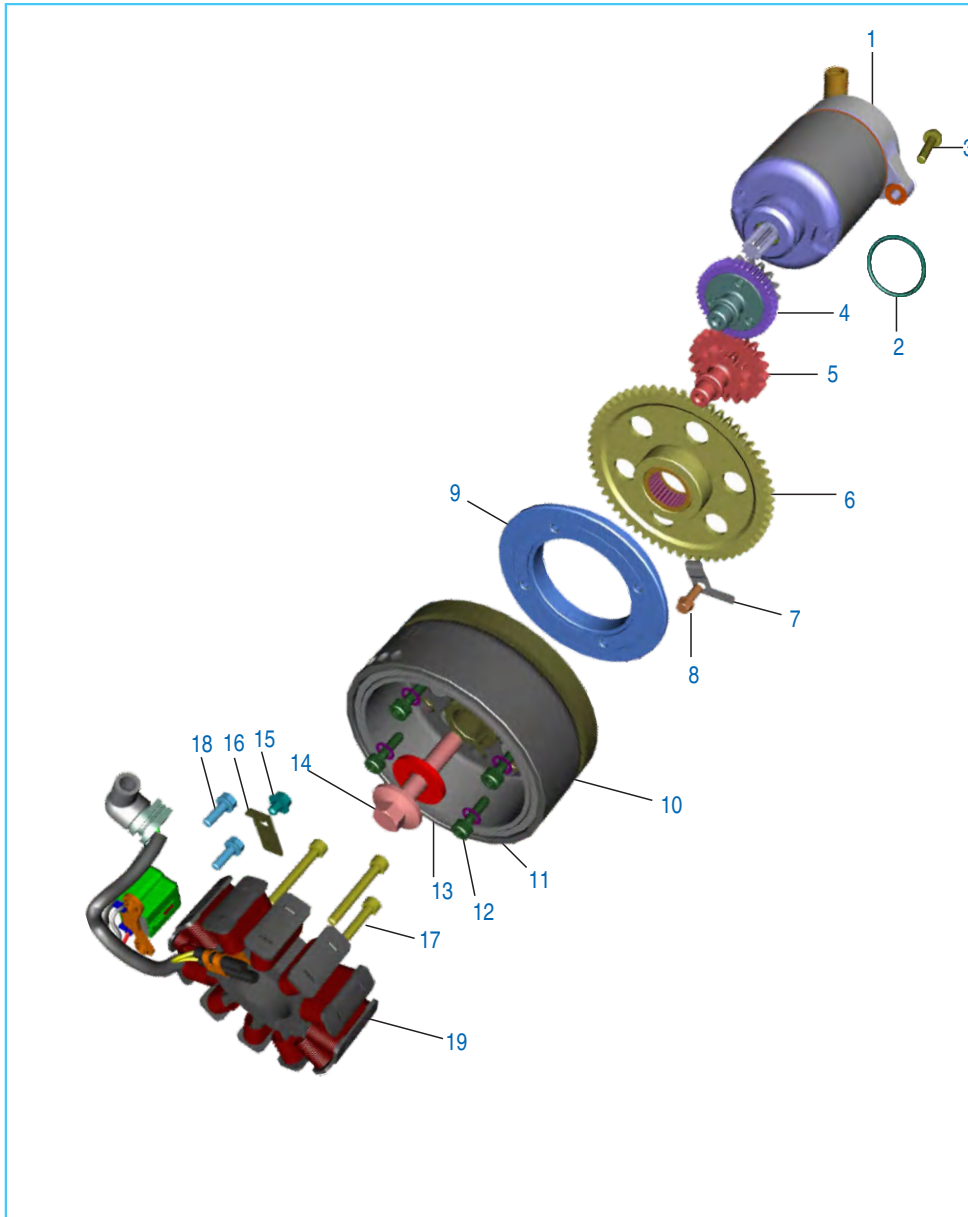
No.	Part No.	Description	Qty.		Remarks
			200 NS	200 AS	
1	JY 1710 77	Canister	1	-	BS IV
2	JZ 1710 55	Strap Canister	1	-	BS IV
3	JL 1138 30	Bracket Canister Mounting	1	-	BS IV
4	KA EA06 12	Bolt - Flanged - Small	1	-	BS IV
5	JY 1710 70	Spring Band Clamp 9 x 8.4	2	-	BS IV
6	JL 1718 37	Tube Y Connector To Canister	1	-	BS IV
7	JY 1710 90	Spring Band Clamp 13 x 12	5	-	BS IV
8	JY 1138 42	Connector Y Shape	1	-	BS IV
9	JF 1716 07	Tube Connector To Plug	1	-	BS IV
10	JY 1718 25	Plug Fuel Drain	1	-	BS IV
11	JY 1710 69	Spring Band Clamp 15 x 10	1	-	BS IV
12	JF 1718 04	Tube Canister To Connector	1	-	BS IV
13	JF 1138 38	Bracket Purge Valve Mounting	1	-	BS IV
14	JH 1710 48	Grommet Purge Valve	1	-	BS IV
15	PD 1716 16	Valve Purge	1	-	BS IV
16	JF 1718 07	Tube Canister Drain	1	-	BS IV
17	JG 1710 29	Spring Band Clamp 11.5 x 8.4	2	-	BS IV
18	JL 1716 07	Tube Purge Valve To Carb.	1	-	BS IV
19	JF 1718 06	Tube Tank To Y Connector	1	-	BS IV
20	JD 1710 59	Evap Cap Rubber Bush Sealing	1	-	BS IV
21	DT 1138 49	Strap	1	-	BS IV



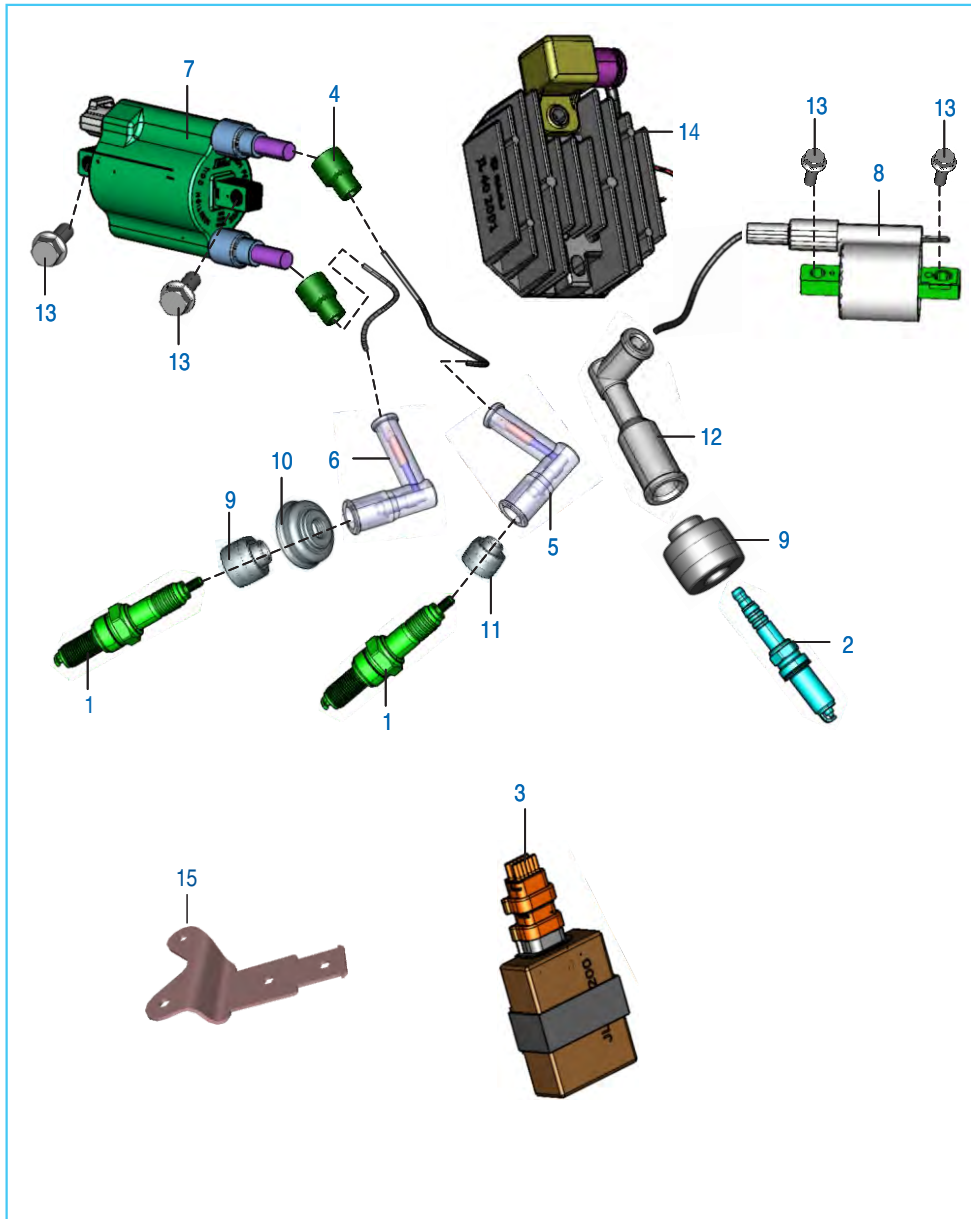
Silencer Assembly

No.	Part No.	Description	Qty.		Remarks
			200 NS	200 AS	
1	JL 5910 52	Assembly Muffler	1	1	BS IV (Nepal / B'Desh)
	JL 5911 96	Assembly Muffler	1	-	
2	JL 5910 48	Pipe Exhaust A Assly	1	1	BS IV
	JL 5912 26	Pipe Exhaust A Assly	1	-	
3	JG 5910 38	Band Clip	1	1	
4	JL 5911 44	Shield Catalytic Converter	1	1	
5	DH 1016 07	Truss Screw	4	4	
6	JG 5910 39	Gasket Muffler Pipe-A	1	1	
7	JG 5910 96	Bush Silencer Mounting	4	4	
	JL 5911 65	Damper Silencer Mounting	-	4	
9	JL 5910 75	Heat Shield	1	1	
10	JG 5910 70	Gasket Exhaust	1	1	
11	KA DA05 10	Bolt Hex	1	1	
12	JL 5910 86	Bolt Stepped	2	2	
13	JL 5911 48	Bolt Hex Flange	2	-	
	KA DA 06 30	Bolt Flanged	-	2	
14	39 2304 04	Bolt	2	2	N.I.
15	JL 5911 57	Sleeve Bottom	2	2	N.I.

Starter Assembly

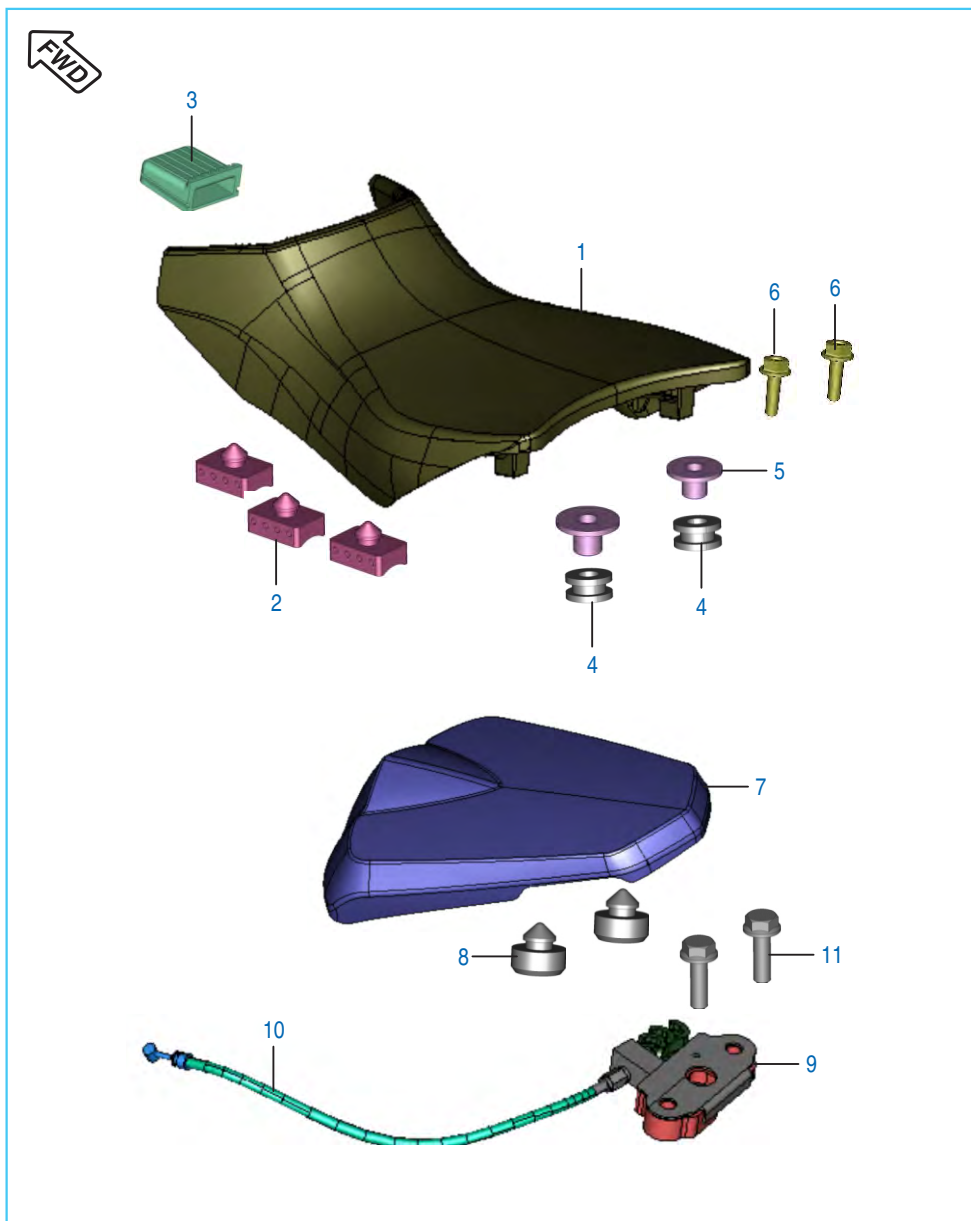


No.	Part No.	Description	Qty.		Remarks
			200 NS	200 AS	
1	JL 3516 00	Starter Motor Assly	1	1	
2	JA 3516 27	'O' Ring Starter motor	1	1	
3	KA Dq06 25	Bolt M6 Moto Mtg.	1	1	
4	JG 6214 13	Gear Starter Counter 2 Assly	1	1	
5	JG 6214 12	Gear Starter Counter 1	1	1	
6	JG 6214 17	Assly Gear Starter Clutch	1	1	
7	JG 5410 43	Retainer Gear Starter	1	1	
8	39 1672 04	Bolt Flanged	1	1	
9	JG 3510 19	Body Complete Starter Clutch	1	1	
10	JL 3510 09	Rotor Assly W/O Clutch	1	1	
11	39 0849 14	Washer - Lock :0 Toothed	4	4	
12	DH 1013 89	Pre-coated Screw	4	4	
13	39 2165 11	Plain Washer	1	-	
	LD B000 10	Plain Washer	-	1	
14	DH 1013 96	Bolt Flanged	1	1	
15	LA E000 16	Bolt Flanged M5 X 13L	1	1	
16	DH 1011 99	Plate Stopper(Wiring Harness)	1	1	
17	DK 1012 84	Hex Socket Head Screw	3	3	
18	LA E000 10	Bolt Flanged M5 X 13 L	2	2	
19	JL 3510 38	Stator Assly Compl.	1	1	
	JL 3510 32	Stator Assly Compl.	1	-	For Argentina



Magneto, CDI & H.T. Coil

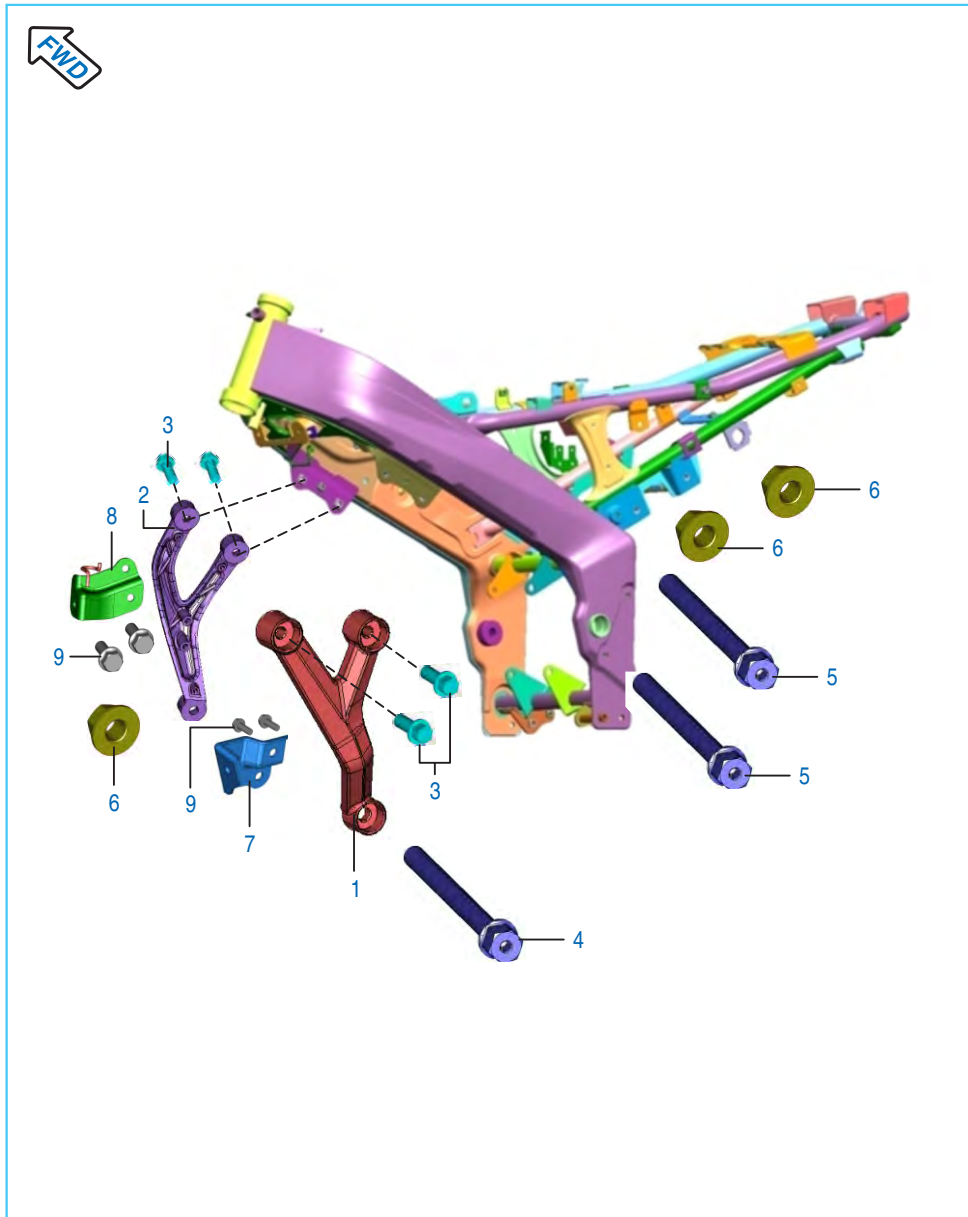
No.	Part No.	Description	Qty.		Remarks
			200 NS	200 AS	
1	DK 1110 28	Spark Plug RG6HC	2	2	
2	JG 3512 09	Ignition Spark Plug	1	1	
	JL 3512 18	Plug Spark	1	-	BS IV
3	JL 3512 00	DC CDI With Sealed Coupler	1	-	
	JL 3512 41	DC CDI With Sealed Coupler	-	1	
	JL 3612 46	CID Non Tps Assly	1	-	BS IV (Nepal / B'Desh)
4	DD 1110 12	Grommet For H. T. Cable	2	2	
5	JD 3512 07	Spark Plug Cap	1	1	
6	AN 1110 15	Spark Plug Cap	1	1	
7	JL 3512 01	Ignition Coil with Cable LH	1	-	Twin Output
	JL 3512 32	Coil HT	-	1	
8	JL 3512 02	Ignition Coil with Cable RH	1	-	
	JL 3512 30	Coil HT	-	1	
9	DH 1110 13	Grommet - Spark Plug	2	2	
10	DH 1110 16	Grommet - Sleeve Spark Plug	1	1	
11	DD 1110 11	Grommet - Spark Plug Cap	1	1	
12	DK 1110 11	Cap Spark Plug	1	1	
13	39 1944 04	Bolt - Flanged	4	4	
	KA DF06 10	Bolt - Flanged	4	-	BS IV
14	JL 4020 01	Regulator Assy	1	1	
	JL 4020 07	Regulator Assy	1	-	BS IV
	JL 4020 02	Regulator Assy	1	-	For Argentina
15	JL 1138 36	Bracket Cdi Mtg Loose	1	1	
16	JL 3512 19	Kit Ht Coil	1	-	Model BS IV



 Front Wheel Direction

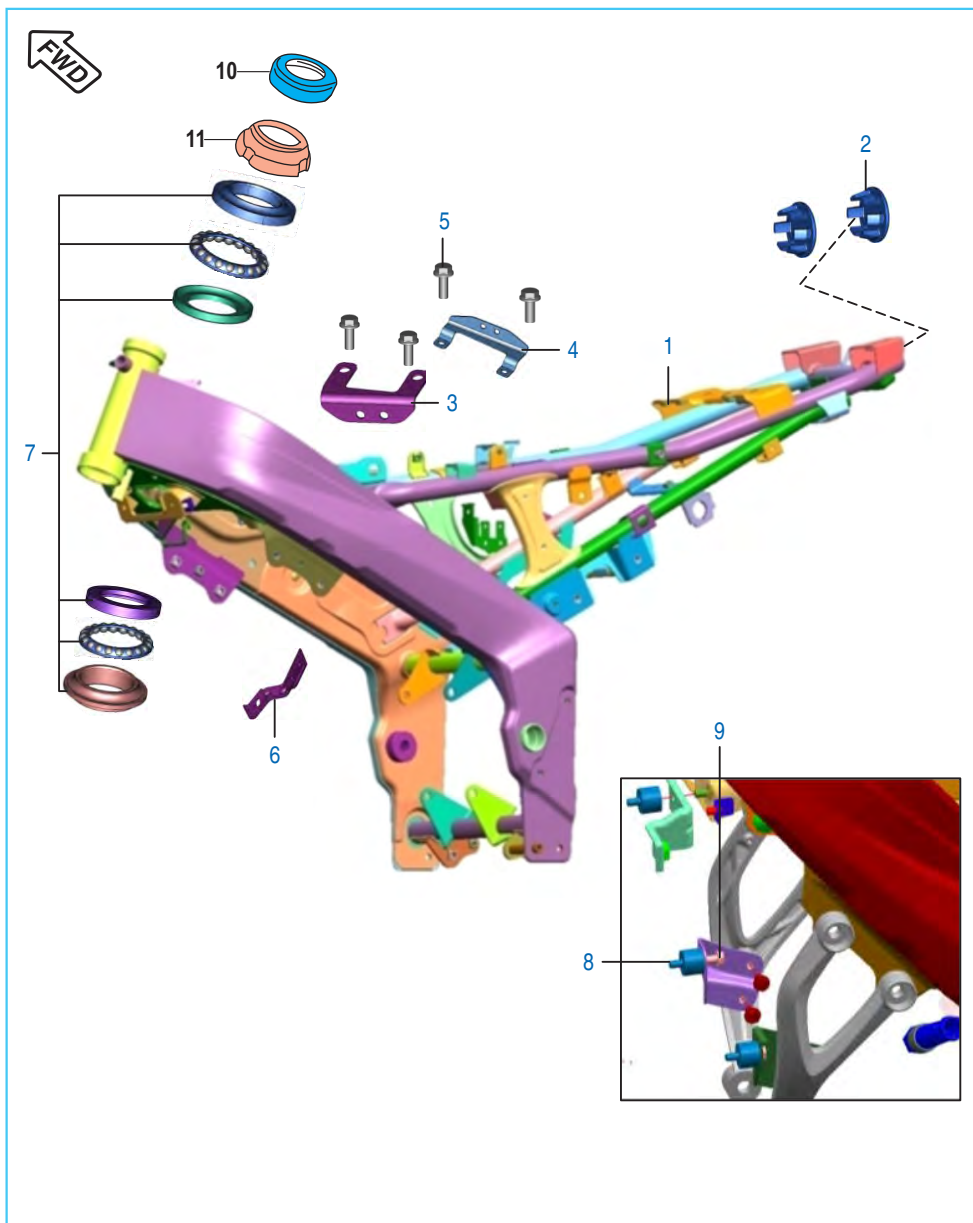
Seat Assembly / Seat Lock

No.	Part No.	Description	Qty.		Remarks
			200 NS	200 AS	
1	JL 1910 01	Seat Assy Comp Front	1	1	
2	36 JL00 13	Kit Damper For Seat	1	1	Refer Page No.107
3	DK 2110 07	Damper Seat Front	1	1	
4	JG 1910 08	Collar -Seat	2	2	
5	FD 2110 06	Grommet - Seat	2	2	
6	DS 1612 87	Flange Bolt - M6	2	2	
7	JL 1910 04	Seat Assy Comp Rear	1	1	
8	JD 1910 06	Damper Round	2	2	
9	JG 2326 01	Lock Assy Seat Rear	1	1	
10	JG 2326 06	Seat Lock Cable	1	1	
11	39 1913 04	Bolt - Flanged	2	-	
	KA DE06 20	Bolt Flanged	2	-	Ref. Cir IB-82
	KA DF06 22	Bolt Flanged	-	2	



Engine Mountings

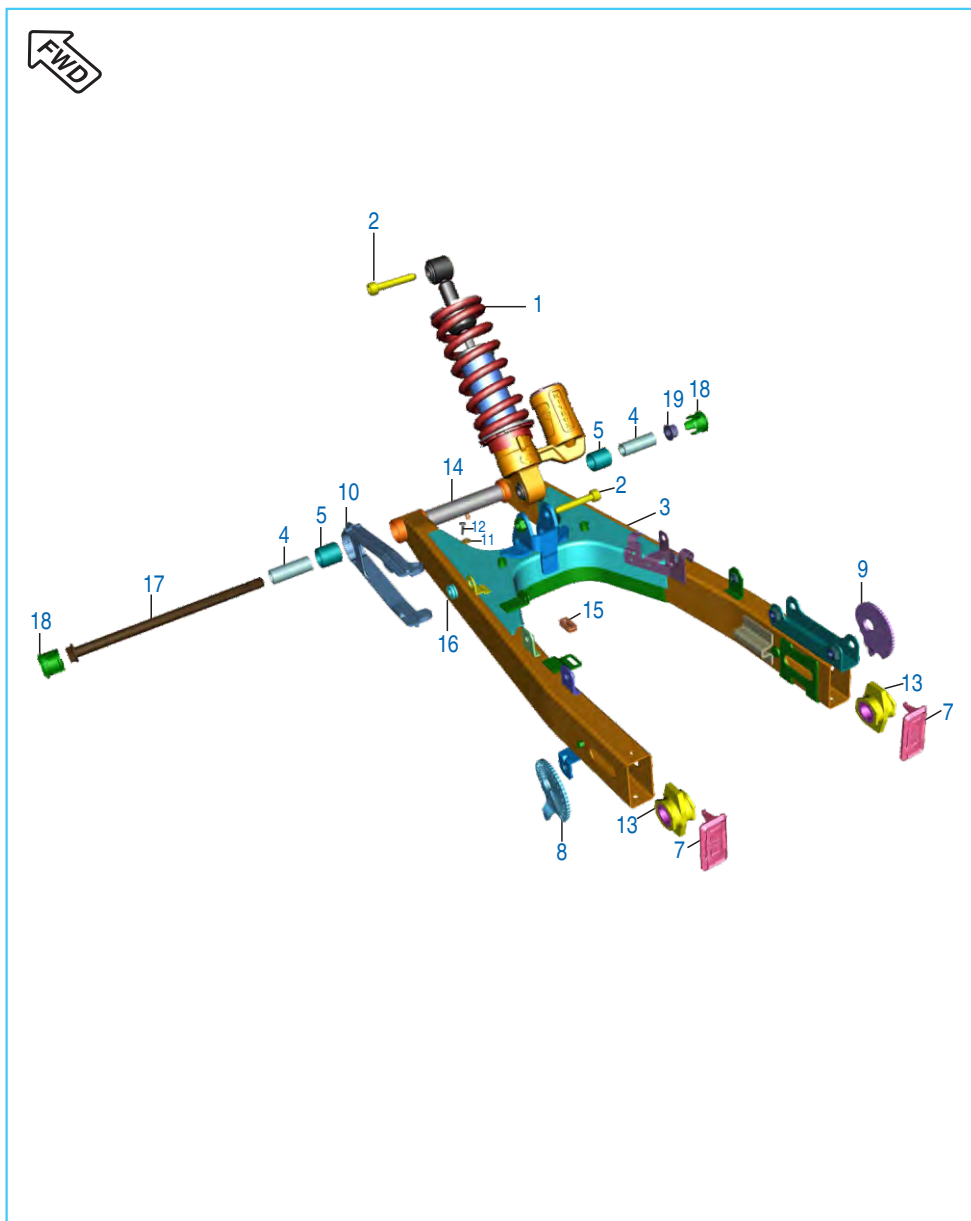
No.	Part No.	Description	Qty.		Remarks
			200 NS	200 AS	
1	56 JL06 01	Engine Stay LH	1	1	
2	56 JL07 01	Engine Stay RH	1	1	
3	39 1956 04	Bolt - Flanged Small	4	4	
4	JL 1110 54	Engine Mtg Bolt Front	1	1	
5	JA 1134 03	Flanged Bolt M10X110	2	2	
6	39 2723 15	Nut Flanged M10	2	2	
7	JL 1110 92	Bkt. Radiator Lower LH	1	1	
8	JL 1110 93	Bkt. Radiator Lower RH	1	1	
9	39 1062 04	Bolt Flanged	4	4	



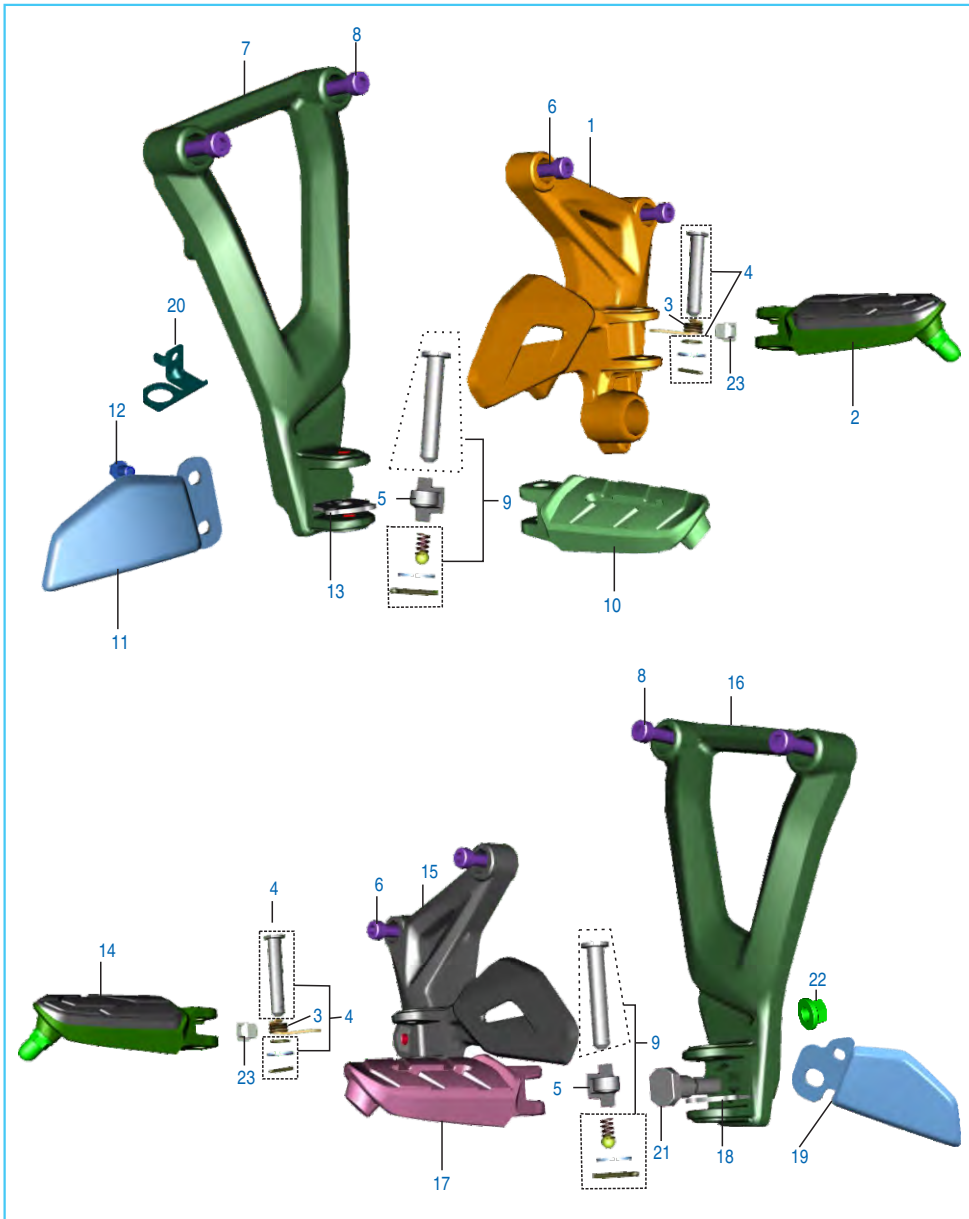
Frame and Frame Fittings

No.	Part No.	Description	Qty.		Remarks
			200 NS	200 AS	
1	JL 1111 06	Frame Assly Complete	1	-	
	JL 1112 01	Frame Assly	1	-	Ref. Cir. IB-140
	JL 1111 83	Frame Assly	-	1	
	JL 1112 33	Assly Frame EVAP	1	-	BS IV (Nepal / B'Desh)
2	JL 1111 03	Cap Tube End	2	2	
3	JL 1110 81	Bracket Loose H.T. Coil 1	1	1	
4	JL 1110 82	Bracket Loose H.T. Coil 2	1	1	
5	39 1944 04	Bolt - Flanged	4	1	
6	JL 1110 78	Bracket Horn Mtg LH	1	-	
	JL 1138 29	Bracket Horn Mtg LH	-	1	
7	36 JG00 11	Kit Steering head bearing	1	1	
8	JG 5810 14	Silent Block	4	4	
9	LA D000 40	Bolt Flange	2	2	
10	PD 1510 06	Cup Steering	1	1	
11	DK 1810 75	Nut Steering	1	1	
12	DT 1813 22	Plug -1	1	-	BS IV
13	DT 1138 55	Clamp	2	-	BS IV

Swing Arm / Rear Shock Absorber

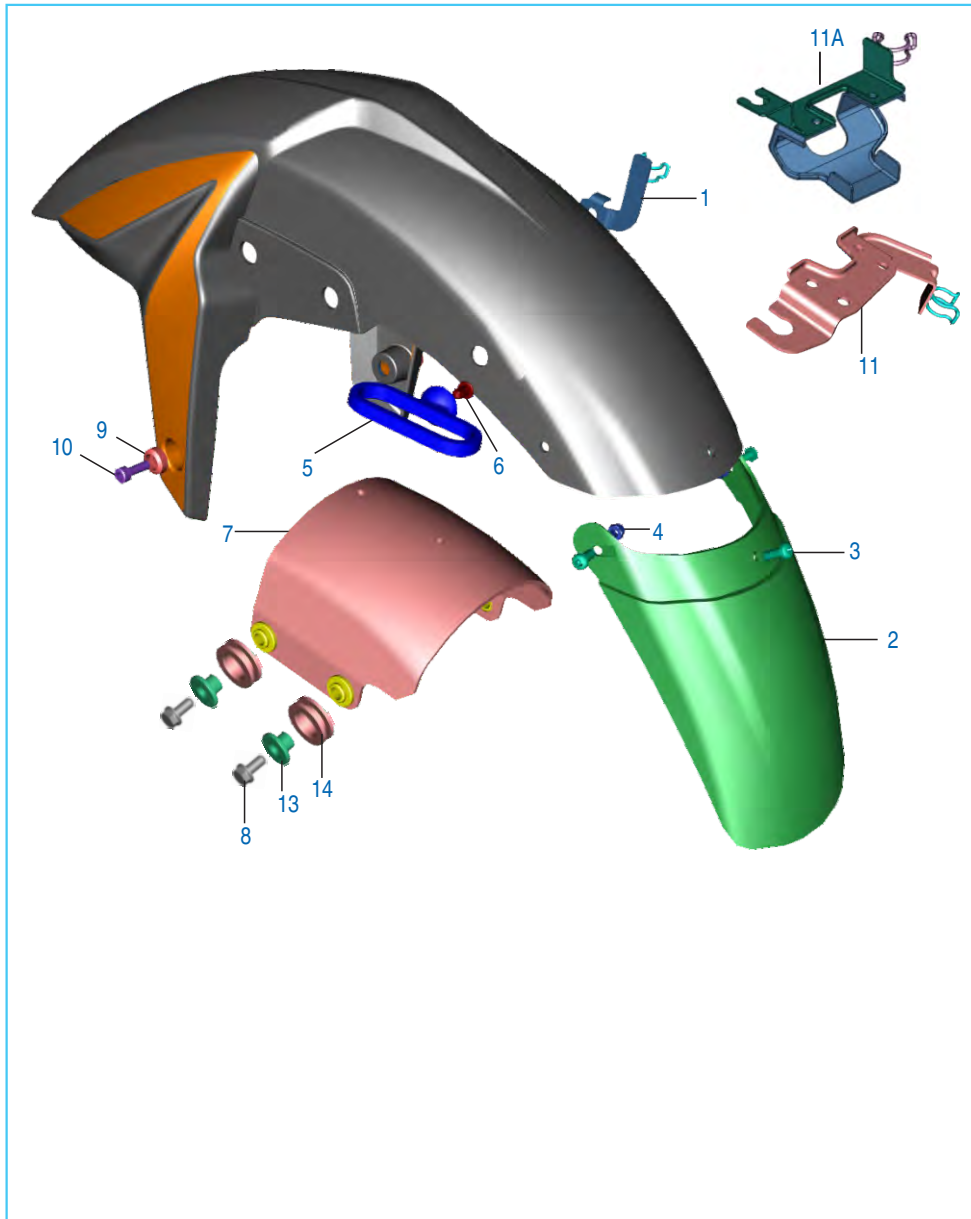


No.	Part No.	Description	Qty.		Remarks
			200 NS	200 AS	
1	JL 1220 06	Shockabsorber Mono	1	1	
2	LA C000 19	Bolt Socket M10 X 1.25 X 55	2	2	
3	JL 1220 13	Assembly Swing Arm Comp	1	-	
4	DG 1710 16	Sleeve	2	2	
5	DG 1710 18	Bearing - Needle	2	2	
6	DG 1710 19	Seal - Oil	4	4	N.I
7	JL 1220 02	Cap Swing Arm Tube	2	2	
8	JL 1220 01	Adjuster Chain Lh	1	1	
9	JL 1220 09	Adjuster Chain Rh	1	1	
10	JL 1220 03	Slider Chain	1	1	
11	39 0454 11	Washer - Plain	2	2	
12	39 0553 02	Screw - Self Tapping	2	2	
13	JL 1220 04	Spacer Chain Adjuster	2	2	
14	JL 1220 08	Spacer Central Swing Arm	2	2	
15	JL 1812 24	Grommet I	1	1	
16	JL 1812 25	Grommet li	1	1	
17	DG 1710 15	Shaft - Swing Arm	1	1	
	JL 1220 26	Shaft - Swing Arm	1	1	Ref. Cir. IB -173
18	JL 1111 09	Cap -Swing Arm Pivot	2	2	
	DT 1138 48	Cap -Swing Arm Pivot	2	2	Ref. Cir. IB -173
19	39 1053 15	Nut	1	1	



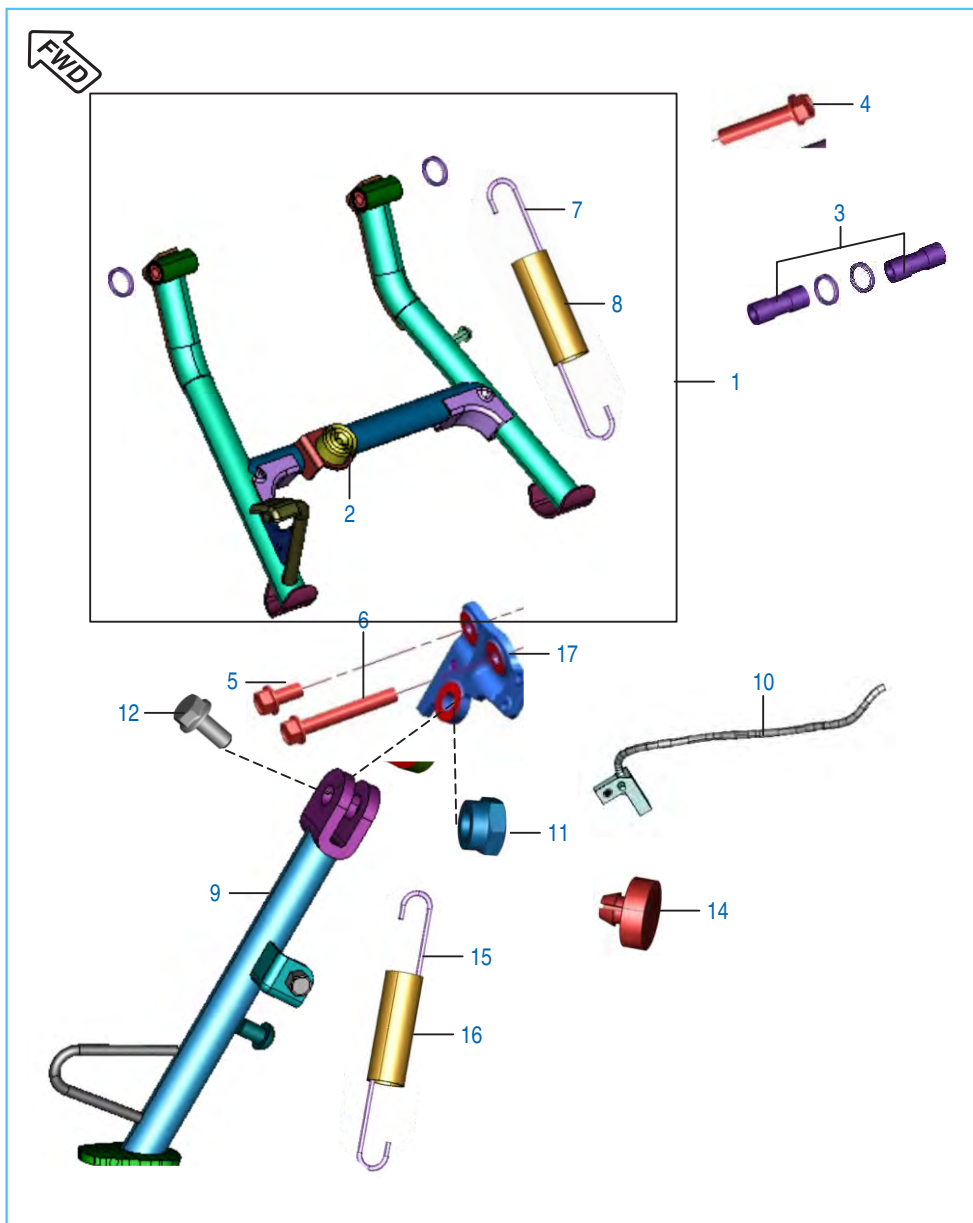
Pillion Foot Rest / Holder

No.	Part No.	Description	Qty.		Remarks
			200 NS	200 AS	
1	JL 1130 02	Holder Step RH	1	1	
2	52 JL01 59	Step Assy Main RH (MTL Color)	1	1	
	JF 1130 09	Step Assy RH	1	-	BS IV
3	JL 1130 12	Spring Torsion	1	1	
4	36 JI00 41	Kit Main Step Hardware	2	2	
5	JL 1130 36	Rubber Main Step Pillion	2	2	
6	KA CA08 20	Bolt-Socket Dia-08 L-20	4	4	
7	JL 1130 15	Step Holder - Pillion RH	1	1	
8	LA C000 16	Bolt Socket M8X35	4	4	
	LA C000 46	Bolt Socket	4	-	BS IV
9	36 JL00 15	Kit Pillion Hardware	2	2	
10	JL 1130 16	Step Pillion Assy Complete RH	1	1	
	56 JL02 01	Step Pillion Assy RH(moon light silver)	1	1	
11	JL 1130 27	Flap Pillion Holder RH	1	1	
12	KA DE06 10	Bolt - Flanged :- Small	4	4	
	KA ET06 10	Bolt - Flanged :- Small	3	-	BS IV
13	DT 1130 15	Lock Plate RH	1	1	
14	52 JL01 58	Step Assy Main LH(MTL Color)	1	1	
15	JL 1130 34	Holder Step LH	1	1	
	JL 1130 57	Holder Step LH	1	-	BS IV
16	JL 1130 13	Step Holder Pillion LH	1	1	
17	JL 1130 17	Step Pillion Assy Complete LH	1	1	
	56 JL01 01	Step Pillion Assy LH (moon light silver)	1	1	Ref. Cir IB-82
18	DT 1130 14	Lock Plate LH	1	1	
19	JL 1130 26	Flap Pillion Holder LH	1	1	
20	JL 1130 33	Bracket Rear Brake Switch	1	1	
21	JL 1130 38	Step bolt	1	1	
22	39 1055 15	Nut Hex. with flange- M10	1	1	
23	JZ 1130 61	Rubber Pad Step	2	2	



Mudguard - Front & Rear

No.	Part No.	Description	Qty.		Remarks
			200 NS	200 AS	
1	JL 1138 34	Bracket Hose Clamp	1	1	
2	JL 1814 05	Mud Flap Front	1	1	
3	KB BA05 12	Screw Pan Cross	6	6	
4	39 0326 15	Nut Nyloc	6	6	
5	DS 1611 25	Cable Guide	1	1	
6	DS 1610 69	Nail Cable Guide	1	1	
7	JL 1814 02	Bracket Brace Fender	1	1	
	JL 1814 64	Fender Brace	1	-	
	JL 1814 64	Bracket Brace Fender	1	-	Ref.Cir.IB-266
8	39 1946 04	Bolt Flanged	4	-	
	KA DF08 20	Bolt Flanged	-	4	
9	JL 1814 11	Cup Washer Front Fender Mtg	2	2	
	DT 1814 34	Cup Washer Front Fender Mtg	2	-	Ref. Cir. IB-266
10	KA CH06 16	Bolt Socket Head	2	2	
	KA CA05 20	Bolt Socket Head	2	-	Ref. Cir. IB-266
11	JL 131812	Clamp Brake Hose	1	-	
11A	DT 1318 32	Clamp Brake Hose	-	1	
12	39 0242 11	Washer Plain	6	-	N.I
	KD Aa05 10	Washer Plain	-	6	N.I
13	JL 1814 68	Collar Fr Fender	2	-	Ref. Cir. IB-266
14	DJ 1610 91	Grommet Front Fender	4	-	Ref. Cir. IB-266
15	DT 1814 35	Grommet Front Fender	2	-	N.I Ref. Cir. IB-266

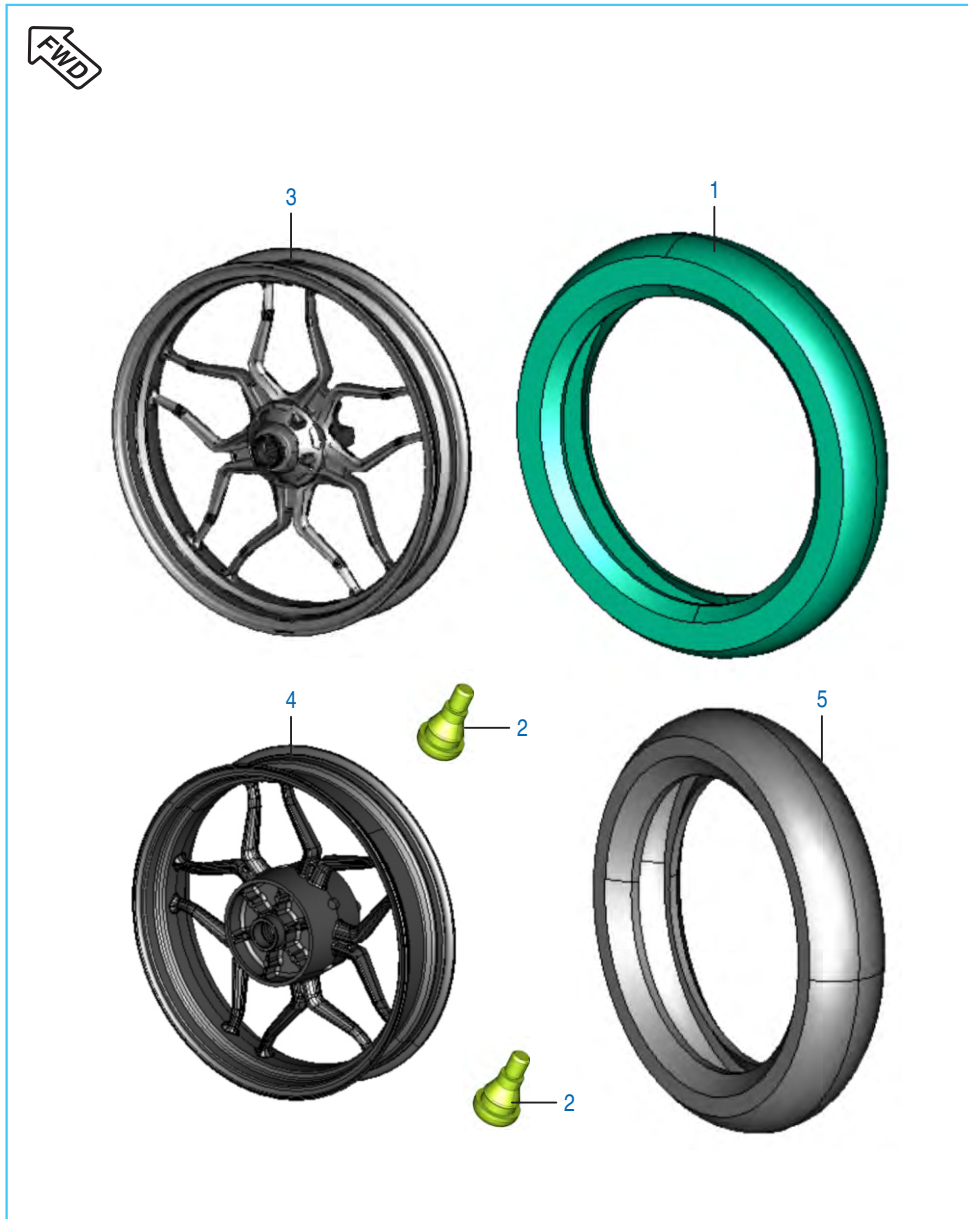


 Front Wheel Direction

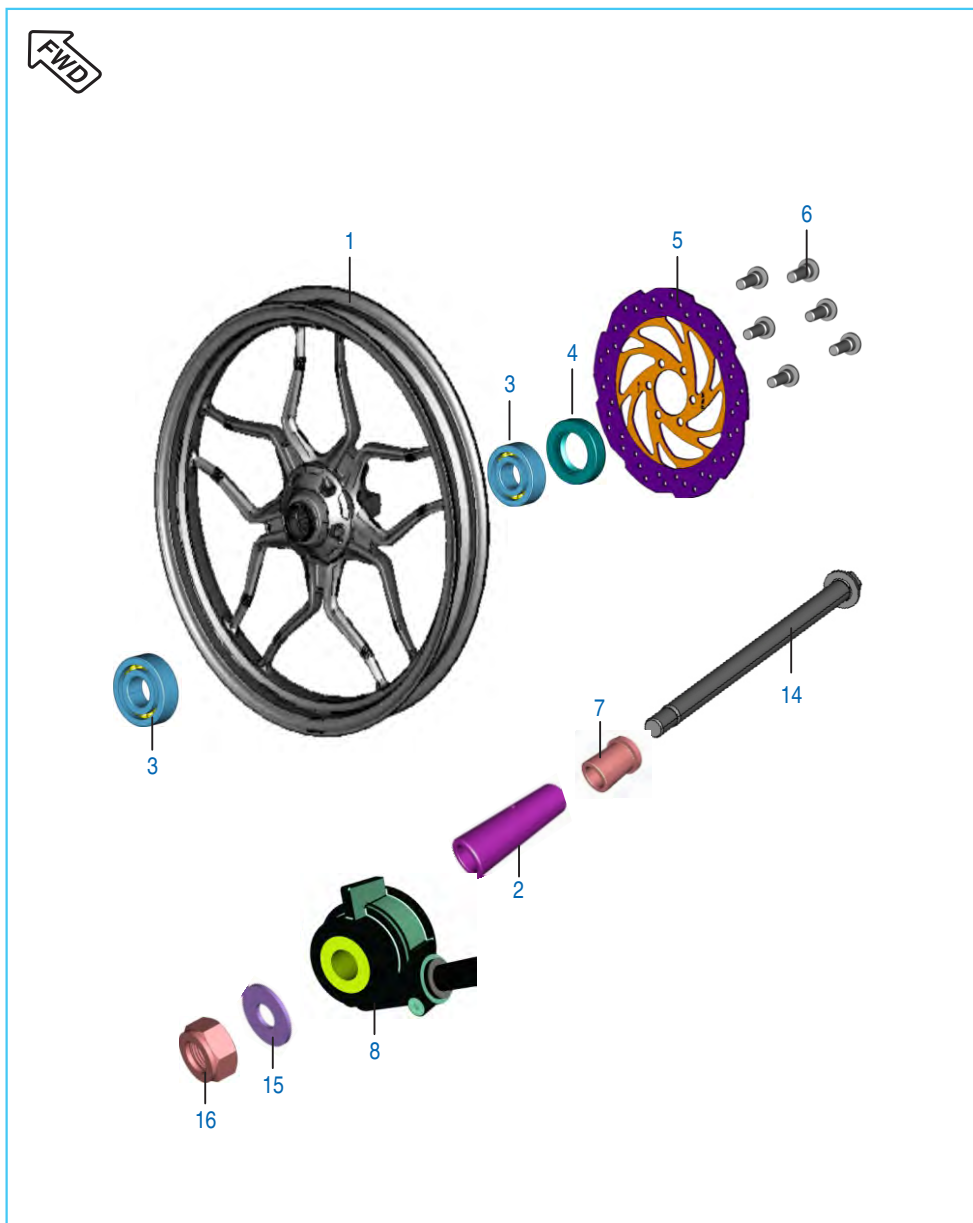
Stand Assembly

No.	Part No.	Description	Qty.		Remarks
			200 NS	200 AS	
1	36 JL00 25	Kit Center Stand	1	-	As an accessories
2	DG 1611 24	Damper	1	-	
3	JL 1132 10	Bush Main Stand LH	2	-	
4	39 1941 04	Bolt - Flanged M8	1	-	
5	39 1946 04	Bolt - Hexagon M8 X 1.25	1	1	
	39 1689 04	Bolt - Hexagon M8	-	1	
6	39 2469 04	Bolt Flanged	1	-	
	LA D001 35	Bolt Flanged	-	1	
7	JL 1132 07	Spring Main Stand	1	-	
8	JL 1132 12	Cover Spring Main Stand	1	-	
9	JL 1132 01	Assembly Side Stand	1	1	
10	JL 4014 02	Switch Side Stand	1	1	
11	39 0422 15	Nut - Nyloc M10	1	1	
12	DF 1611 02	Bolt For Side Stand Mounting	1	1	
13	39 2060 04	Bolt - Flanged	1	-	
	KA DB05 16	Bolt Flanged	-	1	
14	JL 4036 00	Magnet Assembly	1	1	
15	JL 1132 09	Spring Side Stand	1	1	
16	DH 1611 46	Cover - Spring Side Stand	1	1	
17	52 JL00 72	Bracket Side Stand Mtg	1	1	

Tube / Tyre / Rim



No.	Part No.	Description	Qty.		Remarks
			200 NS	200 AS	
1	DT 1310 18	Tyre Tubeless (Size 100/80-17)	1	1	
2	DK 1510 26	Valve Tubeless Tyre	2	2	
3	JL 1310 04	Wheel Rim 2.5X17	1	1	
4	JL 1312 09	Wheel Rim 3.5X17	1	1	
5	DT 1312 22	Tyre 130/70-17	1	1	



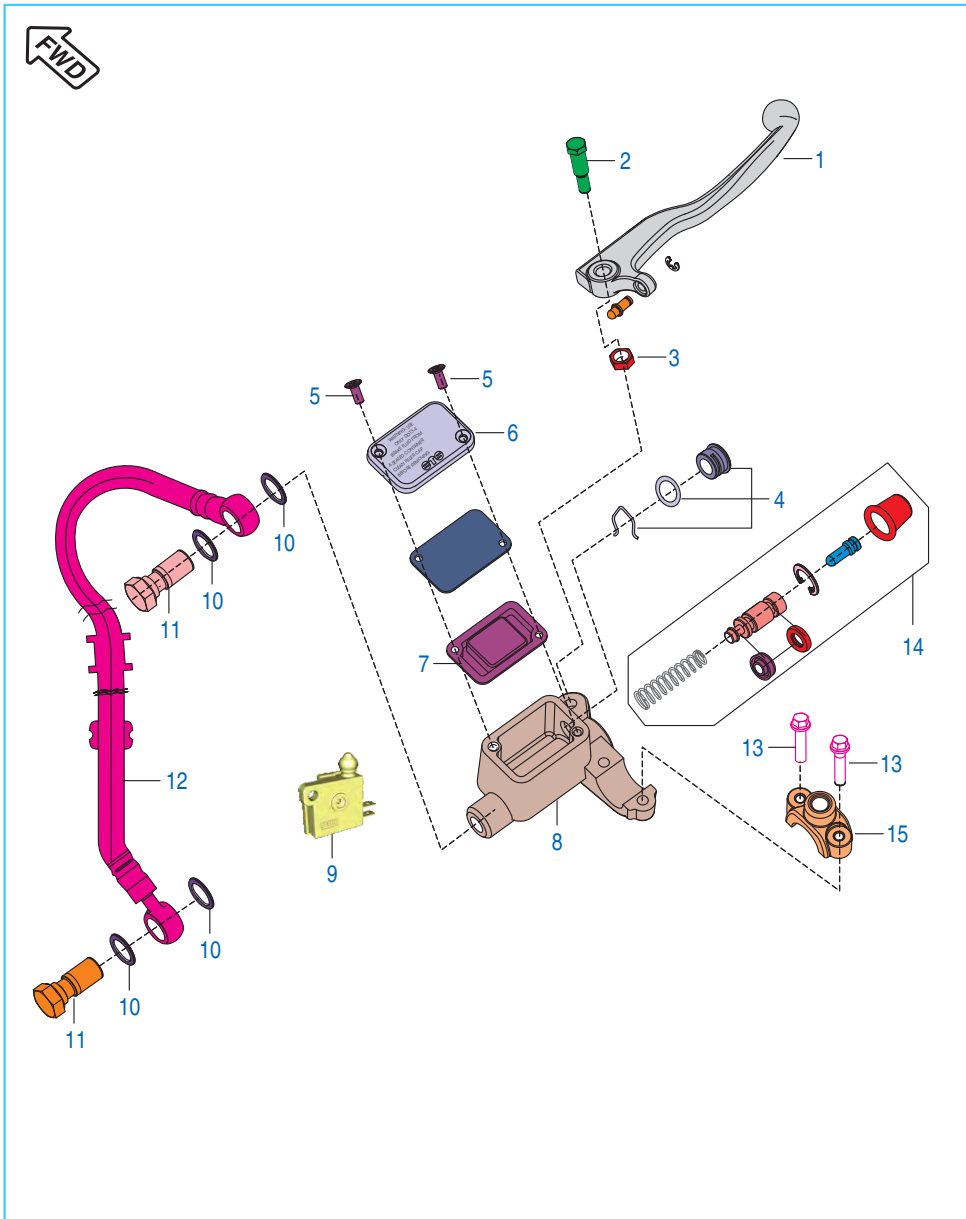
FWD Front Wheel Direction

Plate No.: 33

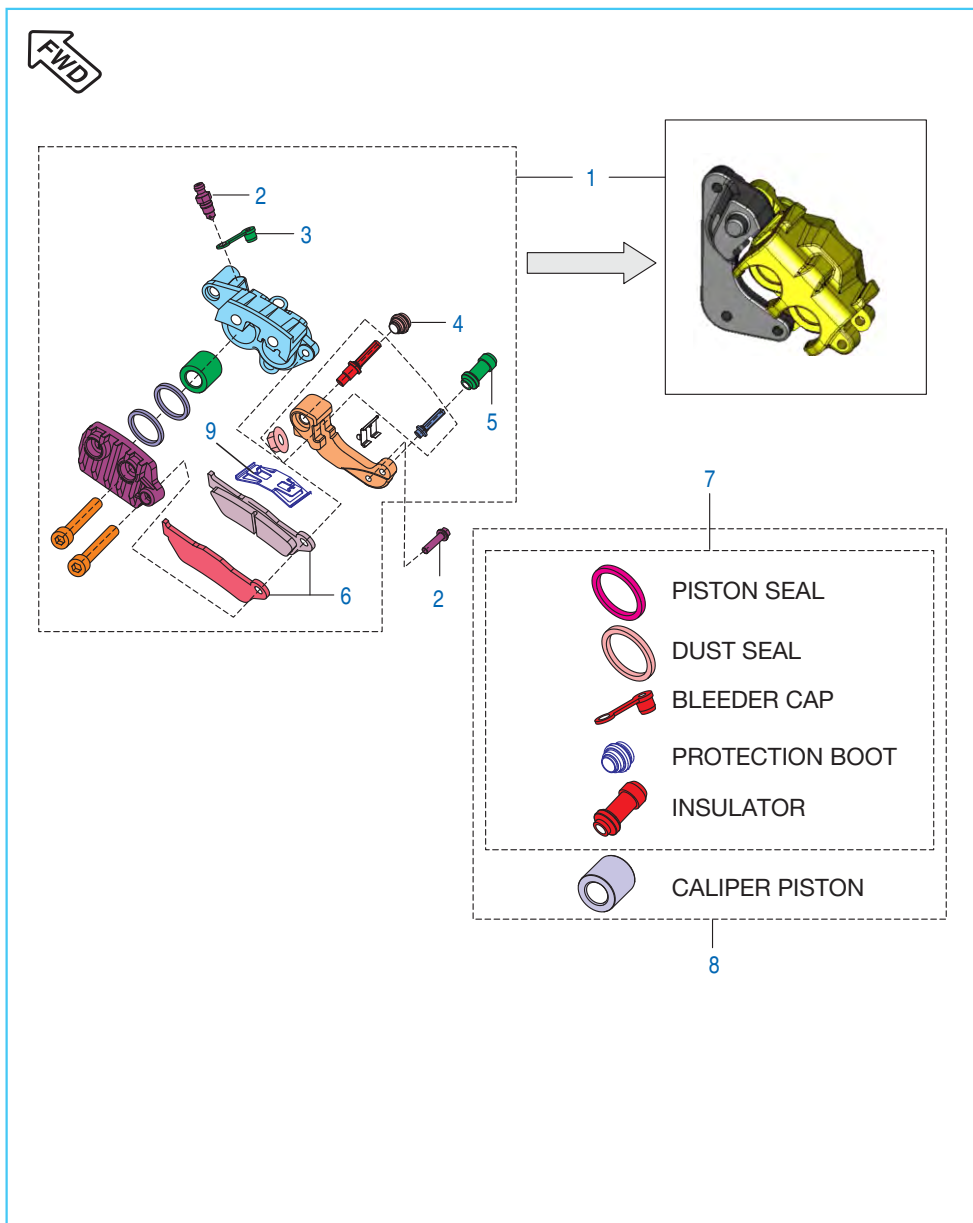
Front Hub

No.	Part No.	Description	Qty.		Remarks
			200 NS	200 AS	
1	JL 1310 04	Wheel Front	1	1	
2	JG 1310 01	Spacer	1	1	
3	39 2241 20	Bearing - Ball	2	-	
	KP BC 62 02	Bearing - Ball	-	2	
4	DG 1510 05	Seal - Oil	1	1	
5	JL 1310 05	Disc Front	1	-	
	52 JL01 41	Disc Front (Black)	1	1	Ref. Cir. IB-82
6	JD 1318 11	Special Bolt M8	6	6	
7	JL 1310 00	Collar	1	1	
8	JC 1510 20	Case Meter Housing(W/O Sensor)	1	1	
10	JC 2010 46	Stopper (Sensor Mtg)	1	1	N.I.
11	59 2100 19	'O' Ring (Sensor)	1	1	N.I.
12	39 0900 12	Washer - Spring (Sensor Mtg)	1	1	N.I.
	KD DB04 08	Washer Spring Thin	1	-	BS IV
13	39 0840 01	Screw Pan Cross-M4(Sensor Mtg)	1	1	N.I.
	KB BA04 08	Screw Pan Cross	1	-	BS IV
14	JL 1310 01	Axle	1	1	
15	LD B000 29	Washer	1	1	
16	LC J000 02	Nut - U M14	1	1	

Front Master Cylinder

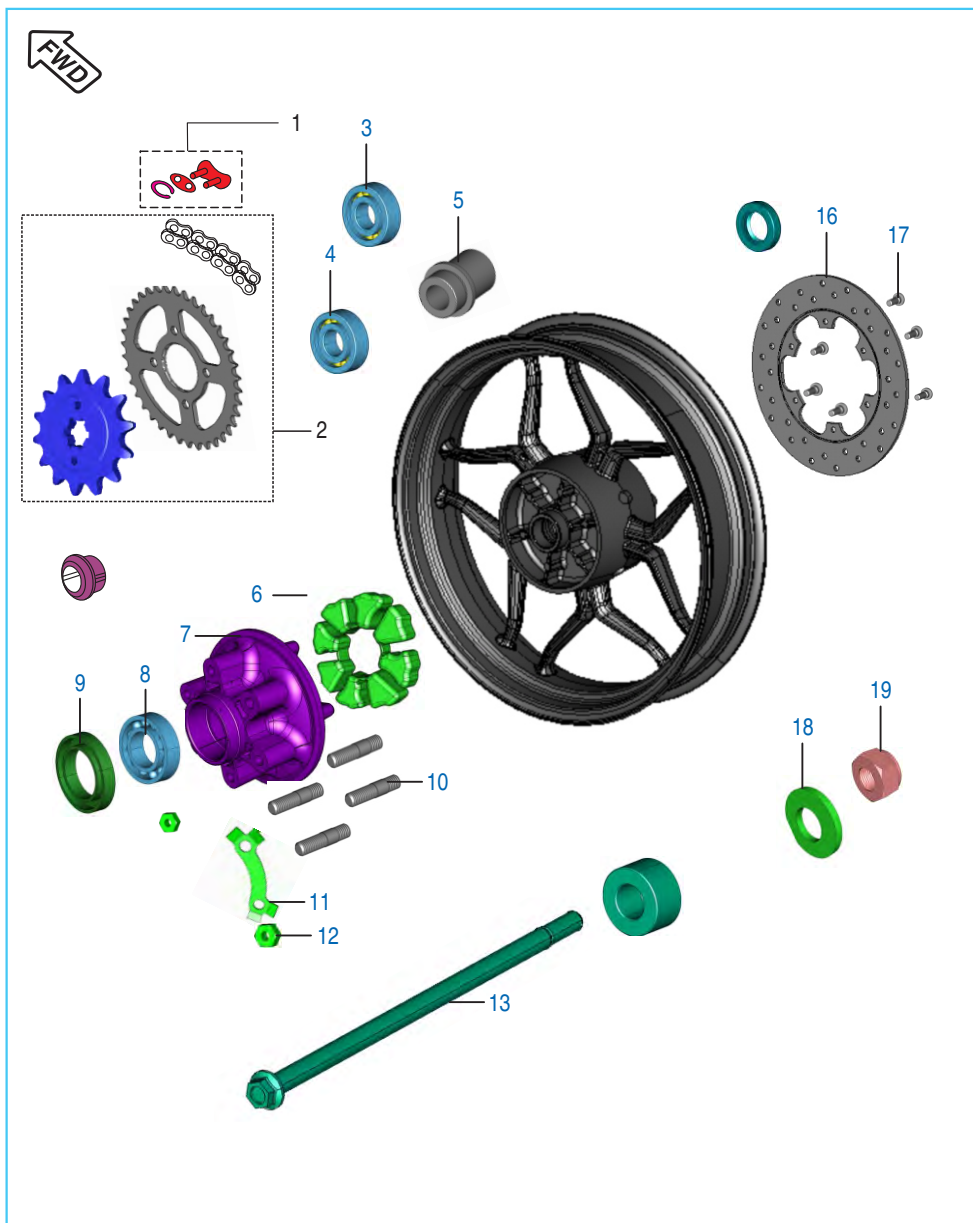


No.	Part No.	Description	Qty.		Remarks
			200 NS	200 AS	
1	DJ 1910 57	Lever Front Brake	1	-	
	JG 1610 10	Lever Front Brake	-	1	
2	DJ 1910 29	Bolt Front Bracket I	1	1	
3	DJ 1910 30	Nut	1	1	
4	36 Dh19 02	Oil Window Kit	1	1	
5	DJ 1910 31	Screw	2	2	
6	DE 1910 29	Cover - Reservoir	1	1	
7	DE 1910 28	Diaphragm	1	1	
8	DJ 1910 56	Master Cylinder with lever	1	-	
	JL 1319 18	Master Cylinder with lever	-	1	
9	DJ 2011 09	Front Brake Switch	1	1	
10	DE 1910 10	Washer - Copper	4	4	
11	DK 1510 69	Bolt - Banjo	2	2	
12	JL 1318 02	Hose Assembly	1	1	
	JL 1319 19	Hose Assembly Front Brake	1	-	BS IV
13	LA D000 37	Bolt Flanged M8X1X50	2	2	
14	DJ 1910 23	Major Kit M-1	1	1	
15	DE 1910 33	Clamp - Holder : RH	1	1	



Front Disc Brake

No.	Part No.	Description	Qty.		Remarks
			200 NS	200 AS	
1	JL 1318 04	Caliper Assy Brake Front	1	1	
2	JL 1318 06	Screw Bleeder	1	1	
3	DE 1510 47	Bleeder Cap	1	1	
4	JL 1318 07	Boot	1	1	
5	DE 1910 33	Spring	1	1	
6	JL 1318 05	Pad	1	1	
	JL 1318 32	Pad Set Brake Front	1	-	Model BS IV
7	DJ 1510 74	Minor Kit	1	1	
8	DJ 1510 75	Major Kit	1	1	
9	JL 1318 25	Spring Pad	1	1	

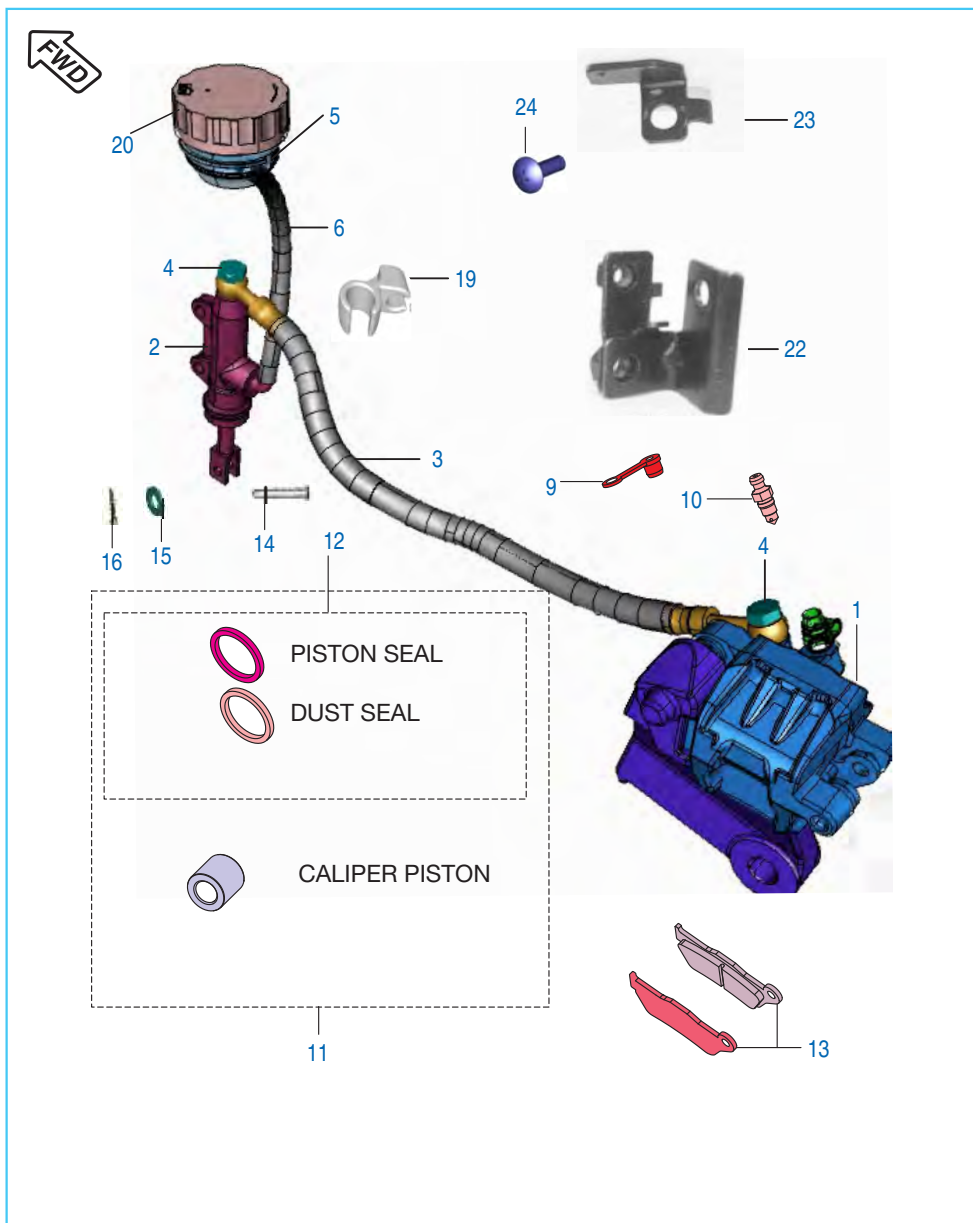


FWD Front Wheel Direction

Plate No.: 36

Rear Hub

No.	Part No.	Description	Qty.		Remarks
			200 NS	200 AS	
1	DK 1510 36	Lock Set	1	1	
2	36 JL00 09	Kit Chain Sprocket	1	1	
3	39 2241 20	Bearing - Ball	1	-	
	KP BC62 02	Bearing - Ball	-	1	
4	39 2242 20	Bearing - Ball	1	-	
	KP BC63 02	Bearing - Ball	-	1	
5	JL 1312 16	Collar Bearing Assy	1	1	
6	JL 1312 32	Coupling Rubber	1	1	
7	JL 1312 25	Coupling	1	1	
8	DK 1510 13	Bearing Coupling	1	1	
9	DK 1510 12	Oil Seal	2	2	
	30 1510 82	Oil Seal	2	-	BS IV
10	LA A000 19	D Bolt	6	6	
11	JL 1312 26	Washer 6 Rubber	3	3	
12	LC A000 09	Nut	6	6	
13	JL 1312 03	Axle	1	1	
14	DK 1510 15	Sleeve	1	1	
15	JL 1312 11	Spacer for Coupling	1	1	
16	JL 1312 18	Disc Rear	1	-	
	52 JL01 42	Disc Rear (Black)	1	1	Ref. Cir. IB-82
	JL 1319 30	Disc Rear	1	1	From JUL'16
17	39 2038 04	Bolt Hex	6	6	
18	LD B000 29	Washer	2	2	
19	LC J000 02	Nut - U	1	1	
20	DK 1510 81	Spacer I	1	1	
21	DK 1510 82	Spacer II	1	1	

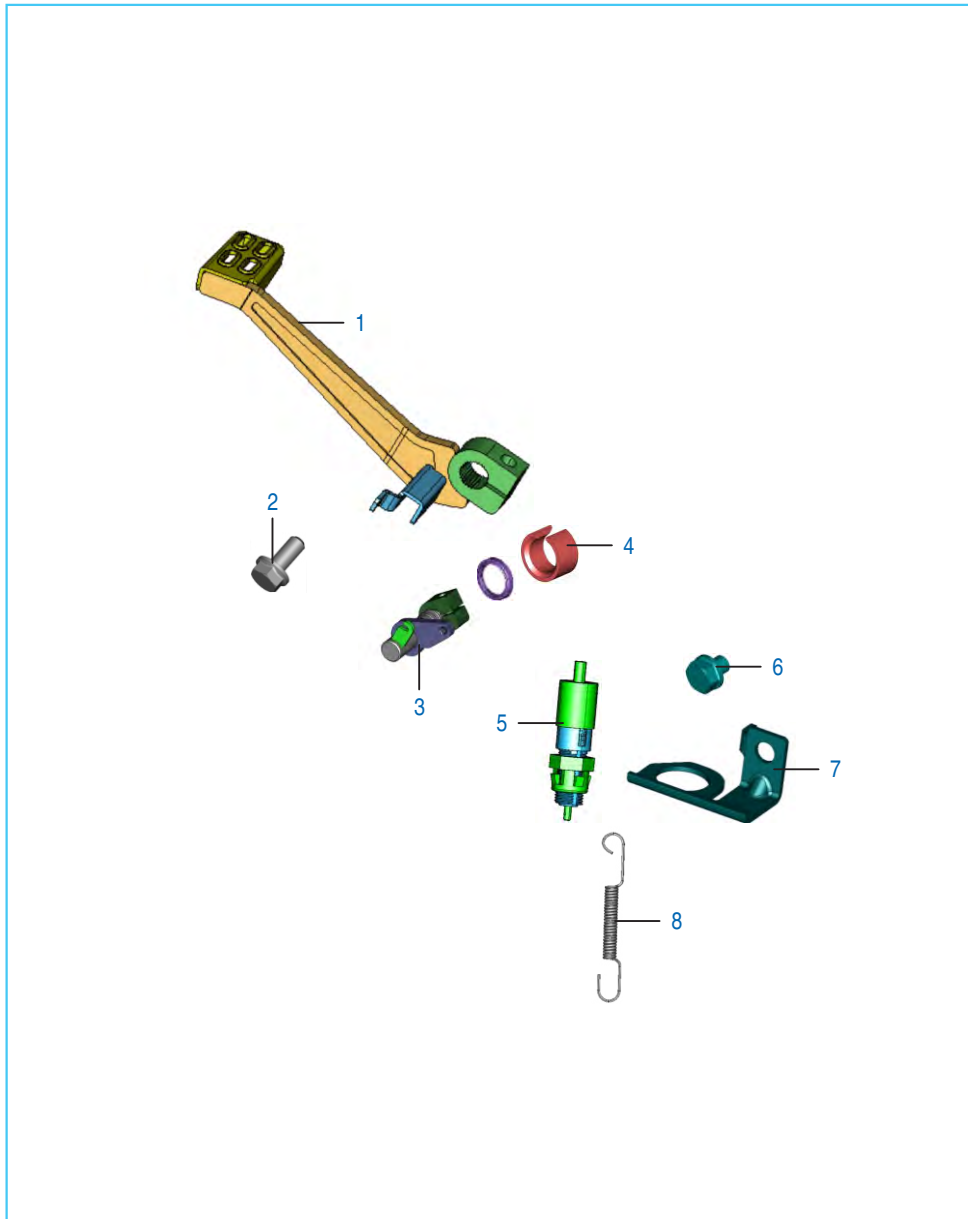


FWD Front Wheel Direction

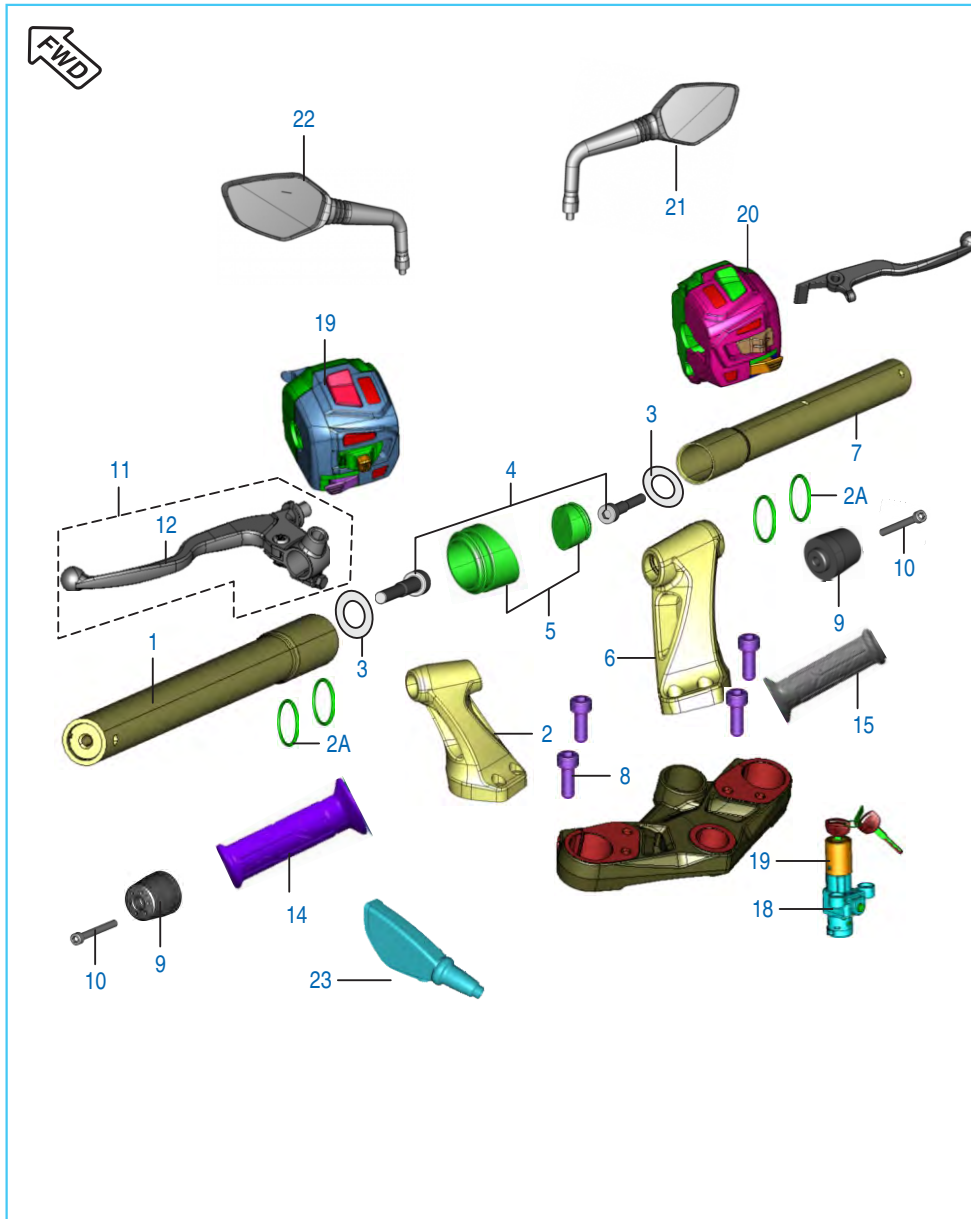
Rear Disc Brake System

No.	Part No.	Description	Qty.		Remarks
			200 NS	200 AS	
1	DK 1510 83	Assembly Caliper	1	1	
	JL 1318 34	Assembly Caliper	1	-	BS IV
2	DK 1510 31	Assembly Master Cyl. Rear	1	1	
	JL 1319 31	Cyl. Assly Master Rr.	1	-	BS IV
3	JL 1318 03	Hose Disc Brake Rear	1	1	
4	DK 1510 69	Banjo Bolt	2	2	
5	JG 1318 21	Reservoir Rear Brake	1	1	
6	JL 1312 20	Hose - Reservoir	1	1	
7	DK 1510 63	Clip Reservoir	1	1	Cap Reservoir (N.I.)
8	DE 1910 10	Copper Washer	4	4	Banjo Bolt (N.I.)
9	DE 1510 47	Cap Bleeder Screw	1	1	
10	DE 1510 46	Bleeder Screw	1	1	
11	DK 1510 88	Caliper Piston Kit	1	1	
12	DK 1510 89	Caliper Piston Seal Kit	1	1	
13	DK 1510 85	Set Disc Pad	1	1	
14	30 1910 38	Pin	1	1	
15	39 0198 11	Washer Plain	1	1	
	LD B000 18	Washer Plain	1	-	BS IV
16	39 0808 08	Split Pin	1	1	
17	DK 1510 73	Master Cyl. Major kit	1	1	N.I.
18	DK 1510 74	Master Cyl. Minor kit	1	1	N.I.
19	JL 1318 77	Clamp	1	1	
20	DK 1510 45	Cap Reservoir Rear Brake	1	1	
21	36 JG00 18	Reservoir with Cap Rear Brake	1	1	N.I.
22	JL 1318 41	Bracket Reservoir mounting	1	1	
23	JL 1318 78	Bracket Reservoir Cap	1	1	
24	39 1698 01	Screw	1	1	
	KB BA05 12	Screw Pan Cross	1	-	BS IV
25	DK 1510 90	Insulator Kit	1	1	N.I.

Rear Brake Pedal



No.	Part No.	Description	Qty.		Remarks
			200 NS	200 AS	
1	JL 1610 01	Brake Pedal	1	1	
2	59 0400 48	Bolt - Flanged : M8	1	1	
3	JL 1610 10	Shaft Assy Brake Lever	1	1	
4	DH 1910 13	Spacer Brake Shaft assy.	1	1	
5	31 2010 79	Switch - Rear Brake	1	-	
	JL 4014 06	Switch - Rear Brake	-	1	
6	39 2475 04	Hex. head bolt	1	-	
	KA EA06 08	Bolt flanged	-	1	
7	JL 1130 33	Bracket Rear brake switch	1	1	
8	JL 1610 06	Spring Rear Brake Switch	1	1	
9	DH 1910 06	Spring - Brake Pedal	1	1	N.I.



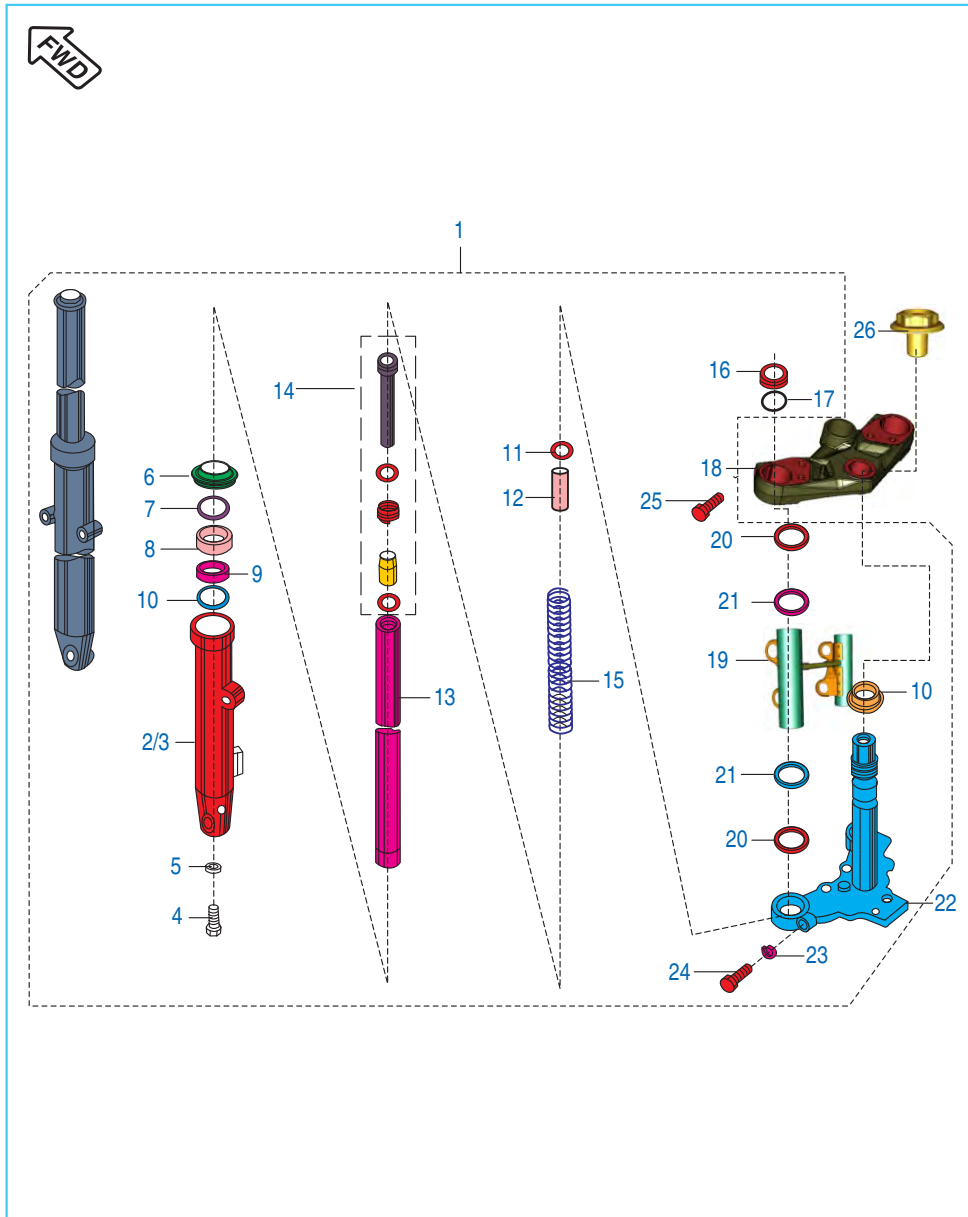
FWD Front Wheel Direction

Plate No.: 39

Handle Bar Assly

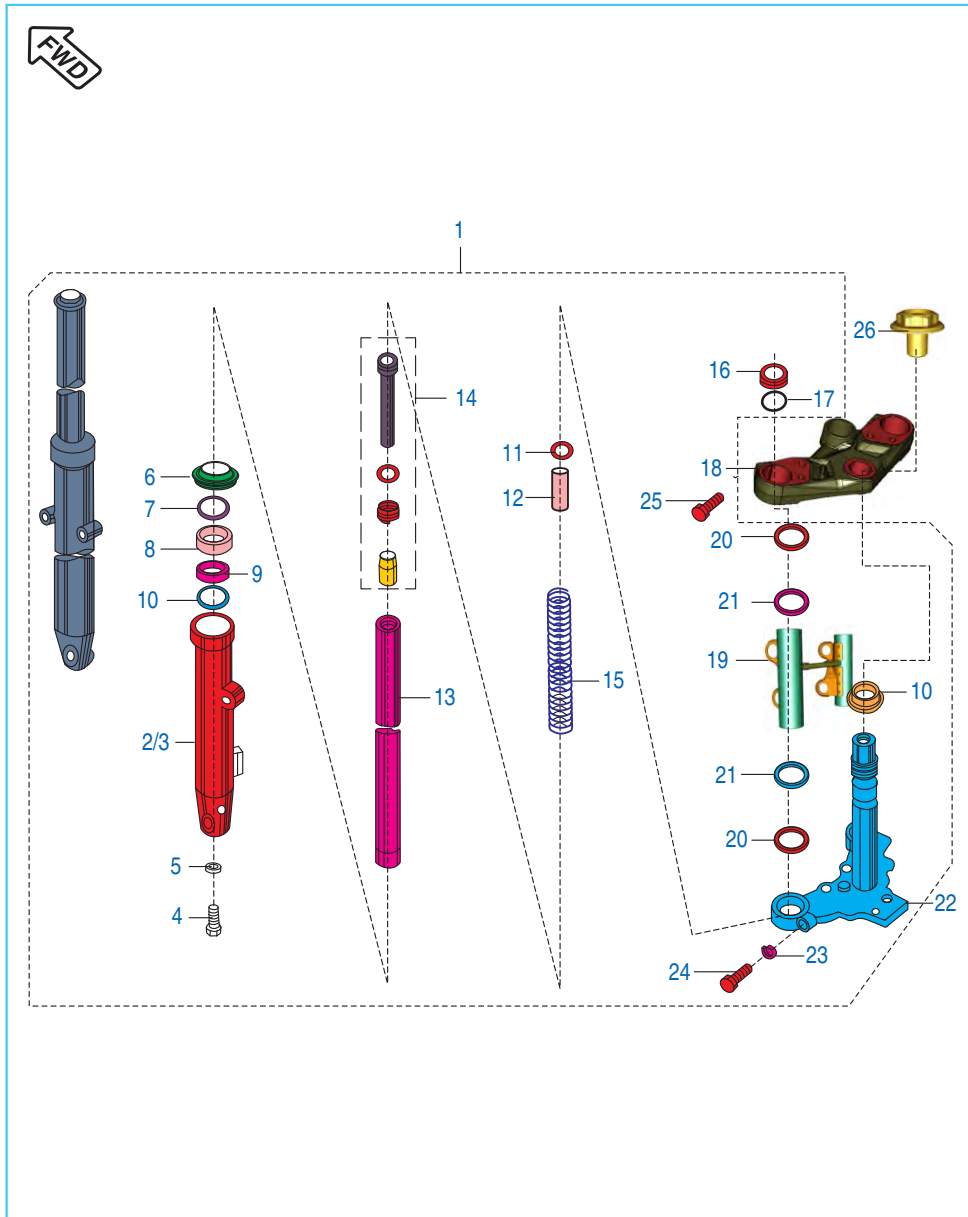
No.	Part No.	Description	Qty.		Remarks
			200 NS	200 AS	
1	JL 1510 21	Handle Bar Tube LH assly.	1	1	
2	JL 1510 26	Holder Handle LH	1	-	
	56 JL31 5X	Holder Handle LH (Stoic Black)	1	1	Ref. Cir. IB-82
2A	JL 1510 38	O ring	4	4	
3	39 1180 11	Washer - Plain	2	-	
	KD BA08 18	Washer - Plain	-	2	
4	LA C000 20	Bolt Socket M8X1.25Px55L	2	2	
5	JL 1510 28	Plug Handle Holder	2	2	
6	JL 1510 30	Holder Handle RH	1	-	
	56 JL32 5X	Holder Handle RH (Stoic Black)	1	1	Ref. Cir. IB-82
7	JL 1510 34	Handlebar Tube Assy RH	1	1	
8	DG 1810 08	Bolt - Socket	4	4	
9	JL 1510 35	Handlebar Weight	2	2	
10	39 2427 04	Bolt - Hexagon Socket Head Cap:M6	2	2	
11	DJ 1910 82	Lever & Support Holder Assly LH	1	-	
	JL 1610 15	Lever & Support Holder Assly LH	-	1	BS IV
	JL 1610 13	Lever & Support Holder Assly	1	-	
12	DJ 1910 83	Lever LH For New Clutch Switch	1	-	
	JG 1610 08	Lever LH For New Clutch Switch	-	1	
13	DJ 2012 46	Clutch Switch (6Amp Diode)	1	-	N.I.
	JL 4014 11	Clutch Switch	-	1	
14	JL 1610 03	Handle Grip LH	1	1	
15	JL 1610 08	Grip Hand Assy RH	1	-	
	DT 1610 05	Grip Hand Assy RH	-	1	
16	DH 1910 17	Pipe - Throttle	1	1	N.I.
17	JL 1510 23	Lock Set 3 In 1	1	-	N.I.
	DT 2326 01	Lock Set 3 In 1	-	1	
	JL 2326 05	Lock Set 3 In 1 +Tank Cap	1	-	BS IV
18	JL 4014 03	Switch Ignition	1	1	
19	JL 4014 00	Switch Control LH	1	-	
	JL 4014 09	Switch Control LH	-	1	
20	JL 4014 01	Switch Control RH	1	-	
	JL 4014 10	Switch Control RH	-	1	
	JL 4014 05	Switch Control RH AHO	1	-	BS IV
21	JL 2316 01	Mirror Assly RH	1	1	
22	JL 2316 00	Mirror Assly LH	1	1	
23	DS 1910 52	Lever Boot LH	1	-	BS IV

Front Fork

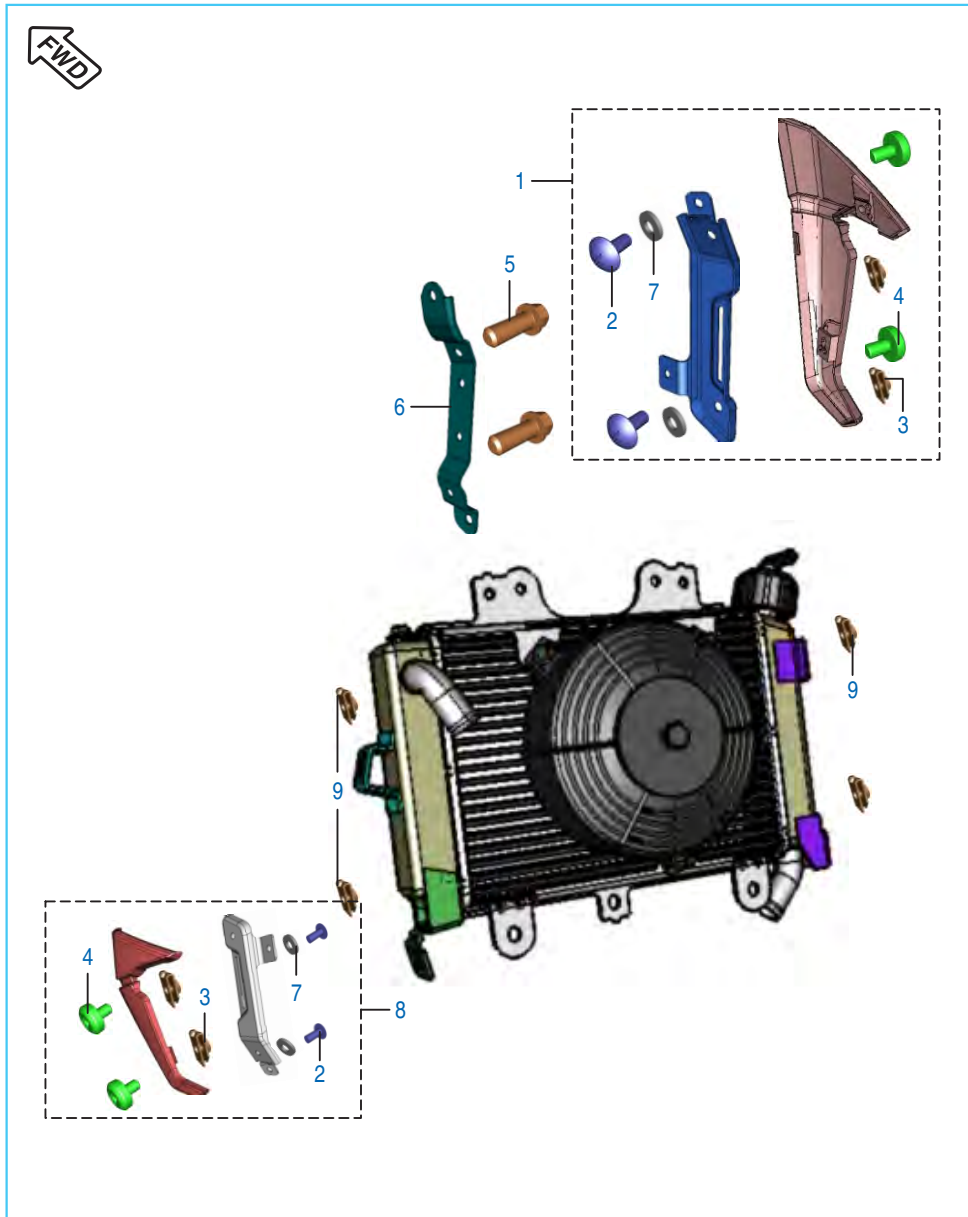


No.	Part No.	Description	Qty.		Remarks
			200 NS	200 AS	
1	JL 1510 24	Fork Assly- Front	1	1	
	JL 1210 05	Fork Assly- Front	1	-	Ref. Cir. IB-266
2	JL 1510 02	Tube Outer LH	1	1	
	DT 1210 48	Tube Outer LH	1	-	
3	JL 1510 03	Tube Outer RH	1	1	
	DT 1210 40	Tube Outer RH	1	-	
4	DK 1810 06	Socket Headed Bolt - M10 X1.5X35	2	2	
5	DK 1810 07	Copper Washer	2	2	
6	DK 1810 21	Inner Dust Seal	2	2	
7	DK 1810 18	Washer Seal	2	2	
8	DK 1810 19	Oil Seal	2	2	
9	DK 1810 17	Guide Bush	2	2	
10	DK 1810 20	Oil Seal Stopper	2	2	
11	DK 1810 15	Washer	2	2	
12	JL 1510 12	Spacer Tube	2	2	
13	JL 1510 04	Fork Pipe Spinning	2	2	
	JL 1210 08	Fork Pipe Spinning	2	-	
14	DK 1810 09	Cap Oil Lock	2	2	
	DK 1810 10	Seat Pipe	2	2	
	DK 1810 12	Piston Ring	2	2	
	DK 1810 13	Rebound Spring	2	2	
	DK 1810 11	Side Bush	2	2	
15	JL 1210 01	Spring Main Spring	2	2	
16	DK 1810 22	Fork Bolt	2	2	
17	DK 1810 23	O' Ring	2	2	
18	JL 1510 32	Upper Bracket	1	-	
	56 JL33 5X	Upper Bracket (Stoic Black)	1	1	Ref. Cir. IB-82
19	JL 1812 35	Lamp Shade Assy	1	-	
20	JC 1810 23	Cover Cushion	4	-	

Front Fork



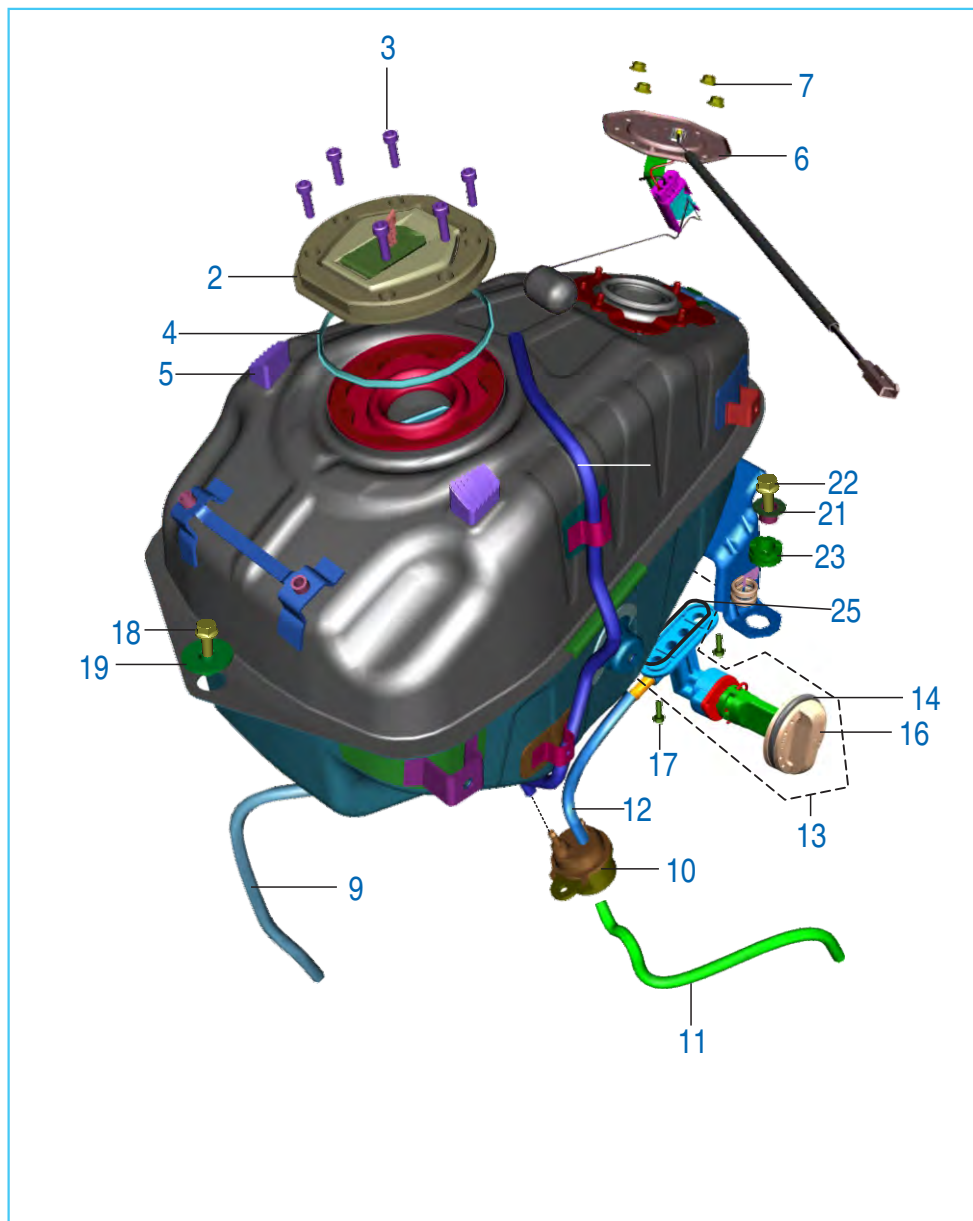
No.	Part No.	Description	Qty.		Remarks
			200 NS	200 AS	
21	JC 1810 22	Cove Trail B	4	-	
22	JL 1510 37	Under Bkt Assy Complete	1	1	
23	DK 1810 25	Spring Washer	2	2	
24	DK 1810 28	Bolt	2	2	
25	DG 1810 08	Bolt - Socket	2	2	
26	JL 1510 36	Steering Top Bolt	1	-	
	JY 1510 11	Steering Top Bolt	-	1	
27	JL 1210 07	Assly Leg LH- K16A-ABS	1	-	BS IV
28	JL 1210 06	Assly Leg RH- K16A-ABS	1	-	BS IV



Radiator Covers

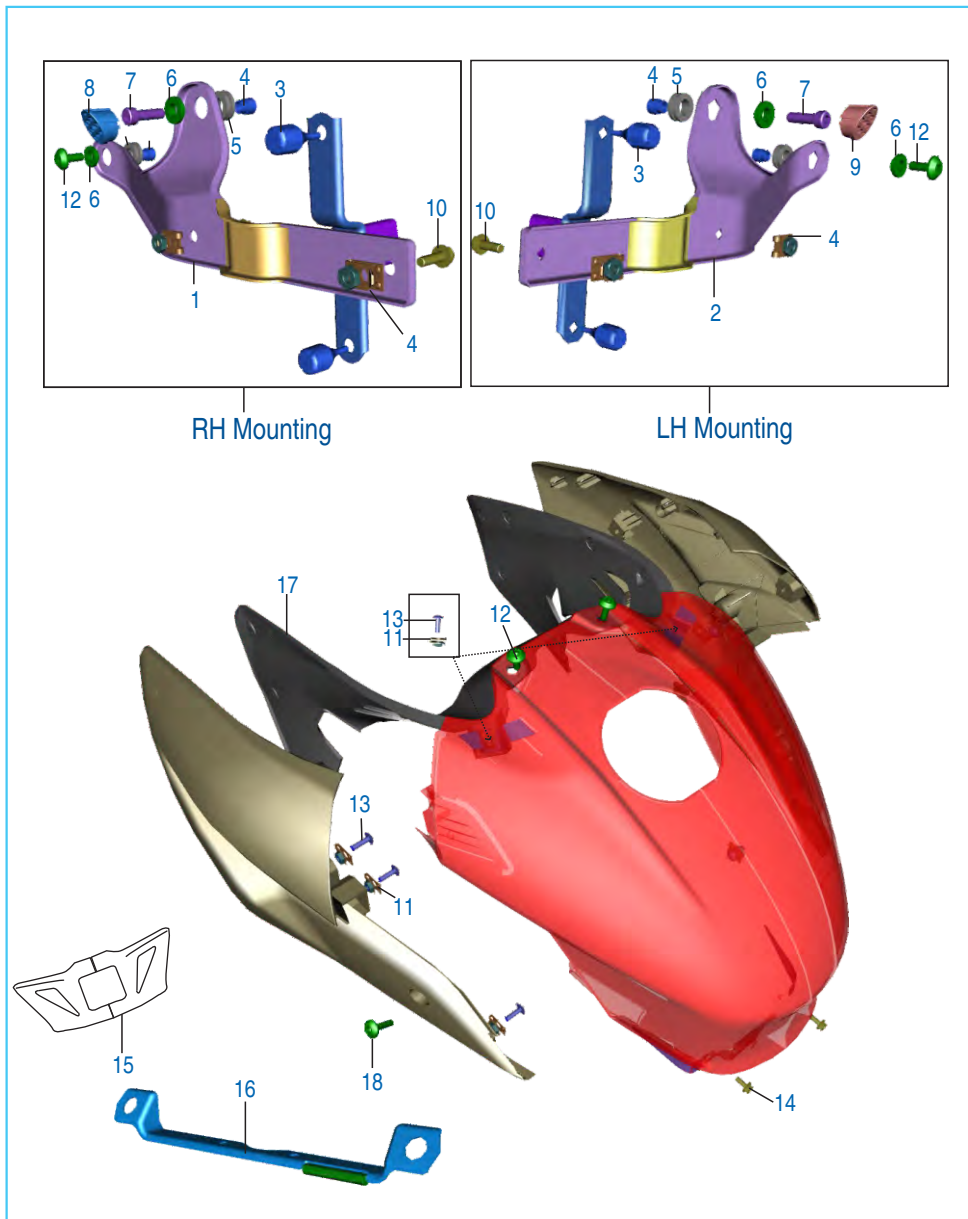
No.	Part No.	Description	Qty.		Remarks
			200 NS	200 AS	
1	JL 1810 19	Shroud Assy RH	1	1	
	JL 1812 29	Shroud Assy RH	1	-	BS IV
2	KB UB05 12	Screw Truss	4	4	
3	JW 1812 36	Clip Nut M5	4	4	
4	KB UA06 12	Screw - Truss	4	4	
5	39 1672 04	Bolt - Flange : M6 X 16	2	2	
6	JL 1812 32	Shroud Mtg Bkt RH	1	1	
7	39 2141 24	Washer (Non Metallic Round Washer)	4	4	
8	JL 1810 17	Shroud Assy LH	1	1	
	JL 1812 26	Shroud Assy LH	1	-	BS IV
9	DJ 1810 65	Clip Nut M5	4	4	
10	JB 1812 23	Beading Speedo Flap	2	2	

Petrol Tank, Cap Tank and Gauge Fuel



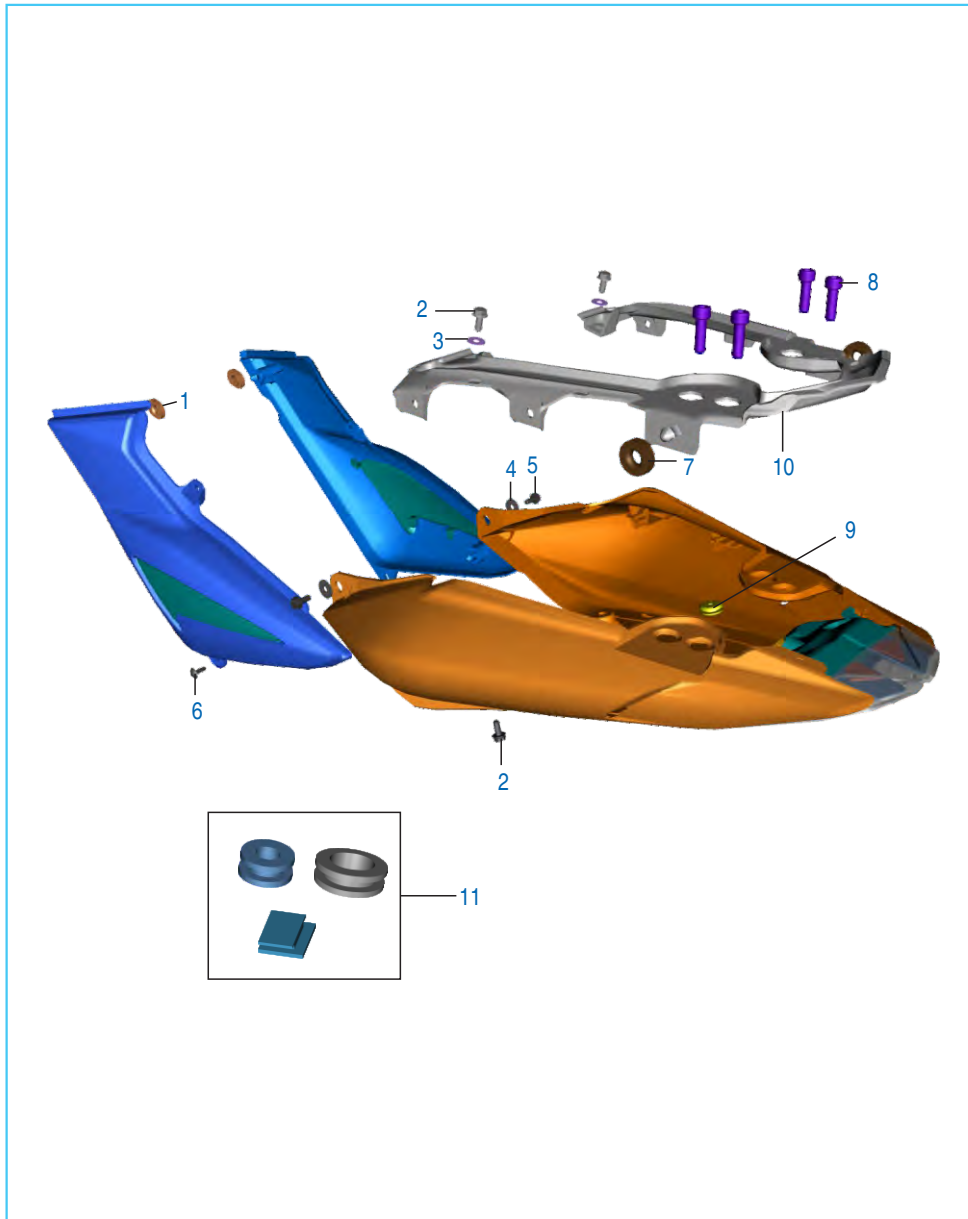
No.	Part No.	Description	Qty.		Remarks
			200 NS	200 AS	
1	52 JL00 47	Tank Assembly	1	-	
	JL 1710 81	Tank Assembly	1	1	from chs. D2A36FZ2DCD99502
	JL 1718 10	Fuel Tank Assly Fuel Cock	1	-	BS IV (Nepal / B'Desh)
2	JL 1716 00	Cap Tank	1	-	
	56 JL04 01	Cap Tank (Moon Light Silver)	1	1	Ref. Cir. IB-82
	JL 1716 04	Cap Tank	1	-	BS IV (Nepal / B'Desh)
3	39 2381 04	Bolt - Hexagon Socket Head Cap:M5	6	-	
	KA Cb05 16	Bolt Master	-	6	
4	JL 1710 49	Damper Ring Tank Cap	1	1	
5	36 JL00 12	Kit Tank Damper	1	1	
6	JL 4026 00	Sensor Fuel Level	1	-	
	JL 4026 02	Sensor Fuel Level	1	1	from chs MD2A36FZ2DCD99502
6A	DK 1410 28	'O' ring for Fuel Sensor	1	1	
7	39 2484 15	Nut - Flange :- M5	4	-	
	KC GA05 05	Nut - Flange	-	4	
8	JL 1710 37	Breather Tube	1	1	
9	JL 1710 63	Pipe - Drain	1	1	
10	JL 1718 02	Filter Inline	1	1	
11	JL 1710 36	Tube Fuel (Carburettor)	1	1	
12	JL 1710 35	Tube Fuel (Tank)	1	1	
13	JL 1718 00	Tap Fuel Assembly	1	1	
14	JL 1710 60	O Ring-For Knob	1	1	
15	JL 1718 03	Pin Snap For Knob	1	1	
16	JL 1718 01	Knob Fuel Tap	1	1	
17	DD 1410 22	Bolt - Flanged	2	2	
18	39 1946 04	Bolt Tank mtg Front	1	1	
19	JL 1710 19	Sleeve Tank Mtg Front	3	3	
20	JL 1710 18	Grommet Tank Mtg Front	1	1	N.I
21	39 1943 04	Bolt	2	-	
22	39 1054 11	Washer Plain	2	-	
23	JL 1710 20	Grommet Tank Mtg Rear	2	2	
	JL 1138 09	Grommet Air Filter Resting	1	-	BS IV
24	JL 1710 85	Spring Fuel Tube	1	1	w.e.f. Mar. 2013
25	JL 1710 96	Sealing Ring Fuel Cock	1	1	
26	JL 1710 73	Damper Tank Cover Resting Cover	1	1	from chs.MD2A36FZ2DCD99502
27	39 0740 11	Washer (Non Metallic)	1	-	BS IV
28	DG 1410 28	Clamp	1	-	BS IV
29	KA DD06 12	Bolt Flanged	1	-	BS IV
30	JL 1710 38	Beading Tank LH	2	-	BS IV
31	BA 1220 03	Pipe Clip	6	-	BS IV

Fittings - Petrol Tank Cover, Side Covers & Cover Seat

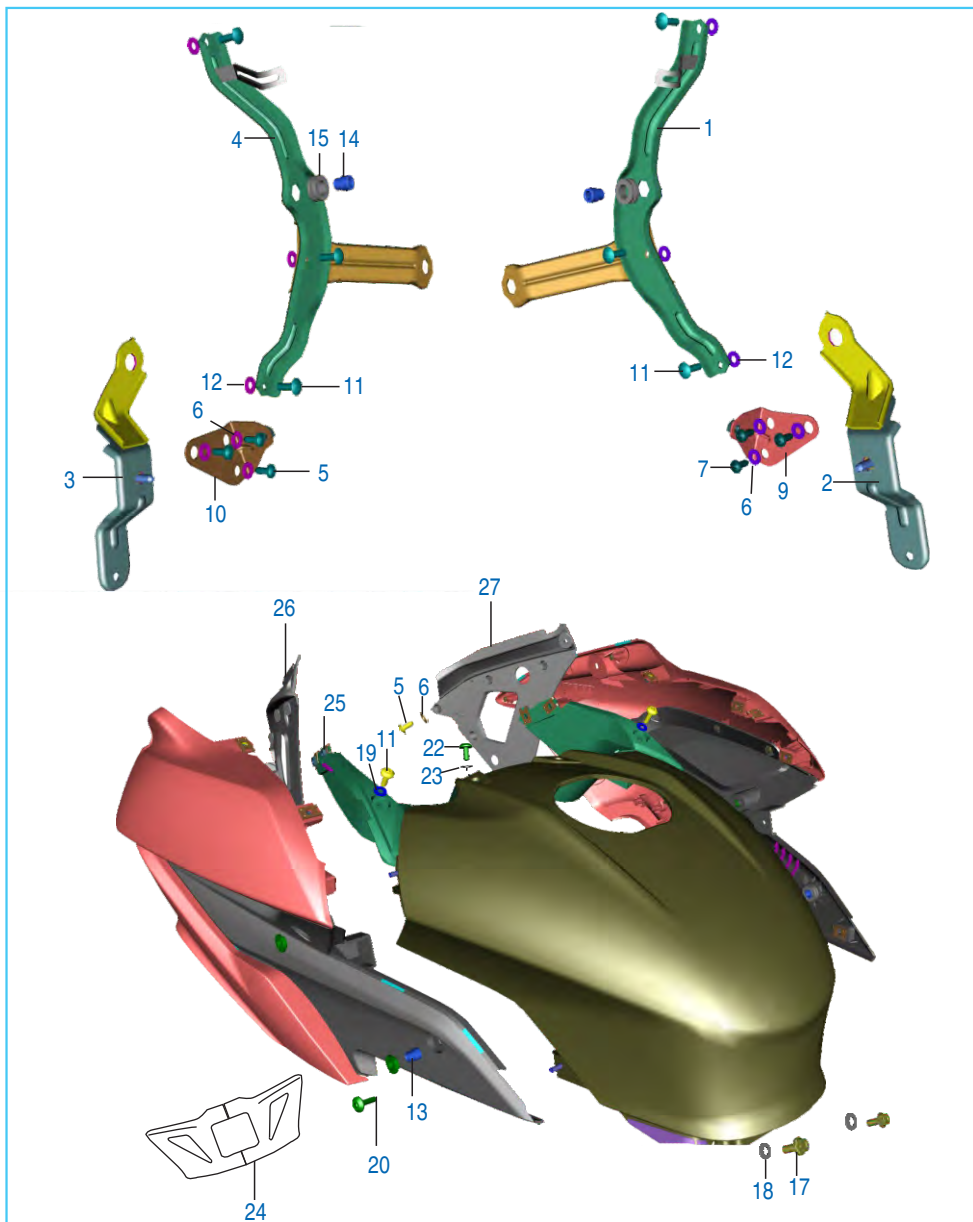


No.	Part No.	Description	Qty.		Remarks
			200 NS	200 AS	
1	JL 1710 99	Bracket Side Cover Mtg RH	1	-	
2	JL 1710 22	Bracket Side Cover Mtg LH	1	-	
3	JL 1710 57	Damper	4	-	
4	JL 1710 71	Tank Cover Mtg Sleeve	8	-	
5	JL 1710 24	Damper Structure Mtg	2	-	
6	JL 1710 70	Rubber Grommet	8	-	
7	LA C000 63	Bolt - Socket :- M6	2	-	
8	JL 1710 62	Cover Mesh Rh	1	-	
9	JL 1710 61	Cover Mesh LH	1	-	
10	KA DB05 16	Bolt Flanged	2	-	
11	DJ 1612 29	Clip Nut M5	16	-	
12	LA C000 22	Bolt Socket-Special Head	4	-	
13	KB UB05 16	Screw Truss	8	-	
14	KA DA05 12	Screw - Truss Cross : M5	2	-	
15	JL 1710 78	Pad Tank Cover	1	-	
16	JL 1111 02	Bracket Side cover Mtg	1	-	
17	JL 1710 48	Tank Cover Central	1	-	
18	LA C000 34	Bolt M6 X 20	2	-	

Fittings - Cover Seat Pulsar 200 NS



No.	Part No.	Description	Qty.		Remarks
			200 NS	200 AS	
1	DS 1410 12	Grommet Side Cover Front	2	-	
2	39 1943 04	Bolt Flanged	4	-	
3	39 0239 11	Washer - Plain	2	-	
4	39 0722 11	Washer	2	-	
5	KA DE06 14	Bolt Flange	2	-	
6	39 1781 01	Screw Round Head	4	-	
7	DH 1611 58	Grommet- Side cover Rear	2	-	
8	LA C000 35	Bolt Socket	4	-	
9	DJ 2011 73	Grommet for cables- RR Fender	2	-	
10	JL 1812 14	Seat Cowl Central Inner	1	-	
11	36 JL00 16	KIT S COWL GROMMET-P200	1	-	



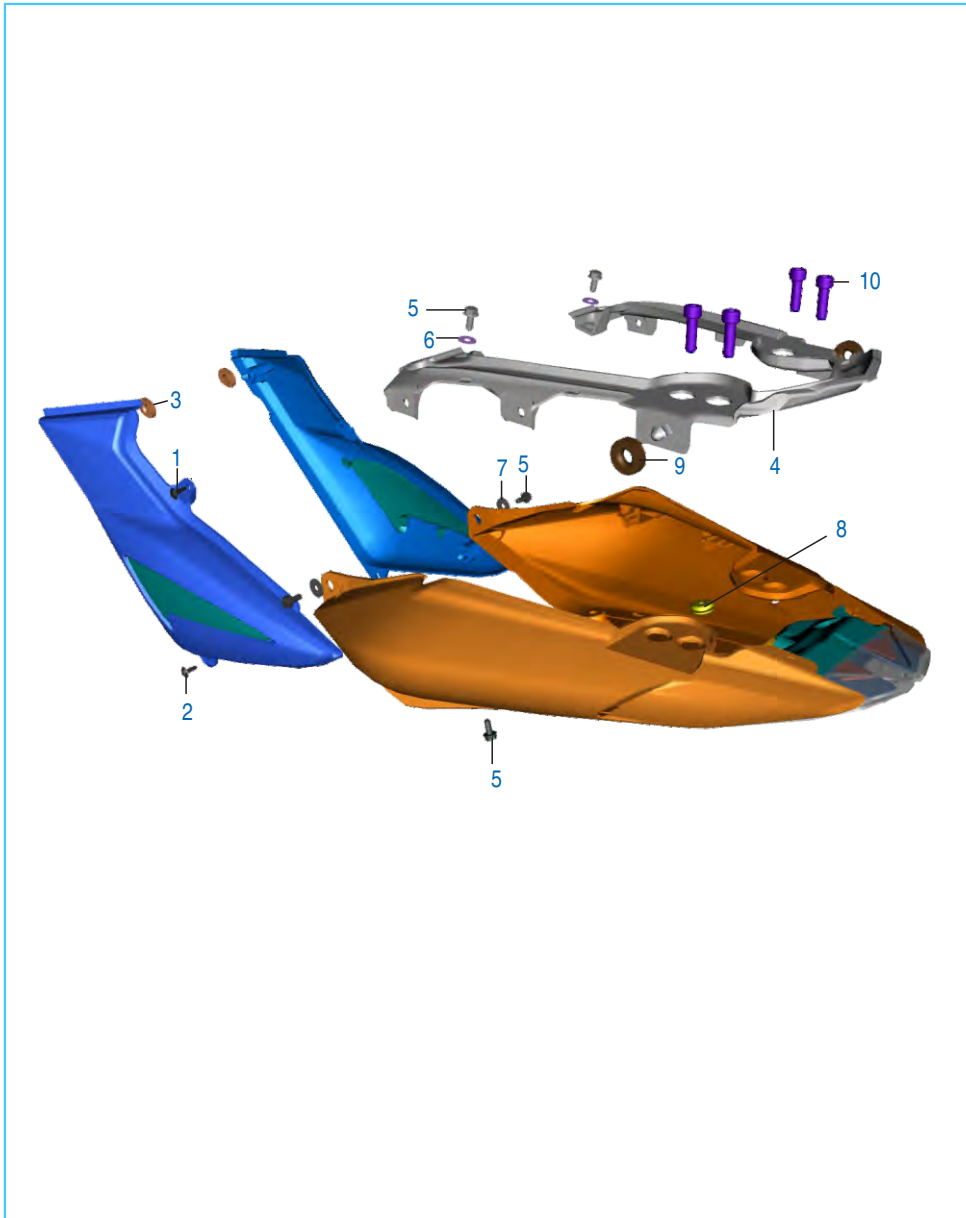
 Front Wheel Direction

Plate No.: 45

Fittings - Fairing & Petrol Tank Cover - Pulsar 200 AS

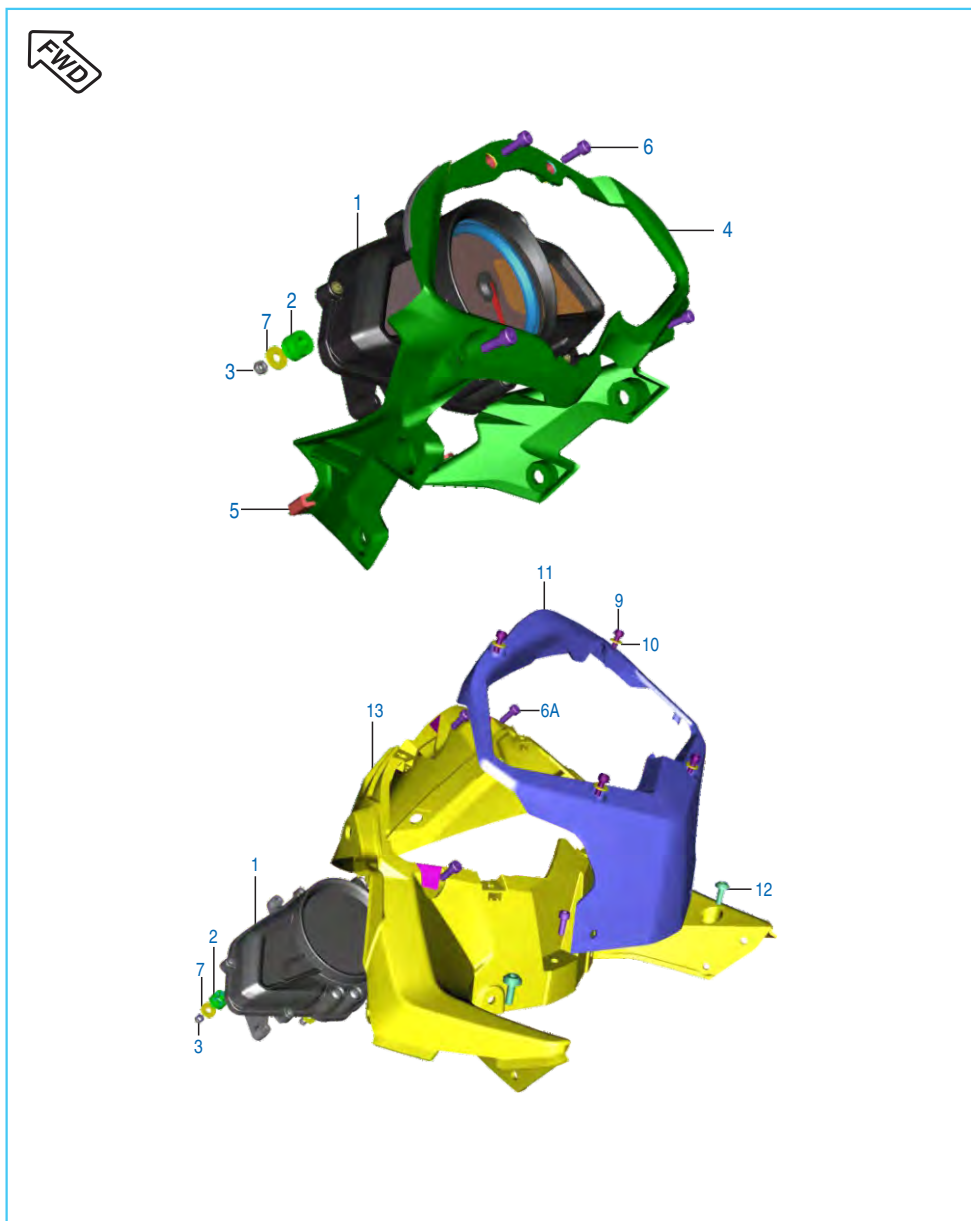
No.	Part No.	Description	Qty.		Remarks
			200 NS	200 AS	
1	JL 1814 49	Bracket Fairing Mounting LH	-	1	
2	JL 1814 47	Bracket Blinker Mounting LH	-	1	
3	JL 1814 48	Bracket Blinker Mounting RH	-	1	
4	JL 1814 50	Bracket Fairing Mounting RH	-	1	
5	39 1778 02	Screw	-	12	
6	KD AA04 08	Washer Plain	-	12	
7	LB R000 02	Screw Self Tapping	-	6	
8	KD BA05 12	Washer Plain	-	6	
9	JL 1814 56	Bracket Side Fairing Mtg LH	-	1	
10	JL 1814 57	Bracket Side Fairing Mtg RH	-	1	
11	LB U000 23	Screw Truss	-	9	
12	KD BA05 12	Washer Plain	-	3	
13	JL 1710 70	Tank Cover Grommet	-	2	
14	JL 1710 71	Tank Cover Mtg Sleeve	-	2	
15	JL 1710 24	Damper	-	4	N.I
16	KA DA06 30	Bolt Flanged	-	2	
17	KA DA05 12	Bolt Flanged	-	4	
18	KD BB05 12	Washer	-	2	
19	LA C000 63	Bolt Socket	-	2	
20	LA C000 34	Bolt M6	-	2	
21	LD B000 23	Washer Plain	-	4	N.I
22	LA C000 22	Bolt Socket Head	-	2	
23	31 1610 78	Washer Nyloc	-	2	
24	JL 1710 78	Pad Tank Cover	-	1	
25	JL 1814 39	Cvr Tank Top Inner	-	1	
26	JL 1814 24	Sub Assly Side Fairing LH	-	1	
27	JL 1814 25	Sub Assly Side Fairing RH	-	1	

Fittings - Side Covers & Cover Seat Pulsar 200 AS



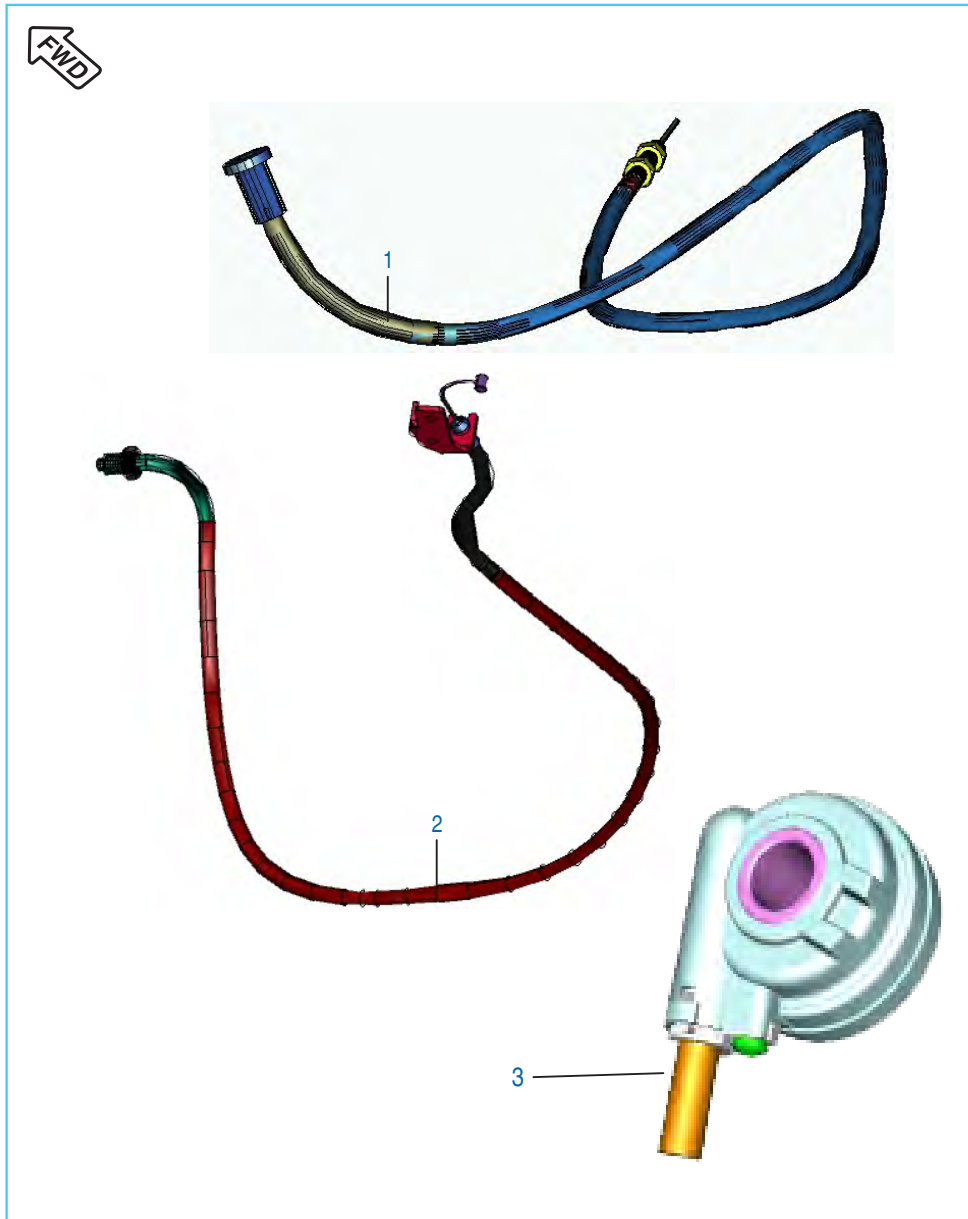
No.	Part No.	Description	Qty.		Remarks
			200 NS	200 AS	
1	JL 1812 88	Step Screw	-	2	
2	KB UA06 12	Screw Truss	-	2	
3	DS 1410 12	Grommet Side Cover	-	4	
4	JL 1812 14	Seal Cowl Inner	-	1	
5	KA Df06 14	Bolt Flanged	-	4	
6	LD B000 23	Washer Plain	-	2	
7	39 0722 11	Washer Plain	-	2	
8	DJ 2011 73	Grommet For Cable RR fender	-	2	
9	DH 1611 58	Grommet Side Cove Rear	-	2	
10	LA C000 35	Bolt Socket	-	4	

Meter Assembly

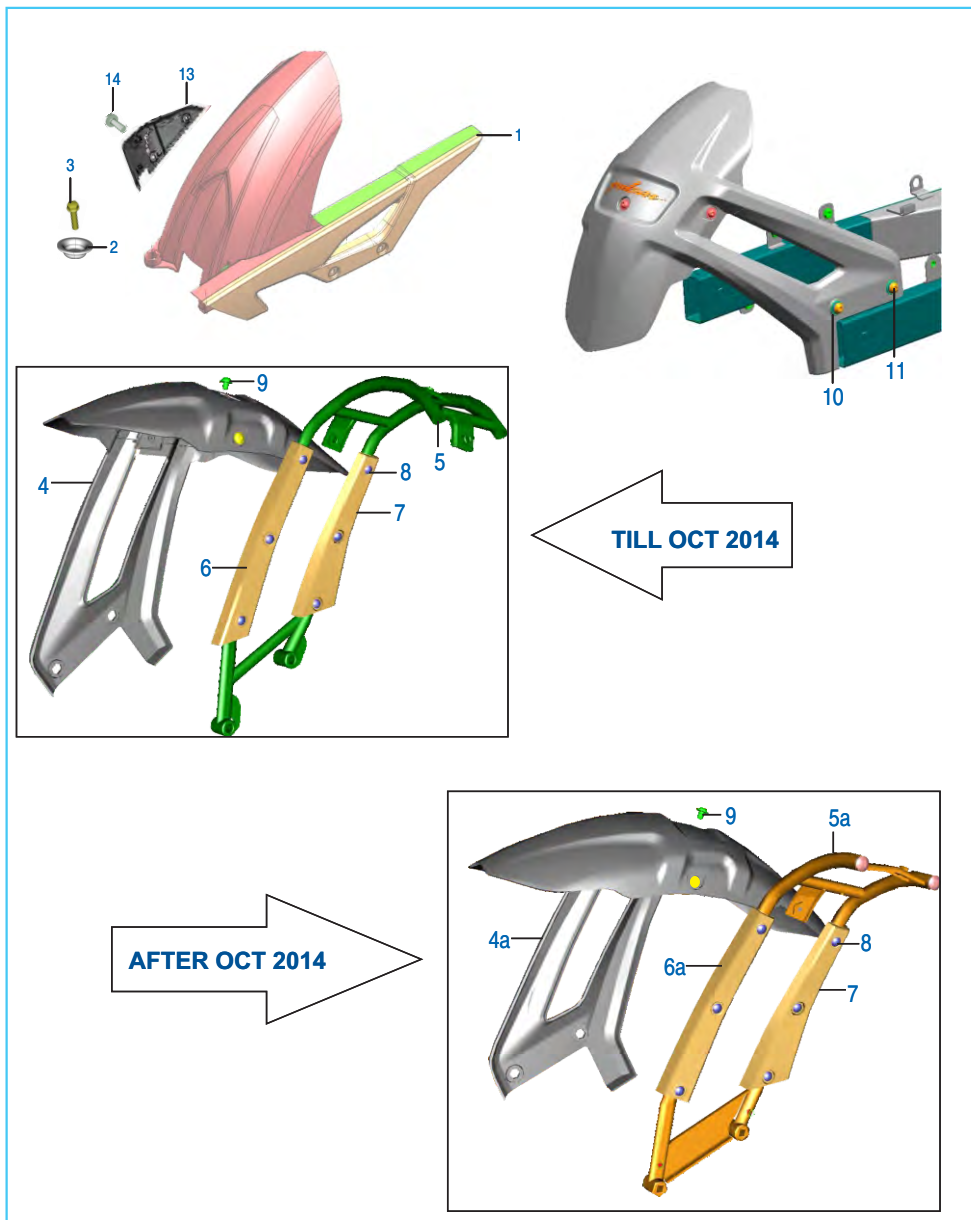


No.	Part No.	Description	Qty.		Remarks
			200 NS	200 AS	
1	JL 4024 00	Speedometer Assembly	1	-	
	JL 4024 05	Speedometer Assembly	1	1	Ref. Cir. IB-74
	JL 4024 12	Speedometer Assembly	1	-	BS IV
2	JG 1812 38	Grommet Dashboard	3	3	
3	39 0291 15	Nut - Hexagon :- M5 X 0.8	3	3	
	KC AA05 04	Nut Hex Thick	3	3	
4	JL 1812 41	Assembly Speedo Flap	1	-	
5	JB 1812 23	Beading Speedo Flap	2	2	
	DK 1612 09	TAPE I	2	-	BS IV
6	KA CH05 14	Bolt-Socket-Kac St-B Dia-05 L-14	4	-	
6a	LA C000 54	Bolt Socket	-	4	
7	LD B000 07	Washer Plain	3	3	
8	JL 4024 03	Speedometer Harness	1	-	N.I. (For JL402400)
9	DT 1810 10	Bolt Socket	-	4	
10	KD AA05 10	Washer Plain	-	4	
11	JL 1814 37	Speedo Flap	-	1	
12	JG 1812 59	Rivet Snap	-	2	
13	JL 1814 27	Speedo Flap	-	1	

Control Cables



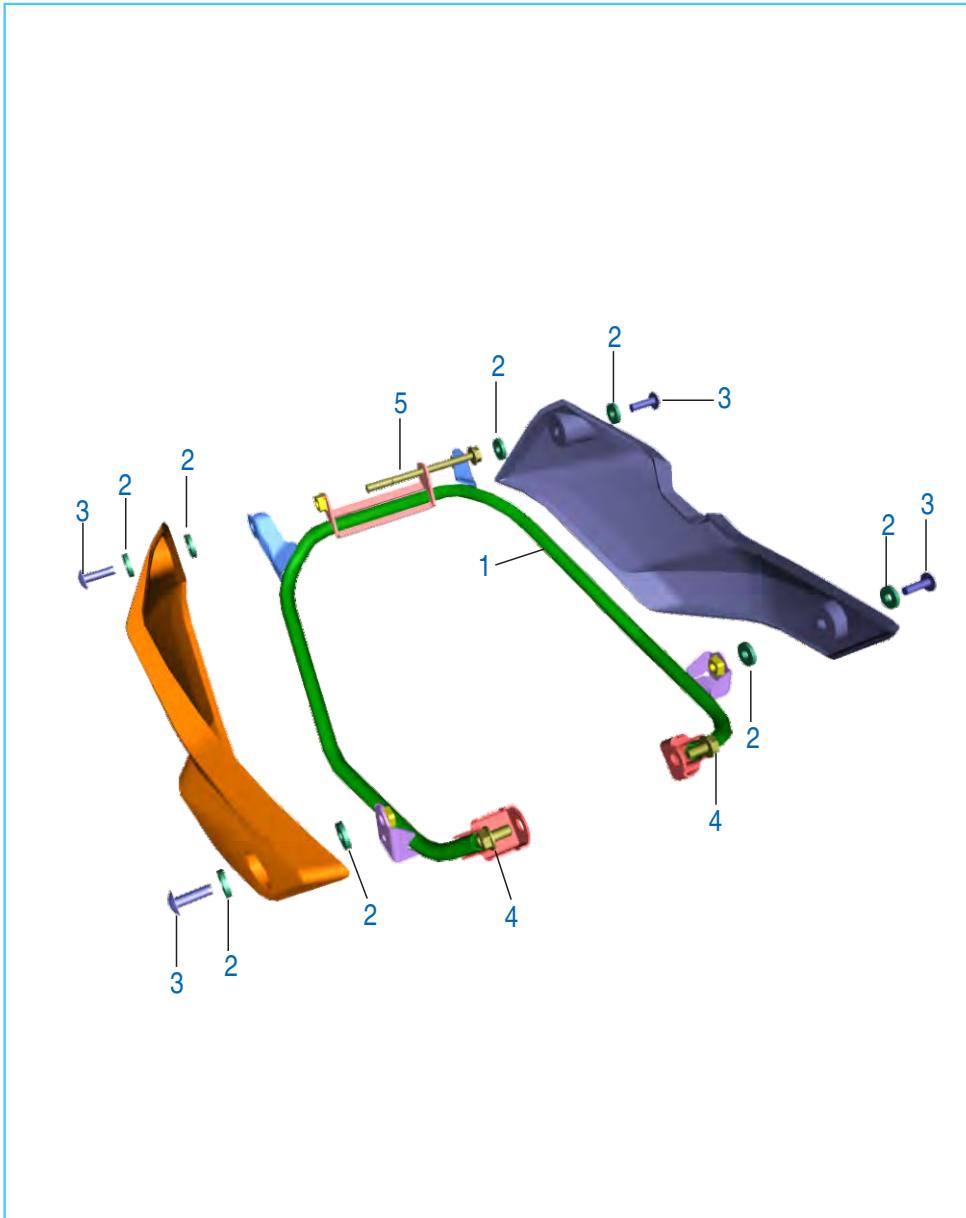
No.	Part No.	Description	Qty.		Remarks
			200 NS	200 AS	
1	JL 1612 01	Cable Throttle	1	-	
	JL 1612 06	Cable Throttle	-	1	
2	JL 1612 00	Cable Clutch	1	1	
3	JC 1510 19	Speed Sensor Assly.	1	1	
4	DK 2010 98	Speedo Sensor	1	1	



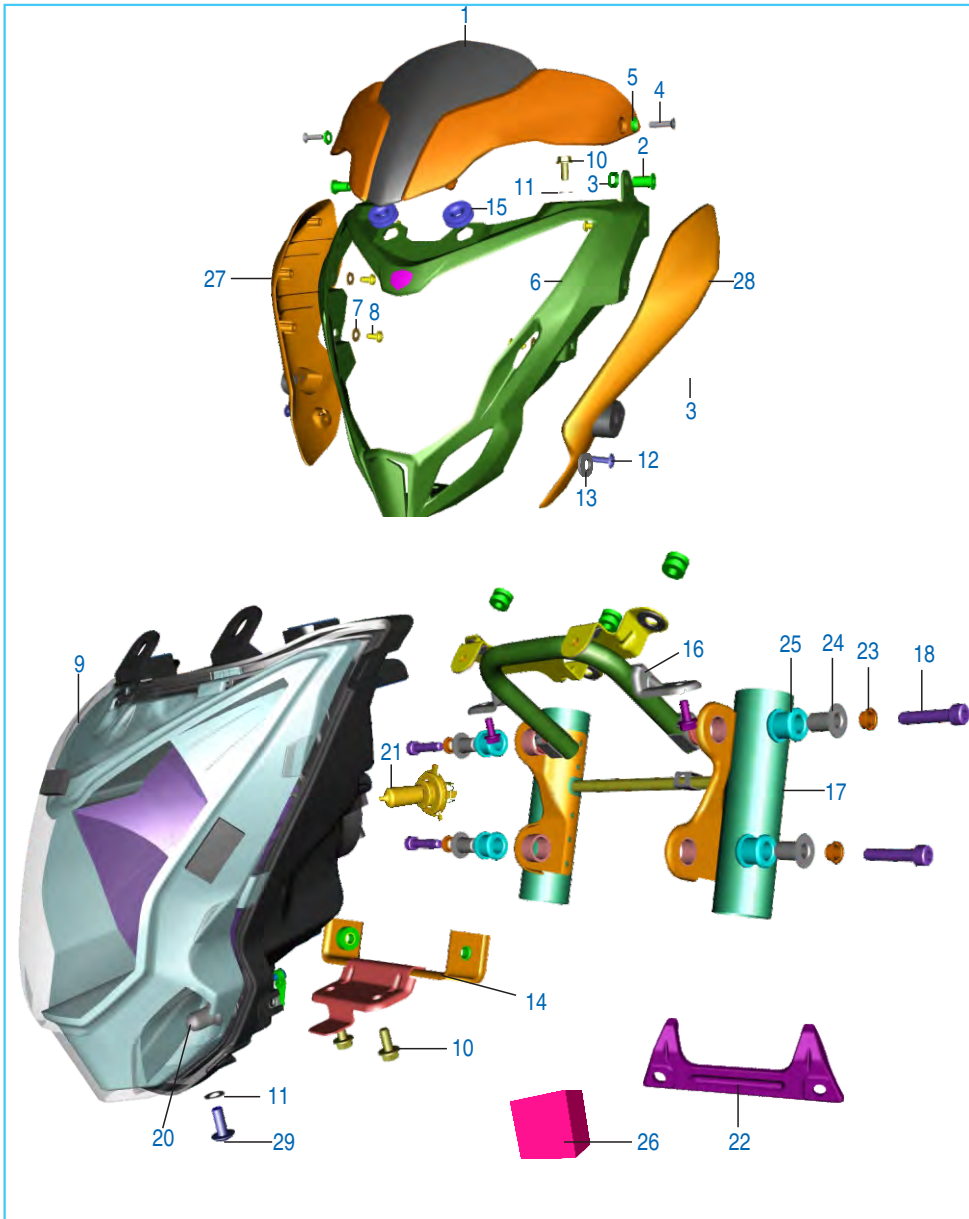
Chain Case and Hugger Assly

No.	Part No.	Description	Qty.		Remarks
			200 NS	200 AS	
1	JL 1812 05	Cover Assly Chain	1	1	
2	JG 1220 28	Extruded Washer	2	2	
3	39 1791 04	Bolt Flanged M6X8	2	2	
4	JL 1814 09	Asly Hugger Rear	1	-	
4a	DT 1814 14	Asly Hugger Rear	1	-	
5	JL 1810 06	Tube Rear Hugger Mtg	1	-	
5a	DT 1810 00	Tube Rear Hugger Mtg	1	-	
6	JL 1814 07	Cover 1- Hugger Rear	1	-	
6a	DT 1814 15	Cover 1- Hugger Rear	1	-	
7	JL 1814 08	Cover 2- Hugger Rear	1	-	
8	KB UB04 10	Screw	6	-	
9	LA C000 37	Bolt Soc-special Head	3	-	
10	39 0265 12	Spring Washer	2	-	
11	LA C000 54	Bolt Special Socket	2	-	
12	JL1814 10	Collar Hugger Rear	2	-	
13	JL 1812 53	Chain Cover RH Side	1	1	
14	LA C000 08	Bolt Socket Head	2	-	
	LA C000 54	Bolt Socket Head	2	2	

Belly Pan Mounting BS IV



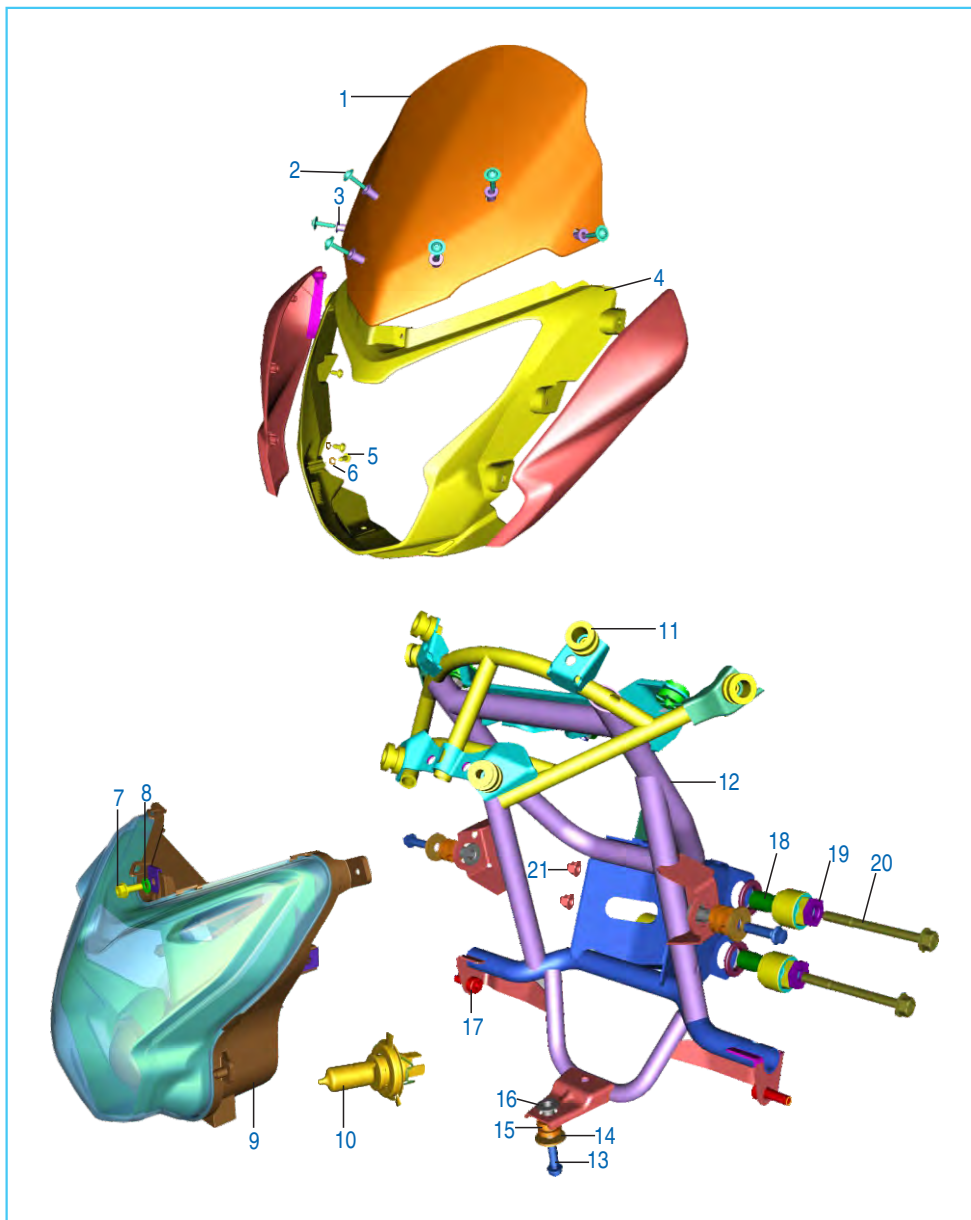
No.	Part No.	Description	Qty.		Remarks
			200 NS	200 AS	
1	JL 1813 07	Bracket Belly Pan	1	-	
2	JY 1812 55	Washer End Cap	8	-	
3	KB UA06 20	Screw Truss	4	-	
4	KA DF06 12	Bolt Flanged	2	-	
5	KA DF06 80	Bolt Flanged	1	-	



Head Lamp & Fairing - Pulsar 200 NS

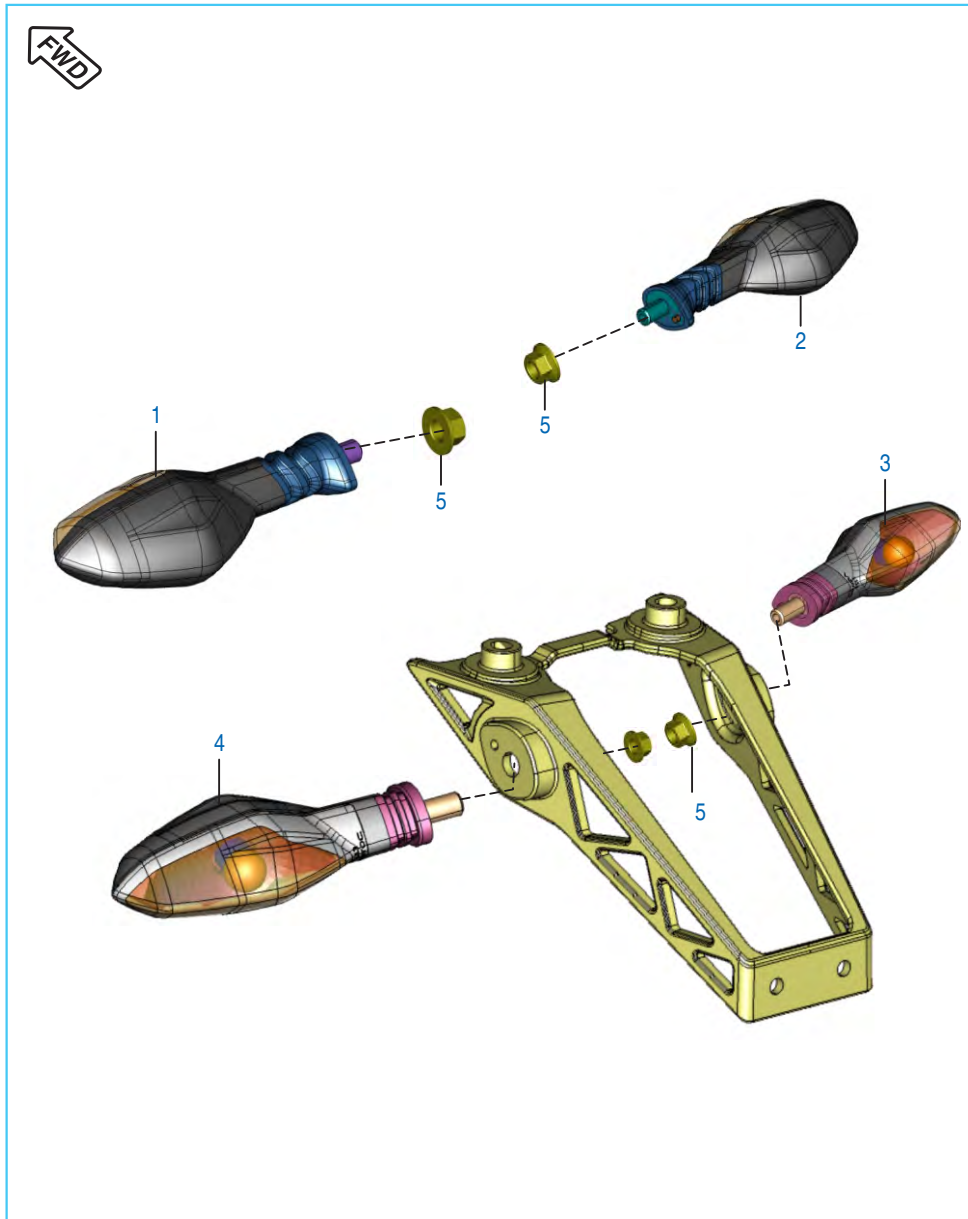
No.	Part No.	Description	Qty.		Remarks
			200 NS	200 AS	
1	JL 1810 08	Windshield Assembly	1	-	
2	JG 1812 36	Well Nut - M5 X 16 L	2	-	
3	JG 1812 35	Washer Special	2	-	
4	LB S000 02	Screw M5X20Lx4.8	2	-	
5	JL 1812 47	Grommet Wind Screen Mounting	2	-	
6	JL 1812 03	Fairing	1	-	
7	KD BA05 12	Washer Plain Small	6	-	
8	LB R000 02	Self Tapping Screw - Dia 5	6	-	
9	JL 4010 12	Head Lamp Assy	1	-	
	JL 4010 18	Head Lamp Assy	-	1	EURO IV
10	KA DE06 14	Bolt - Flanged	2	-	
11	KD AA06 11	Washer - Plain	3	-	
12	KB UA05 16	Screw - Truss - M5 X 16L, 4.8	2	-	
13	39 2141 24	Washer	2	-	
14	JL 1812 36	Bracket Lower Mtg	1	-	
15	JL 1812 49	Damper Head Lamp	1	-	
16	JL 1812 37	Bracket Upper Mtg	1	-	
17	JL 1812 35	Lamp Shade assly.	1	-	
18	KA CH08 35	Bolt Pivot Mass Carrier	4	-	
19	36 JL00 17	Kit Wind Shield Mtg	1	-	
20	DH 1910 37	Bulb Pilot 12V 3W	2	-	
	DK 2010 44	Bulb Pilot	-	2	EURO IV
21	EC 4010 30	Head Lamp Bulb 60/55W (H4)	1	-	
	CL 2010 23	Lamp 12V-35/35W	1	-	E Marked
22	JL 1812 83	Bracket Wind Shield	1	-	
23	JL 1812 57	Collar Fairing	4	-	
24	PA 1812 93	Collar Fairing Mtg.	4	-	
25	PA 1812 92	Grommet Fairing Mtg.	4	-	
26	JL 1812 63	Foam Strip	1	-	
27	JL 1812 34	Side Mask RH	1	-	
28	JL 1812 33	Side Mask LH	1	-	
29	KB UA06 16	Screw Truss	1	-	

Head Lamp & Fairing - Pulsar 200 AS

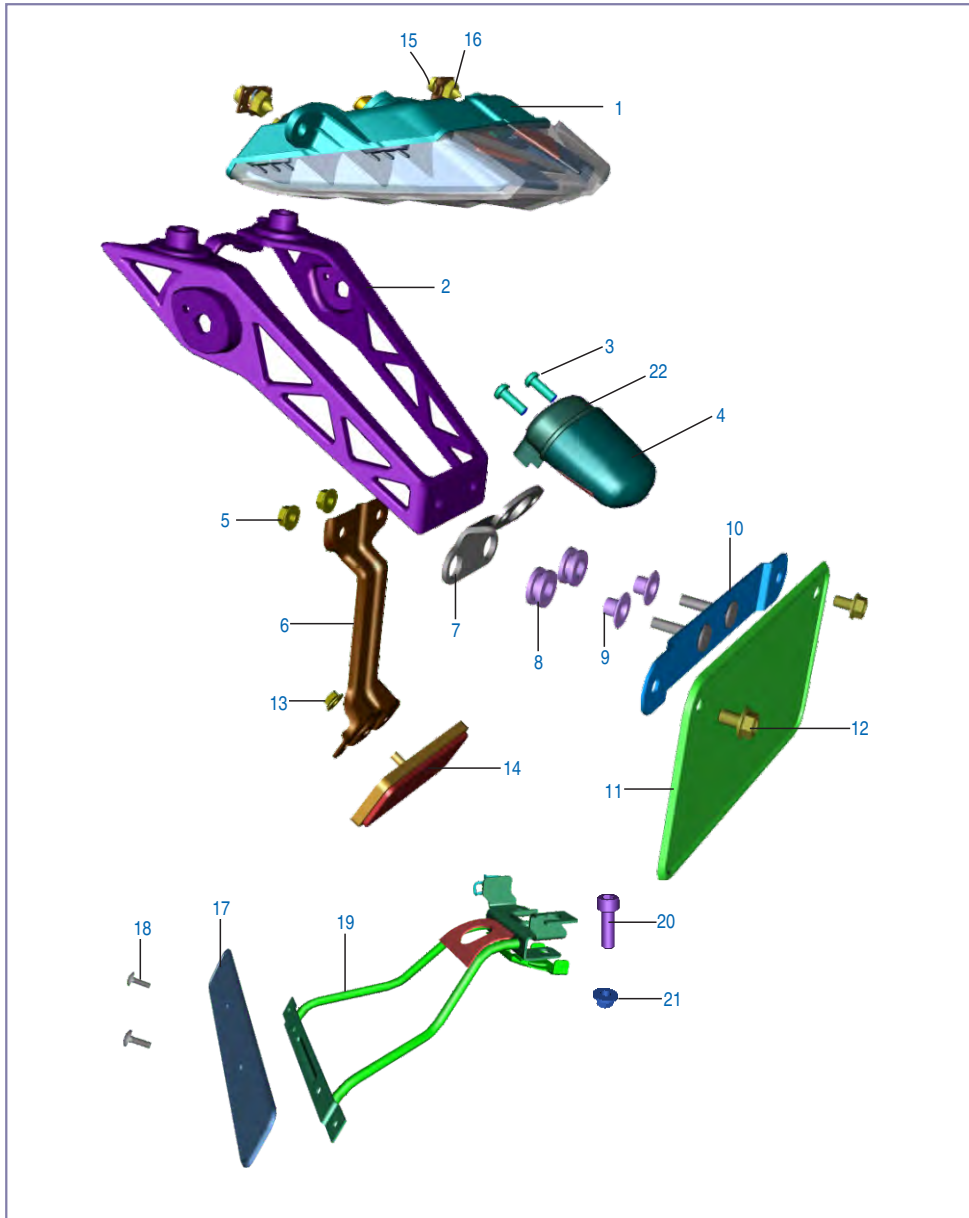


No.	Part No.	Description	Qty.		Remarks
			200 NS	200 AS	
1	JL 1814 26	Wind Shield	-	1	
2	LB U000 30	Screw Truss	-	7	
3	JL 1814 53	Collar Wind Shield	-	7	
4	JL 1814 17	Mask	-	1	
5	LB R000 02	Self Tapping Screw	-	10	
6	KD Ba05 12	Washer Plain	-	10	
7	KA DC06 16	Bolt Flanged	-	1	
8	KD Ba06 13	Washer Plain	-	1	
9	JL 4010 17	Headlamp Assly	-	1	
10	DK 2010 43	Headlamp Bulb 55 W	-	2	
11	JL 1812 45	Grommet	-	6	
12	JL 1814 16	Fairing Structure	-	1	
13	KA EG06 20	Bolt Flange	-	3	
14	39 0211 11	Washer Plain	-	3	
15	DJ 1810 64	Grommet Fairing Mtg	-	3	
16	DJ 1810 29	Collar Fairing Mtg	-	3	
17	JD 1718 01	Socket Head Bolt	-	2	
18	DT 1813 11	Spacer Fairing Structure Mtg	-	4	
19	DT 1813 10	Hex Thrust Washer	-	4	
20	LA D001 20	Bolt Flanged	-	2	
21	39 2535 15	Nut Dome Cap	-	2	

Indicator Light Assembly

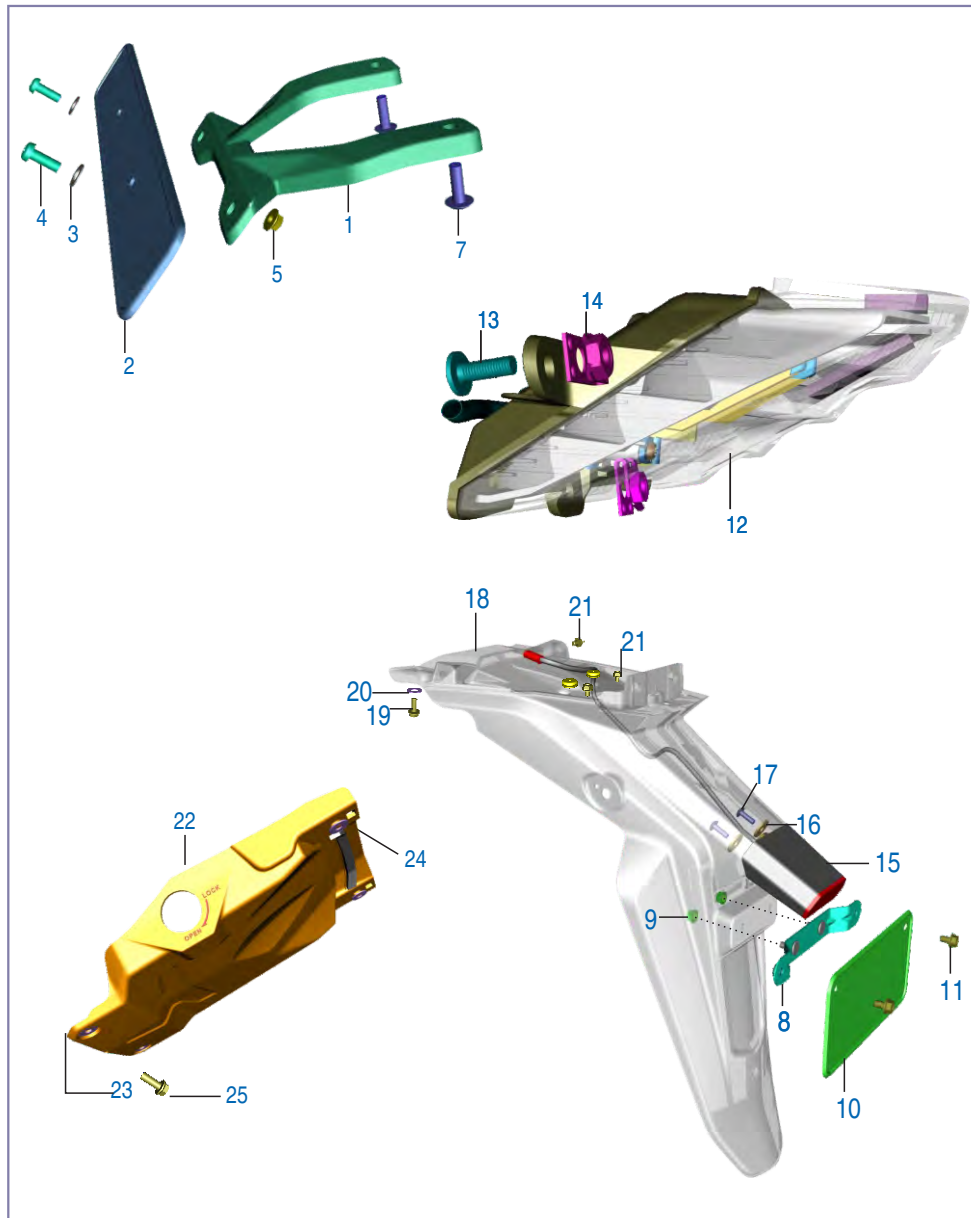


No.	Part No.	Description	Qty.		Remarks
			200 NS	200 AS	
1	JL 4010 05	Indicator Assy FR LH	1	1	
2	JL 4010 06	Indicator Assy FR RH	1	1	
3	JL 4010 04	Indicator Assy RR RH	1	1	
4	JL 4010 03	Indicator Assy RR LH	1	1	
5	39 1225 15	Nut - Hexagon With Flange : M10	4	-	
	KC GA10 10	Nut - Hexagon	-	2	Front Indicator Mtg
	KC GD10 10	Nut - Hexagon	-	2	Rear Indicator Mtg



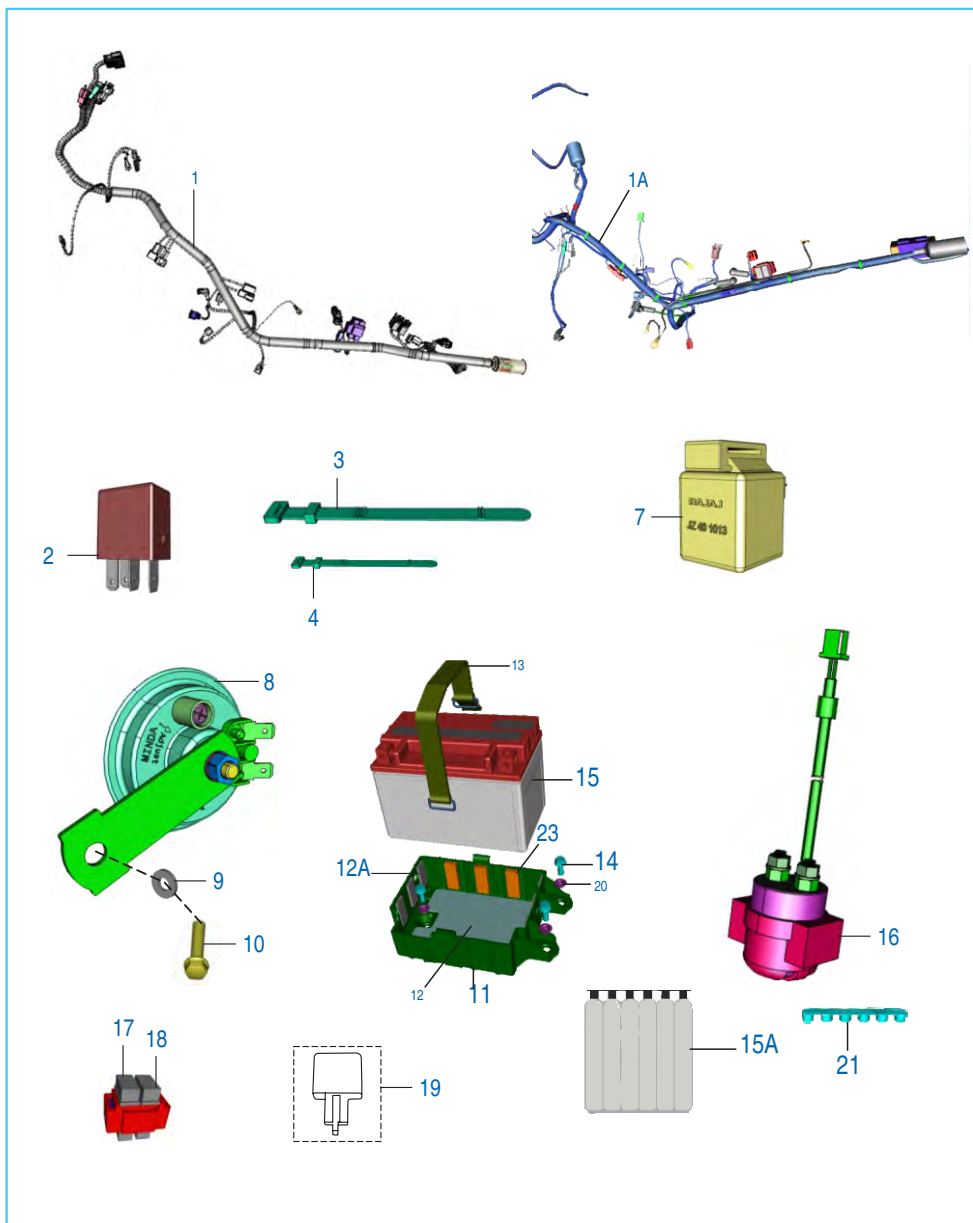
Tail Lamp Assly / Front Number Plate - Pulsar 200 NS

No.	Part No.	Description	Qty.		Remarks
			200 NS	200 AS	
1	JL 4010 02	Lamp Tail Assly	1	-	
2	JL 1138 00	Bracket Rear Blinker Mtg	1	-	
3	KB BA05 14	Screw Pan Cross	2	-	
4	JD 4010 07	Rear Number Plate Lamp	1	-	
5	KC GD06 06	Nut Hex Flanged	2	-	
6	JL 1138 03	Bracket Reflector	1	-	
7	JL 1138 10	Bracket Number Plate Illumination	1	-	
8	JL 1138 10	Grommet Illumination Bracket	2	-	
9	JL 11 3812	Sleeve	2	-	
10	JL 2328 08	Bracket RR Number Plate Mtg.	1	-	
11	DP 1611 45	Number Plate	1	-	
12	KA Dd05 10	Bolt Flanged	2	-	
13	39 2484 15	Nut Hex Flanged	1	-	
14	DD 2010 02	Reflector	1	-	
15	39 1907 01	Screw Truss Cross	3	-	
16	DJ 1612 29	Nut Clip	3	-	
17	JU 2328 00	Front Number Plate	1	-	
18	LB U000 09	Screw Mushroom Head	2	-	
19	JL 2328 05	Bracket Number Plate	1	-	
20	59 0400 48	Bolt - Flanged : M8	1	1	
21	LC A000 08	Nut	2	-	
22	JL 4010 16	Cover Illumination Lamp	1	-	



Tail Lamp Assly / Front Number Plate - Pulsar 200 AS

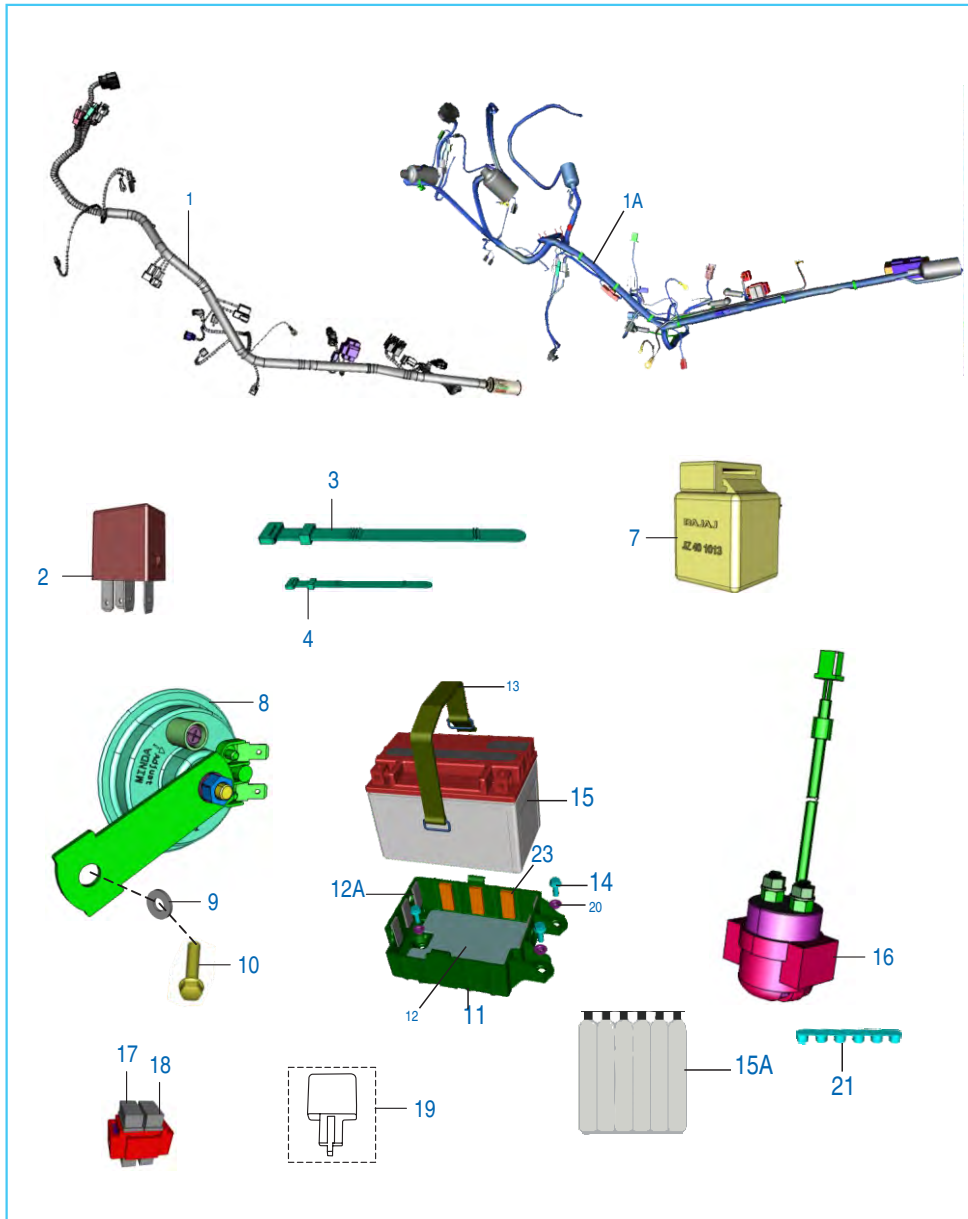
No.	Part No.	Description	Qty.		Remarks
			200 NS	200 AS	
1	JL 2328 10	Bracket No Plate Front	-	1	
2	JU 2328 00	No. Plate Front	-	1	
3	39 2141 24	Washer None Metallic	-	2	
4	KB Ba05 14	Screw Pan Cross	-	2	
5	KC Ga05 05	Nut Hex	-	2	
6	JY 1812 84	Washer Nylon	-	2	
7	KB Uc06 25	Screw Truss	-	1	
8	JL 2328 11	Bracket No. Plate Mtg.	-	1	
9	LC G000 08	Nut Flanged	-	2	
10	DP 1611 45	Nut Flanged Rear	-	1	
11	KA DD06 10	Bolt Flanged	-	2	
12	JL 4010 02	Tail Lamp	-	1	
13	39 1907 01	Screw	-	3	
14	DJ 1612 29	Clip Nut	-	3	
15	JF 4010 16	Lamp Rear Number Plate	-	1	
16	39 0211 11	Washer Plain	-	2	
17	KB Ua05 16	Screw Thrus	-	2	
18	JL 1814 33	Fender Rear	-	1	
19	KA DF06 16	Bolt Flange	-	2	
20	LD B000 23	Washer Plain	-	2	
21	KA DF06 08	Bolt Flange	-	4	
22	JL 1812 09	Fender Rear Front	1	1	
23	39 0239 11	Washer Plain	4	-	
	LD B000 23	Washer Plain	-	4	
24	JL 1812 21	Foam Ream Fender Front	1	1	
25	39 1943 04	Bolt Flanged	2	-	
	KA Df06 14	Bolt Flanged	-	2	



Electrical Equipments

No.	Part No.	Description	Qty.		Remarks
			200 NS	200 AS	
1	JL 4022 03	Harness Wiring	1	-	
	JL 4022 29	Harness Wiring	1	-	Ref. Cir. IB-194
	JL 4022 10	Harness Wiring	1	-	for Argentina
	JL 4022 45	Wiring Harness AHO	1	-	Model BS IV
1A	JL 4022 20	Harness Wiring	-	1	
	JL 4022 28	Harness Wiring	-	1	From 13 Jan 2016
2	JL 4030 00	Relay Inter lock	1	1	
3	30 1910 48	Band	5	5	
4	30 2010 64	Band	3	3	
5	JL 4022 01	Cable Assy Relay To Motor	1	1	N.I.
6	JL 4022 02	Cable Earth	1	1	N.I.
7	JZ 4010 13	Headlamp Control Unit (Ve Model)	1	-	
	DT 4020 06	Light Control Module	-	1	
8	JG 4016 01	Horn	1	-	
	JL 4016 02	Horn	-	1	
9	39 1507 11	Washer - Plain	1	1	
10	39 2205 04	Hex Head Bolt - Flanged M8	1	-	
	39 1956 04	Bolt Flanged	-	1	
11	JL 1812 18	Battery Case	1	1	
12	JL 4018 03	Foam Bottom Battery 6 & 8Ah	1	1	
	JG 4018 08	Foam Bottom Battery	6	6	

Electrical Equipments

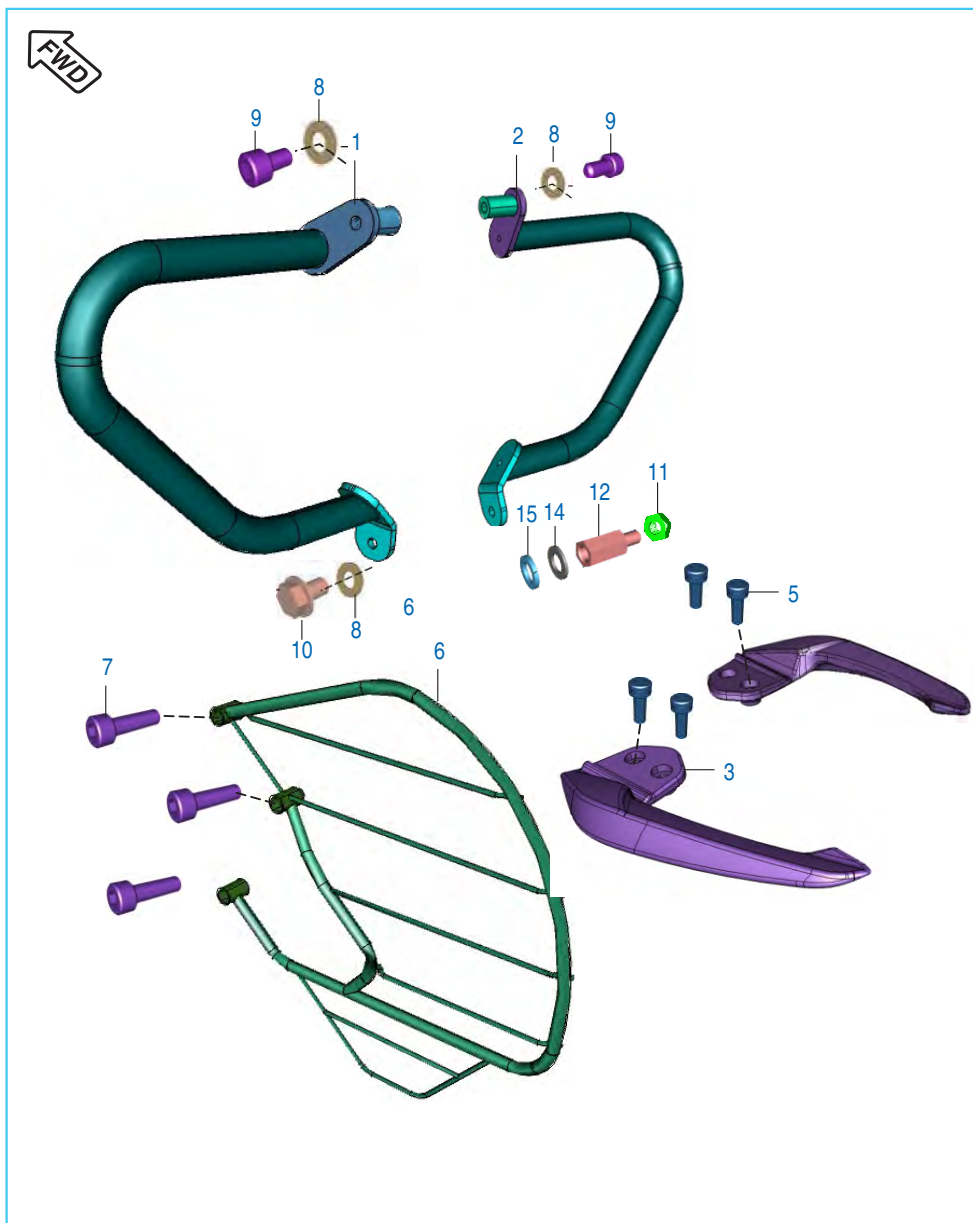


No.	Part No.	Description	Qty.		Remarks
			200 NS	200 AS	
13	JL 4018 01	Battery Band	1	1	
14	39 1944 04	Bolt - Flanged	4	4	
15	JU 4018 03	12V 8Ah Vrla Battery W/o acid Bottle	1	1	
15a	JU 4018 02	Acid Bottle	1	1	
16	JN 3516 04	Starter Relay- With Grommet	1	1	
17	JL 4022 08	Fuse - 20A (Blade Type)	2	2	N.I.
18	AP 2010 25	Fuse 15A (Blade Type)	2	2	N.I.
18A	AK 2010 12	Fuse 10A (Blade Type)	2	2	BS IV
19	DS 2010 25	Flasher - D. C. :- Solid State	1	1	
20	JL 1812 64	Sleeve Battery Box	3	3	
21	JL 4018 05	Battery Lid Cap	1	1	
22	DJ 2010 52	Cable Assly Front Brake	1	-	N.I. BS IV
23	JL 4018 04	Foam Side Battery	3	3	

Tool Kit



No.	Part No.	Description	Qty.		Remarks
			200 NS	200 AS	
1	DJ 2210 19	Tool Kit	1	1	
2	DK 2210 24	Band Tool Kit	2	2	



Accessories / Grab Handle

No.	Part No.	Description	Qty.		Remarks
			200 NS	200 AS	
1	JL 2312 01	Guard Leg LH	1	1	
2	JL 2312 03	Guard Leg Guard Rh	1	1	
2A	LA C000 29	Bolt Socket Head	1	1	
3	JL 2314 04	Grab Handle Assy Lh	1	1	
4	JL 2314 05	Grab Handle Assy Rh	1	1	
5	LA C000 17	Bolt Socket M8 X 1.25	4	4	
6	JL 2312 02	Guard Saree	1	-	
	JL 2312 11	Guard Saree	-	1	
7	KA CB06 22	Bolt Socket L-22	3	2	
7A	39 2038 04	Hex Socket Bolt	-	1	
8	KD BE06 13	Washer	4	4	
9	KA CA06 35	Bolt Socket	2	-	
	LA C000 48	Bolt Socket	-	2	
10	LA D000 40	Bolt Flanged M6-6L	1	-	
	LA C000 48	Bolt Socket	-	1	
11	JU 2312 07	Nut Nylock M8 x 1.25	1	-	
	39 2723 15	Hex Nut	-	1	
12	JU 2312 05	Nut Leg Guard Mounting	1	1	
13	JL 2312 09	Plug Saree Guard	3	3	
14	KD AA10 18	Washer Plain Small	1	-	BS IV
15	LD C000 01	Washer Leg Guard	1	-	BS IV

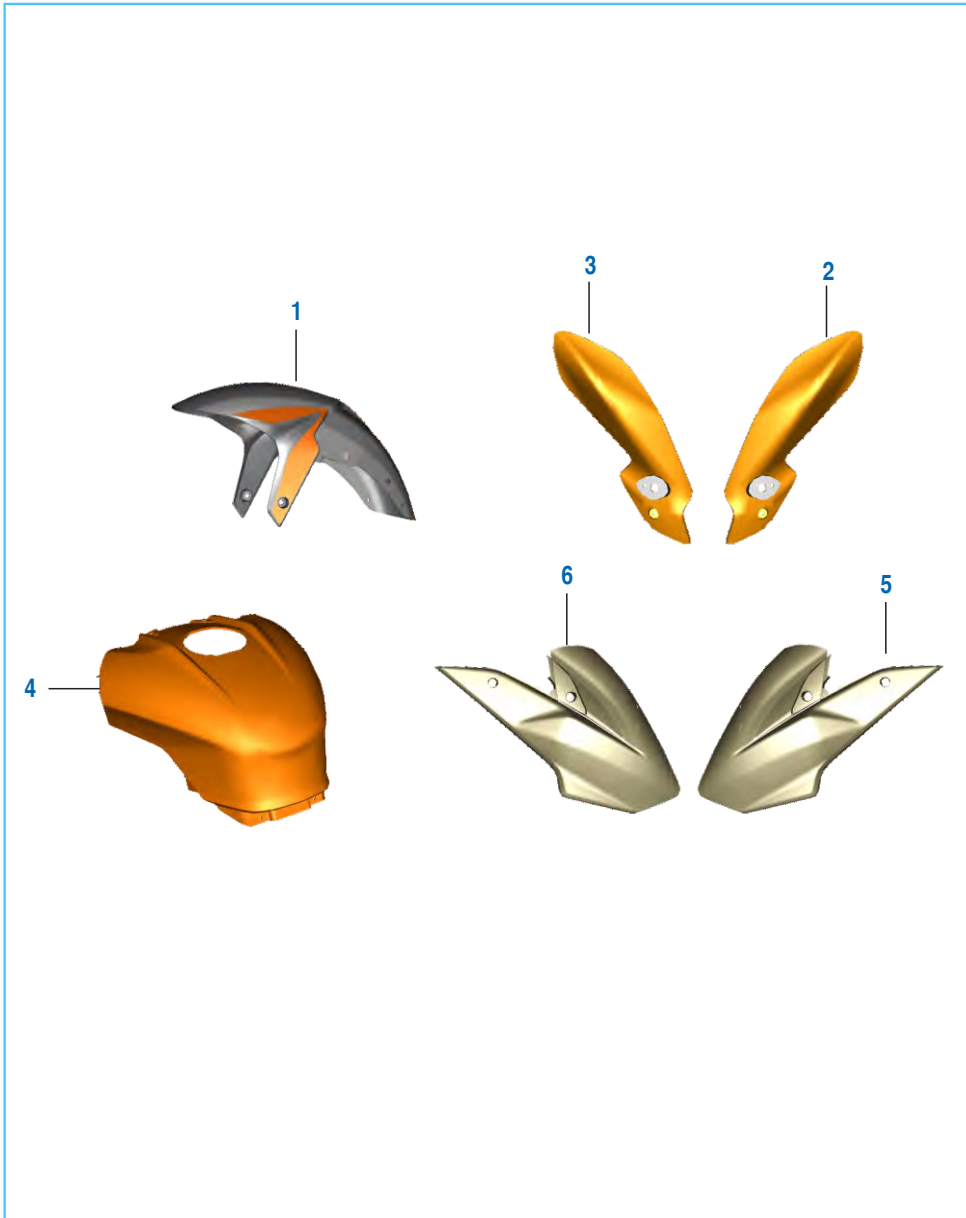
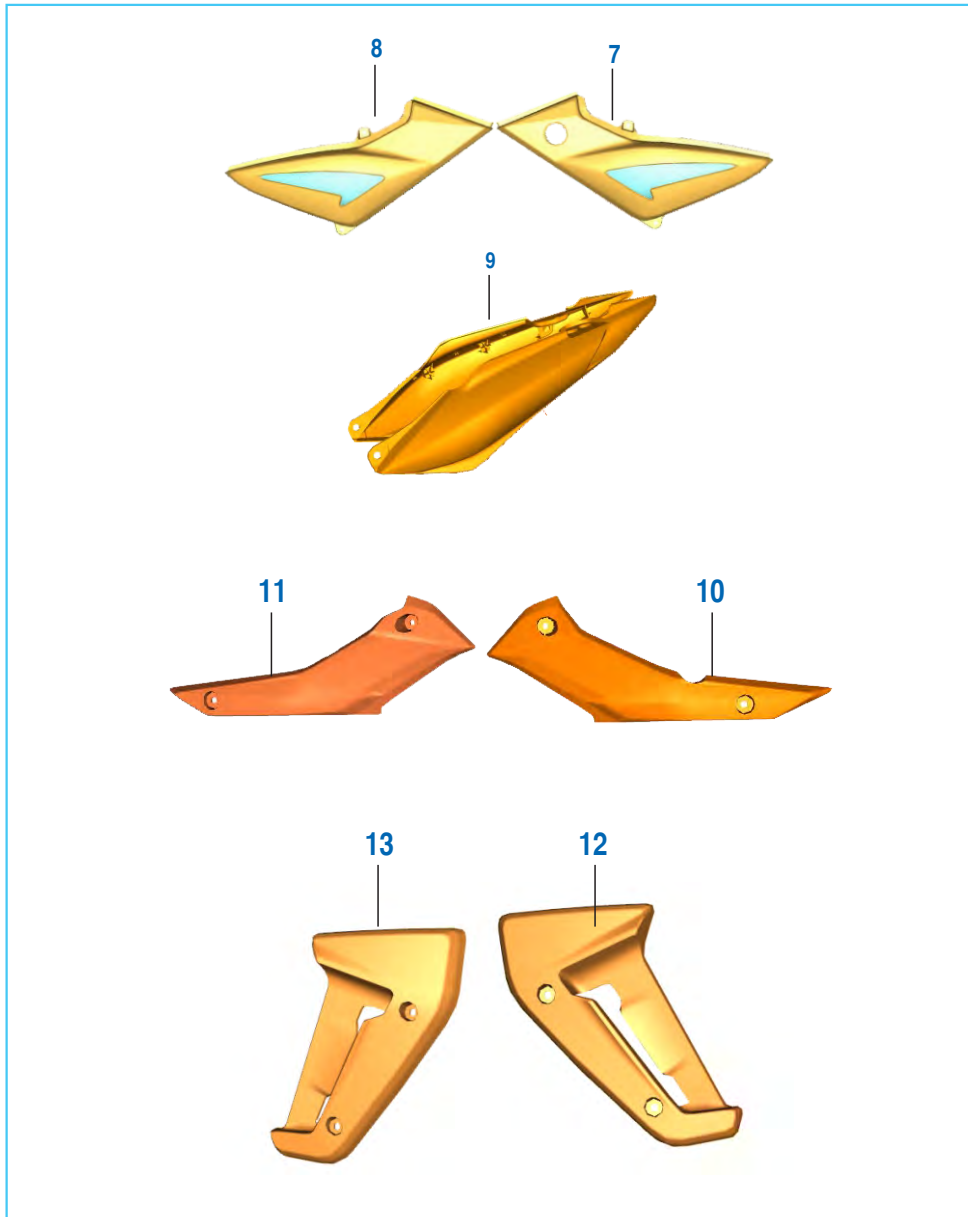


Plate No.:59

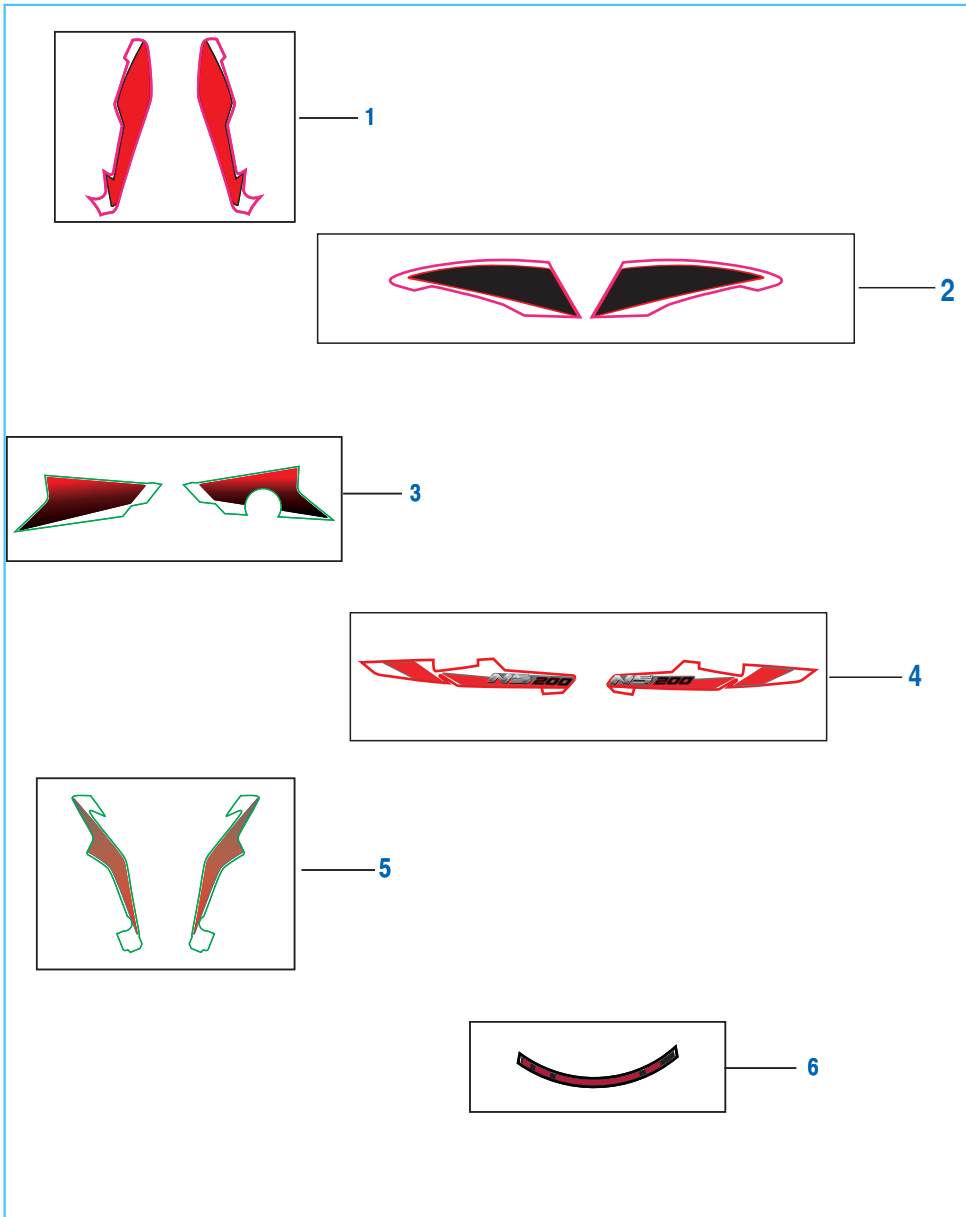
Painted Parts and Decals BS IV

No.	Part No.	Description	Qty.		Remarks
			200 NS	200 AS	
1	52JL1018	Assly Fr. Fender Red Dcal	1	-	
	52JL1020	Assly Fr. Fender + White Dcal	1	-	
	52JL1019	Assly Fr. Fender + Black Dcal	1	-	
	52JL1021	Assly Fr. Fender + Yellow Dcal	1	-	
2	52JL0918	Side Mask LH S BIK + Red	1	-	
	52JL0936	Side Mask LH S BIK + White	1	-	
	52JL0927	Side Mask LH S Blk + Black	1	-	
	52JL0980	Side Mask LH S Blk + Yel	1	-	
3	52JL0919	Side Mask RH S BIK + Red	1	-	
	52JL0937	Side Mask RH S BIK + White	1	-	
	52JL0928	Side Mask RH S BIK + Black	1	-	
	52JL0981	Side Mask RH S BIK + Yel	1	-	
4	52JL0917	Tank Cover Top P Red	1	-	
	52JL0935	Tank Cover Top M White	1	-	
	52JL0926	Tank Cover Top S Black	1	-	
	52JL0979	Tank Cover Top B Yellow	1	-	
5	56JL2045	JL Tank CVR LH P Red	1	-	
	56JL2042	JL Tank CVR LH M White	1	-	
	56JL2046	JL Tank CVR LH S Black	1	-	
	56JL2047	JL Tank CVR LH B Yellow	1	-	
6	56JL2145	JL Tank Cover RH P Red	1	-	
	56JL2142	JL Tank Cover RH M White	1	-	
	56JL2146	JL Tank Cover RH S Black	1	-	
	56JL2147	JL Tank Cover RH B Yellow	1	-	

Painted Parts and Decals BS IV



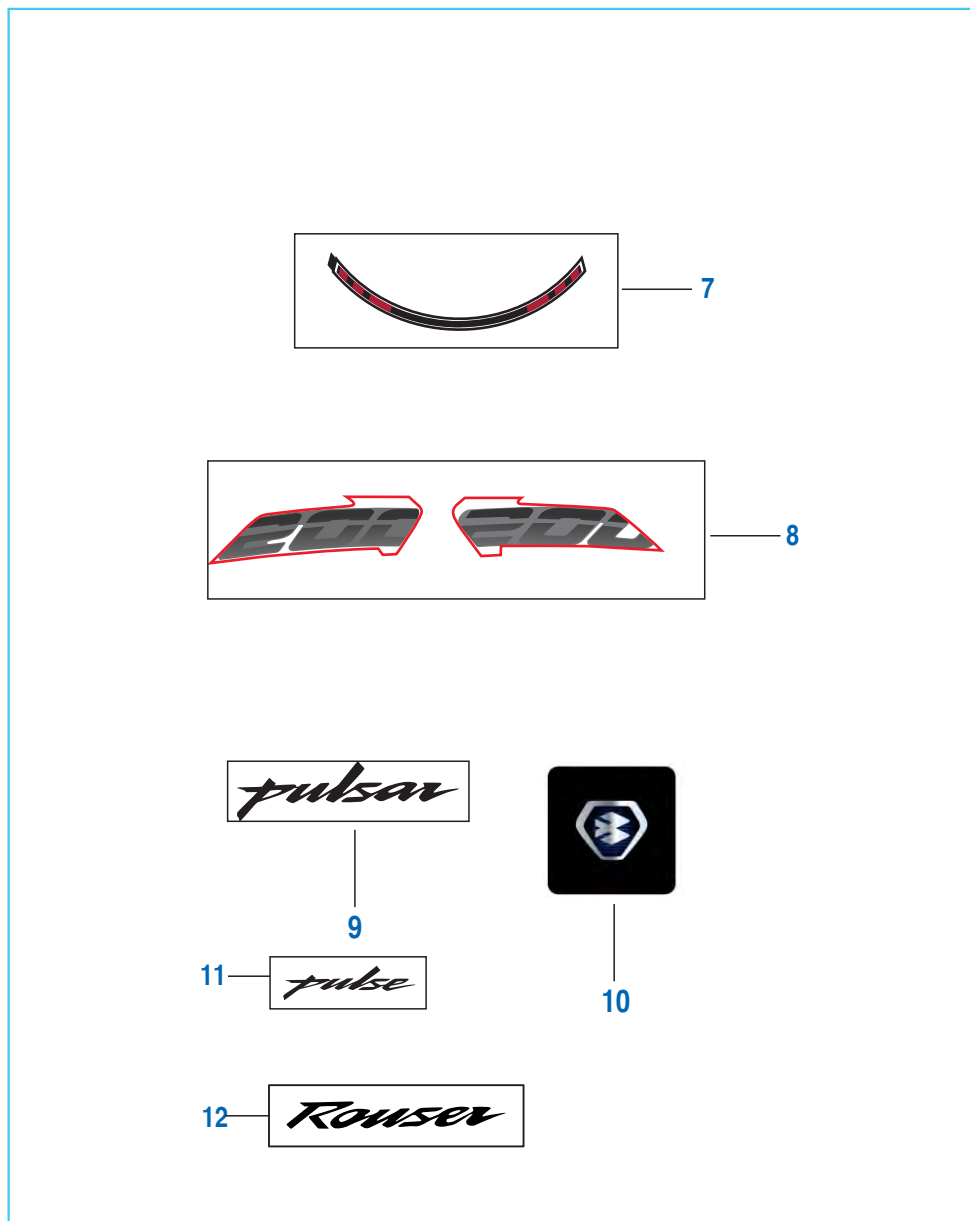
No.	Part No.	Description	Qty.		Remarks
			200 NS	200 AS	
7	52JL0992	CVR Side Assy LH Red Decal	1	-	
	52JL0994	CVR Side Assy LH White Decal	1	-	
	52JL0993	CVR Side Assy LH Black Decal	1	-	
	52JL0995	CVR Side Assy LH Yellow Decal	1	-	
8	52JL0996	CVR Side Assy RH Red Decal	1	-	
	52JL0998	Cover Side Assy RH White Decal	1	-	
	52JL0997	Cover Side Assy RH Black Decal	1	-	
	52JL0999	Cover Side Assy RH Yellow Decal	1	-	
9	52JL0920	Seat Cowl Assly Red Decal	1	-	
	52JL0938	Seat Cowl Assly White Decal	1	-	
	52JLI0929	Seat Cowl Assly Black Deca	1	-	
	52JL0982	Seat Cowl Assly Yellow Decal	1	-	
10	56JL384R	Belly Pan LH Passion Red	1	-	
	56JL385Y	JL Belly Pan LH Metallic White	1	-	
	56JL3831	JL Belly Pan LH Sparkle Black	1	-	
	56JL396T	Belly Pan Rh K4 Ug Bright Yellow	1	-	
11	56JL394R	Belly Pan Rh K4 Ug Passion Red	1	-	
	56JL395Y	JL Belly Pan RH Metaalic White	1	-	
	56JL3931	JL Belly Pan RH Sparkle Black	1	-	
	56JL386T	Belly Pan LH K4 Ug Bright Yellow	1	-	



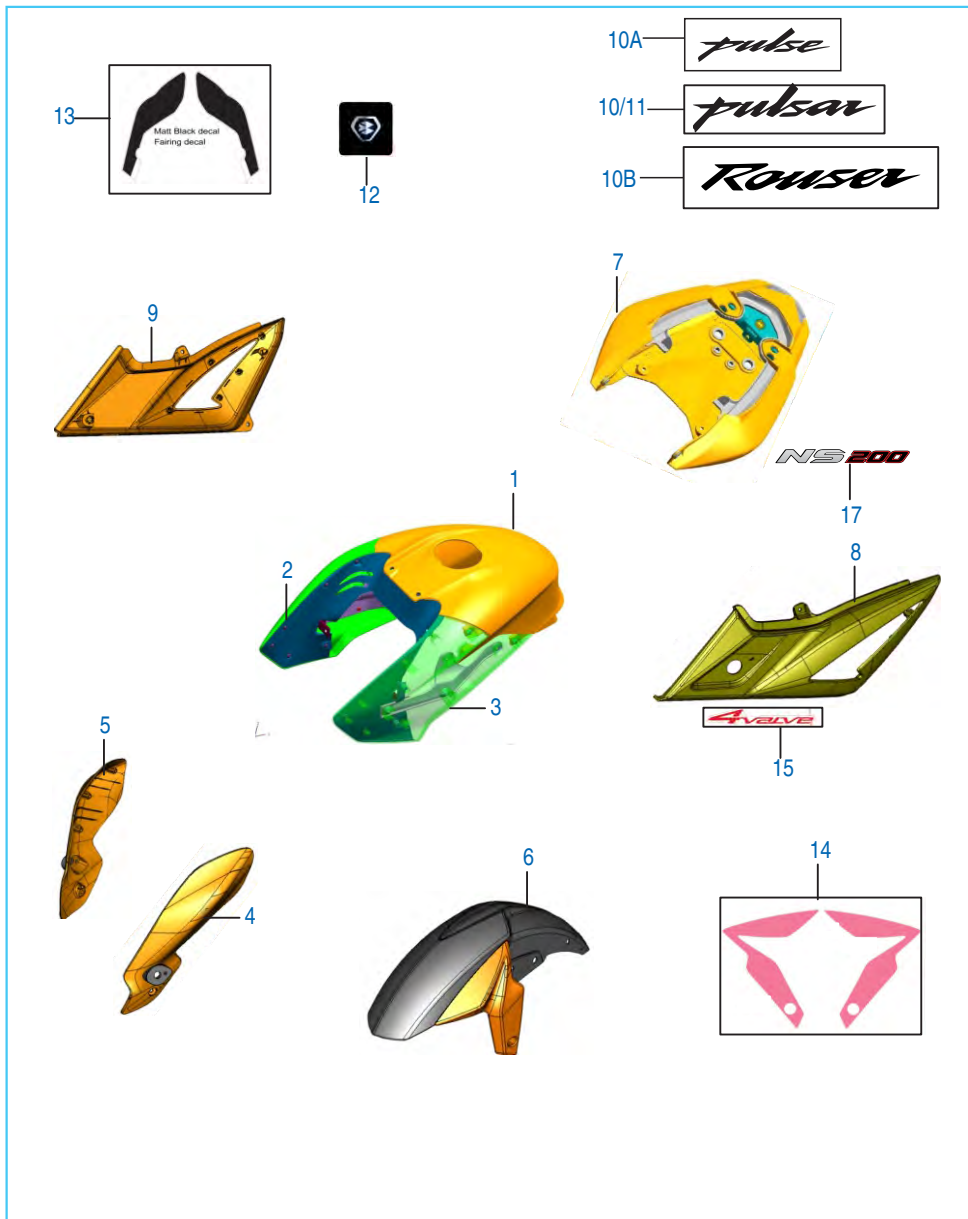
Painted Parts

No.	Part No.	Description	Qty.		Remarks
			200 NS	200 AS	
1	36JL0114	Kit Dcl Fairing Red-black BS IV	1	-	
	36JL0118	Kit Dcl Fairing Wht-blk BS IV	1	-	
	36JL0122	Kit Fairing Dcl Bl-gray	1	-	
	36JL0131	Kit Fairing Dcl Yl-gray BS IV	1	-	
2	36JL0115	Kit Dcl Cvr Tank Red-blk BS IV	1	-	
	36JL0119	Kit Dcl Cvr Tank Wht-blk BS IV	1	-	
	36JL0123	Kit Cover Tank Dcl Bl-gray	1	-	
	36JL0132	Kit Cvr Tank Dcl Yl-gray BS IV	1	-	
3	36JL0108	Kit Dcl Side Cover Red-blk BS IV	1	-	
	36JL0110	Kit Dcl Side Cvr Wht-blk BS IV	1	-	
	36JL0127	Kit Dcl Side Cvr Blk-gry BS IV	1	-	
	36JL0133	Kit Dcl Side Cvr Yl-gry BS IV	1	-	
4	36JL0116	Kit Dcl Seat Cowl Red-blck BS IV	1	-	
	36JL0120	Kit Dcl Seat Cowl Wht-blk BS IV	1	-	
	36JL0124	Kit Dcl Seat Cowl Blk-gry BS IV	1	-	
	36JL0134	Kit Dcl Seat Cowl Yl-gry BS IV	1	-	
5	36JL0117	Kit Dcl Fender Red-black BS IV	1	-	
	36JL0121	Kit Dcl Fender White-black BS IV	1	-	
	36JL0125	Kit Fender Front Dcl Bl-gray	1	-	
	36JL0130	Kit Fender Fr Dcl Yl-gry BS IV	1	-	
6	JL233255	Decal Wheel I Red-grey(front)	1	-	
	JL233269	Decal Wheel I White-gray(front)	1	-	
	JL233298	Decal Wheel I Black-gray(front)	1	-	
	JL233310	Decal Wheel I Yellow-gray	1	-	

Painted Parts

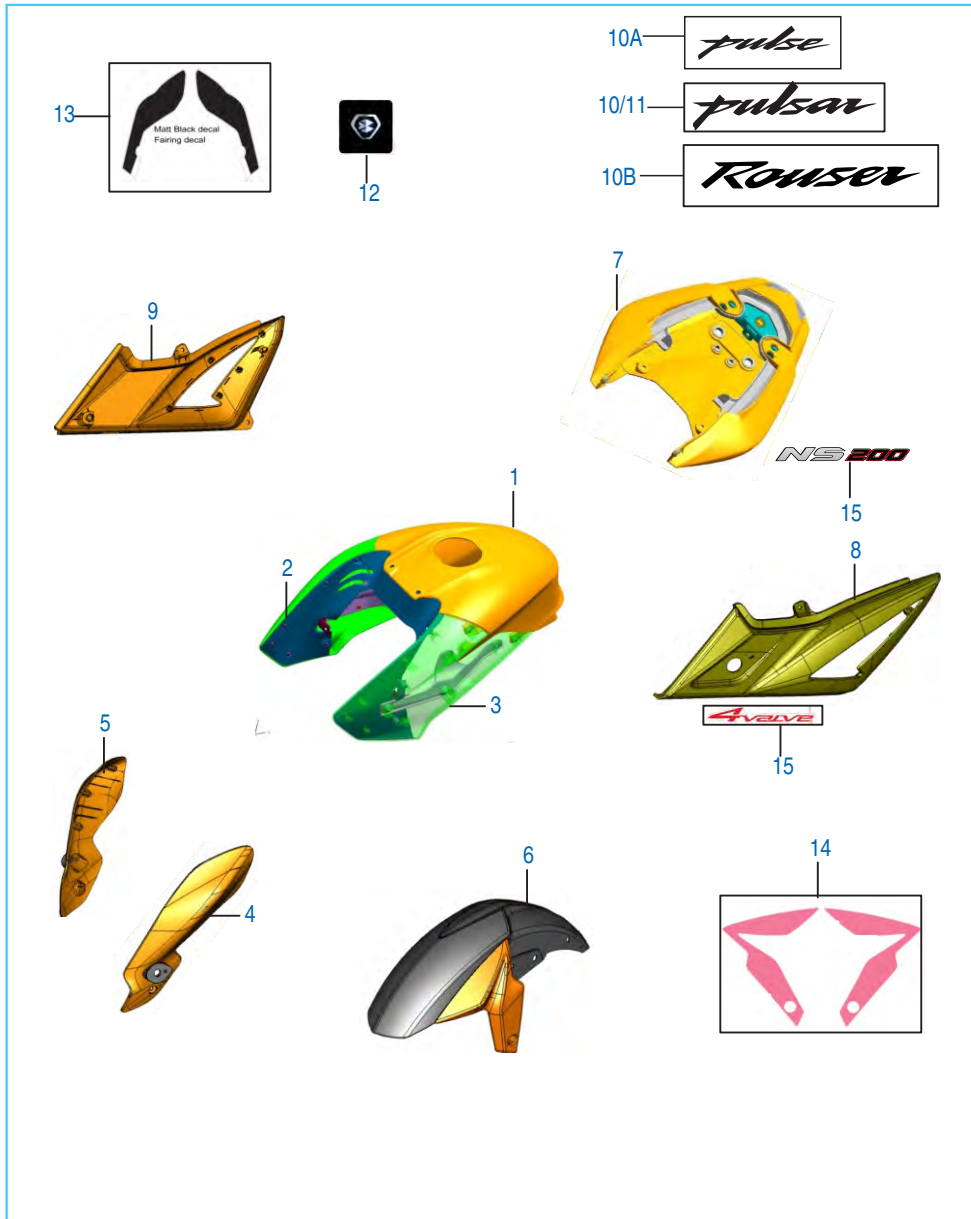


No.	Part No.	Description	Qty.		Remarks
			200 NS	200 AS	
7	JL 2332 56	Decal Wheel II Red-grey(rear)	1	-	
	JL 2332 70	Decal Wheel II White-gray(rear)	1	-	
	JL 2332 99	Decal Wheel II Black-gray(rear)	1	-	
	JL 2333 11	Decal Wheel II Yellow-gray	1	-	
8	36 JI01 35	Kit Tank Cvr Dcl Ns200	1	-	
9	JL 2333 16	Decal Tank 3d Pulsar-grey	2	-	
10	JL 2330 02	B Logo Decal Front	1	-	
11	JL 2333 14	Decal Tank 3d Pulse-grey	2	-	
12	JL 2333 15	Decal Tank 3d Rouser-grey	2	-	



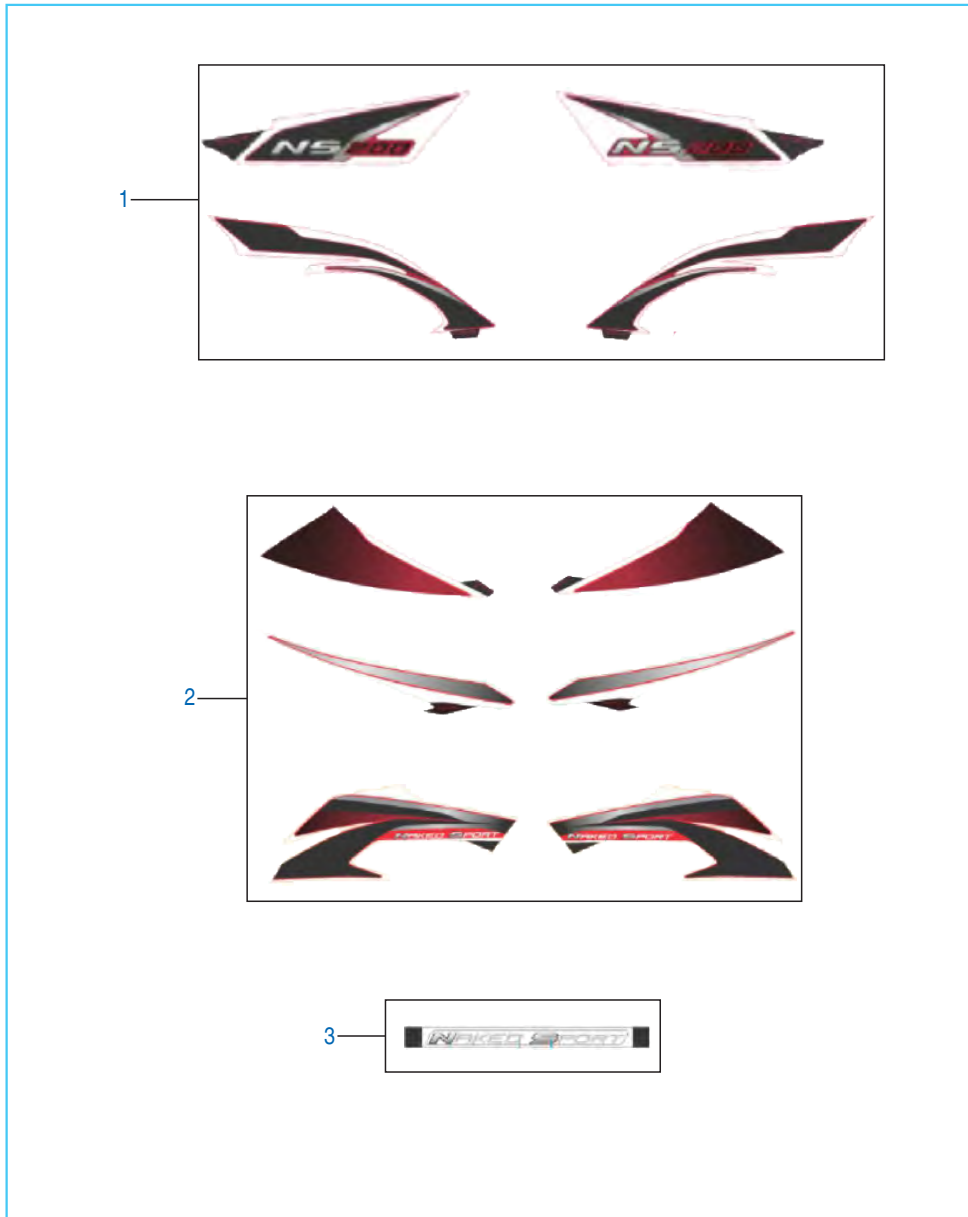
Painted Parts and Decals

No.	Part No.	Description	Qty.		Remarks
			200 NS	200 AS	
1	56 JL22 X3	Tank Cover Top	1	-	common for all For Iran
	56 JL22 5Y	Tank Cover Top - Metallic White	1	-	
2	52 JL02 18	Tank Cover Side LH - Saffire Blue	1	-	
	56 JL20 X3	Tank Cover Side LH - Black	1	-	
	52 JL02 20	Tank Cover Side LH - White	1	-	
	52 JL02 16	Tank Cover Side LH - Red	1	-	
	52 JL02 19	Tank Cover Side RH - Saffire Blue	1	-	
3	56 JL21 X3	Tank Cover Side RH - Black	1	-	
	52 JL02 21	Tank Cover Side RH - White	1	-	
	52 JL02 17	Tank Cover Side RH - Red	1	-	
	52 JL01 96	Side Mask RH - Saffire Blue	1	-	
	52 JL01 92	Side Mask RH - Black	1	-	
4	52 JL01 98	Side Mask RH - White	1	-	
	52 JL01 94	Side Mask RH - Red	1	-	
	52 JL01 95	Side Mask LH - Saffire Blue	1	-	
	52 JL01 91	Side Mask LH - Black	1	-	
	52 JL01 97	Side Mask LH - White	1	-	
5	52 JL01 93	Side Mask LH - Red	1	-	
	52 JL01 89	Front Fender Blue	1	-	
	JL 7501 X3	Front Fender Black	1	-	
6	52 JL01 90	Front Fender White	1	-	
	52 JL01 88	Front Fender Red	1	-	
	56 JL10 5N	Seat Cowl Assy - Blue	1	-	
7	56 JL10 X3	Seat Cowl Assy - Black	1	-	
	56 JL10 5Y	Seat Cowl Assy - White	1	-	
	56 JL10 4R	Seat Cowl Assy - Red	1	-	
	52 JL00 54	Cover Side LH Assly	1	-	
8	52 JL00 55	Cover Side RH Assly	1	-	



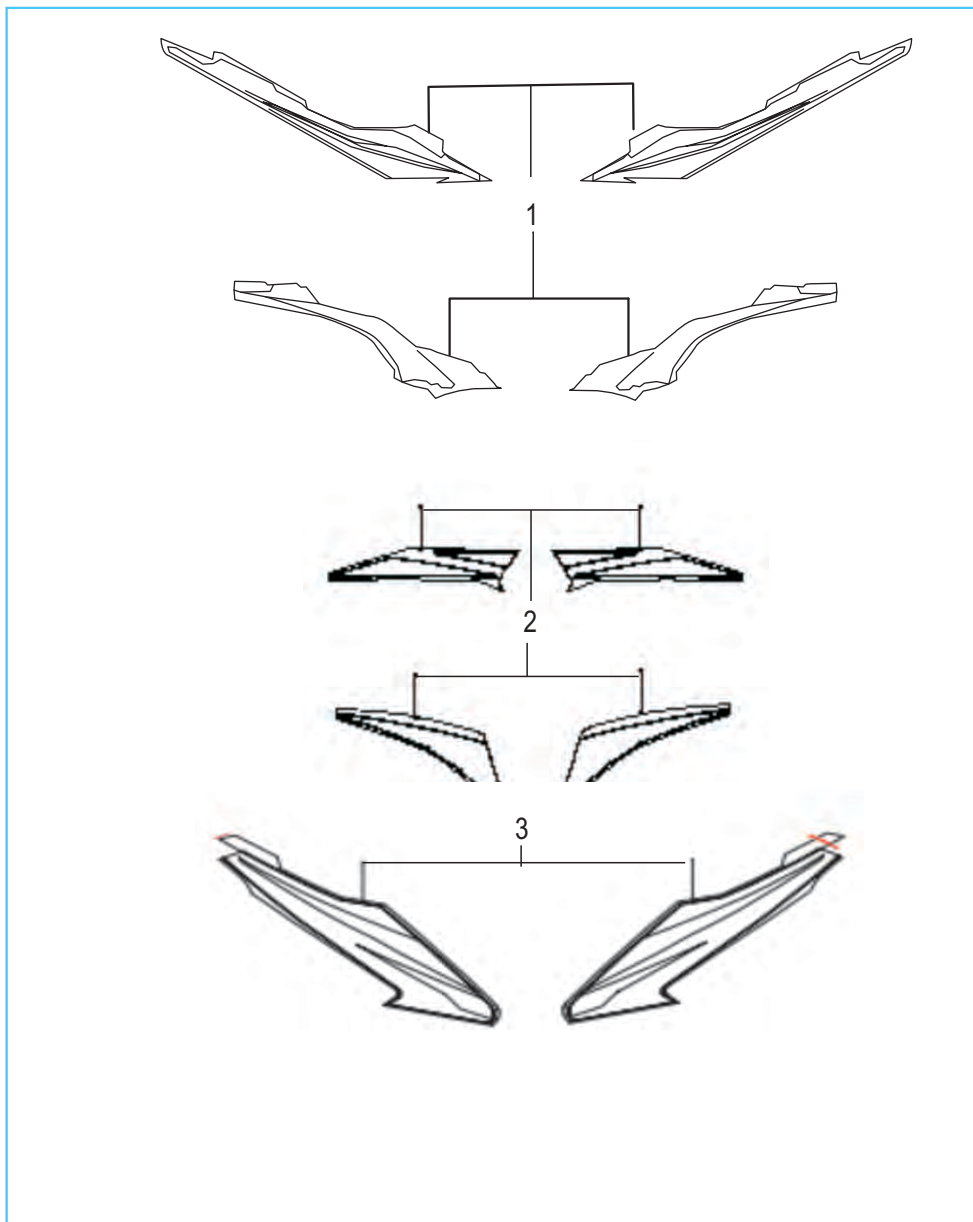
Painted Parts and Decals

No.	Part No.	Description	Qty.		Remarks
			200 NS	200 AS	
10	JL 2330 04	3D Decal Tank RH	1	-	
10A	JL 2331 85	3D Decal Tank LH/RH	1	-	For Iran
10B	JL 2330 17	3D Tank Decal Set Rouser	1	-	For Argentina
11	JL 2330 03	3D Decal Tank LH	1	-	
	JL 2332 39	3D Decal Silver	2	-	w.e.f May'16
12	JL 2330 02	'B' Logo	1	-	
13	36 JL00 48	Fairing DCL Upper - Blue	1	-	
	36 JL00 26	Fairing DCL Upper - Black	1	-	
	36 JL00 63	Fairing DCL Upper - White	1	-	
	36 JL00 49	Fairing DCL Upper - Red	1	-	
14	JL 2330 05	Decal Side Cover 4 Valve	2	-	
15	JL 2330 06	Decal Seat Cowl 200 NS	2	-	

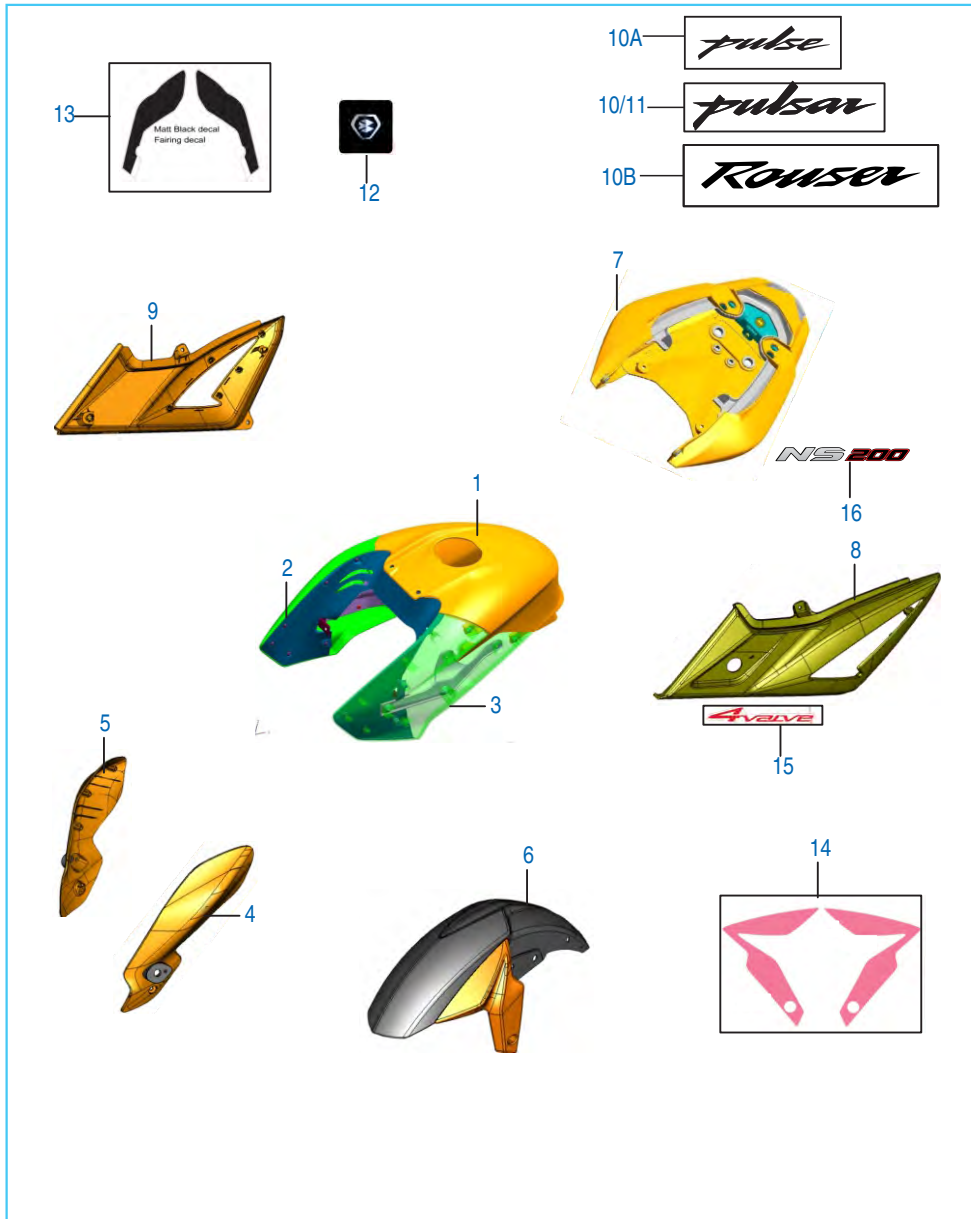


Painted Parts and Decals New Decal Scheme As Per Cir IB-166

No.	Part No.	Description	Qty.		Remarks
			200 NS	200 AS	
1	36 JL00 78	Kit New Dcl Seat Cowl	1	-	Passion Red
	36 JL00 79	Kit New Dcl Seat Cowl	1	-	Metallic White
	36 JL00 80	Kit New Dcl Seat Cowl	1	-	Saffire Blue
2	36 JL00 81	Kit New Dcl Spoiler	1	-	Passion Red
	36 JL00 82	Kit New Dcl Spoiler	1	-	Metallic White
	36 JL00 83	Kit New Dcl Spoiler	1	-	Saffire Blue
	36 JL00 92	Kit New Dcl Spoiler	1	-	For Iran
3	36 JL00 84	Kit New Dcl Necked Sport	1	-	
4	36 JL00 53	Kit Dcl Tank Lower P- Red	1	-	N.I
	36 JL00 52	Kit Dcl Tank Lower S Blue	1	-	N.I
	36 JL00 68	Kit Dcl Tank Lower M White	1	-	N.I
	36 JL00 93	Kit Dcl Tank Lower PM White	1	-	For Iran

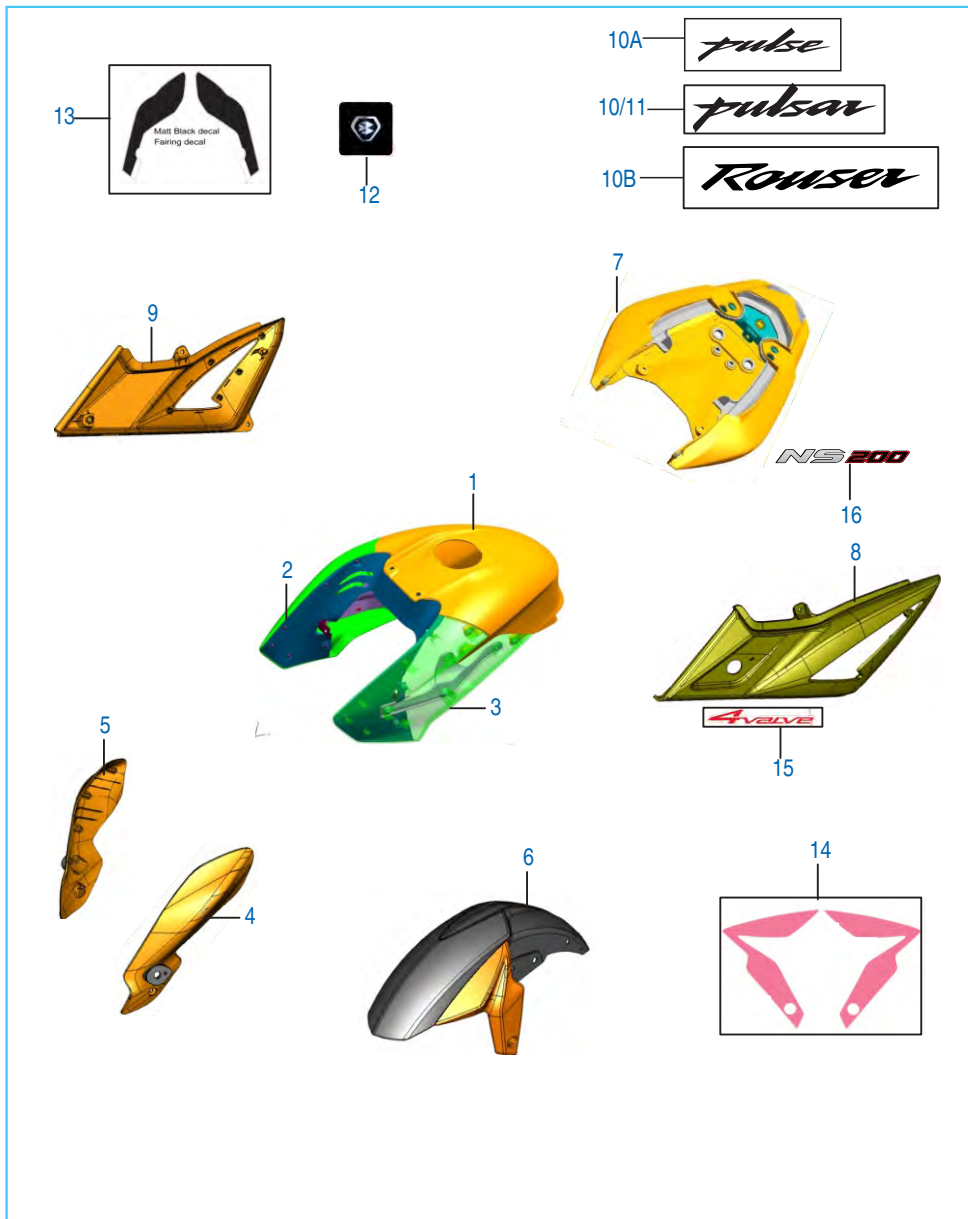


No.	Part No.	Description	Qty.		Remarks
			200 NS	200 AS	
1	36 JL00 58	Kit Dcl Seat Cowl	1	-	Passion Red
	36 JL00 66	Kit Dcl Seat Cowl	1	-	Metallic White
	36 JL00 57	Kit Dcl Seat Cowl	1	-	Saffire Blue
2	36 JL00 54	Kit Dcl Spoiler	1	-	Passion Red
	36 JL00 67	Kit Dcl Spoiler	1	-	Metallic White
	36 JL00 55	Kit Dcl Spoiler	1	-	Saffire Blue
3	36 JL00 61	Kit Dcl Fender	1	-	Passion Red
	36 JL00 65	Kit Dcl Fender	1	-	Metallic White
	36 JL00 60	Kit Dcl Fender	1	-	Saffire Blue
	36 JL00 64	Kit Dcl Fender	1	-	Ebony Black
4	36 JL00 53	Kit Dcl Tank Lower P- Red	1	-	N.I
	36 JL00 52	Kit Dcl Tank Lower S Blue	1	-	N.I
	36 JL00 68	Kit Dcl Tank Lower M White	1	-	N.I



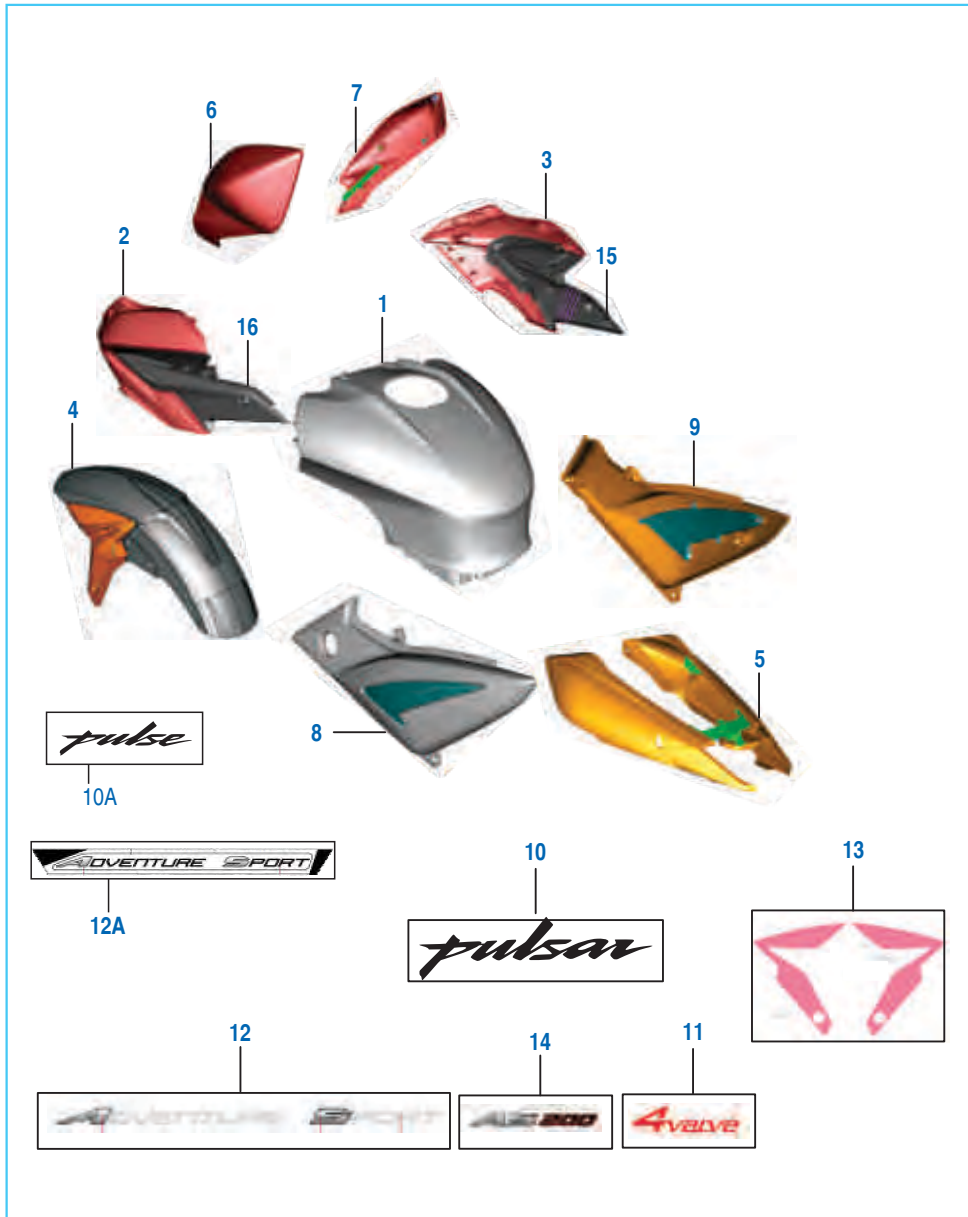
Painted Parts and Decals (Old- up tp Oct. 2013_Refer Circular IB-82)

No.	Part No.	Description	Qty.		Remarks
			200 NS	200 AS	
1	JL 7401 5P	Tank Cover Top - Saffire Blue	1	-	
	JL 7401 5N	Tank Cover Top - Black	1	-	
	JL 7401 5Q	Tank Cover Top - Yellow	1	-	
2	JL 7401 5M	Tank Cover Top - Red	1	-	
	JL 7301 5P	Tank Cover Side LH - Saffire Blue	1	-	
	JL 1710 45	Tank Cover Side LH - Black	1	-	
3	JL 1710 45	Tank Cover Side LH - Yellow	1	-	
	JL 7301 5M	Tank Cover Side LH - Red	1	-	
	JL 7302 5P	Tank Cover Side RH - Saffire Blue	1	-	
4	JL 7302 5N	Tank Cover Side RH - Black	1	-	
	JL 1710 46	Tank Cover Side RH - Yellow	1	-	
	JL 1710 46	Tank Cover Side RH - Red	1	-	
5	JL 7602 5P	Side Mask RH - Saffire Blue	1	-	
	JL 7602 5N	Side Mask RH - Black	1	-	
	JL 1812 34	Side Mask RH - Yellow	1	-	
6	JL 7602 5M	Side Mask RH - Red	1	-	
	JL 7601 5P	Side Mask LH - Saffire Blue	1	-	
	JL 7601 5N	Side Mask LH - Black	1	-	
7	JL 7602 5Q	Side Mask LH - Yellow	1	-	
	JL 1812 33	Side Mask LH - Red	1	-	
	52 JL00 65	Front Fender - Blue	1	-	
7	52 JL00 66	Front Fender - Black	1	-	
	52 JL00 67	Front Fender - Yellow	1	-	
	52 JL00 59	Front Fender - Red	1	-	
	JL 7801 5P	Seat Cowl Assly - Blue	1	-	N.S
JL 7801 5N	Seat Cowl Assly - Black	1	-		
JL 1810 05	Seat Cowl Assly - Yellow	1	-		
JL 7801 5M	Seat Cowl Assly - Red	1	-		



Painted Parts and Decals (Old- up tp Oct. 2013_Refer Circular IB-82)

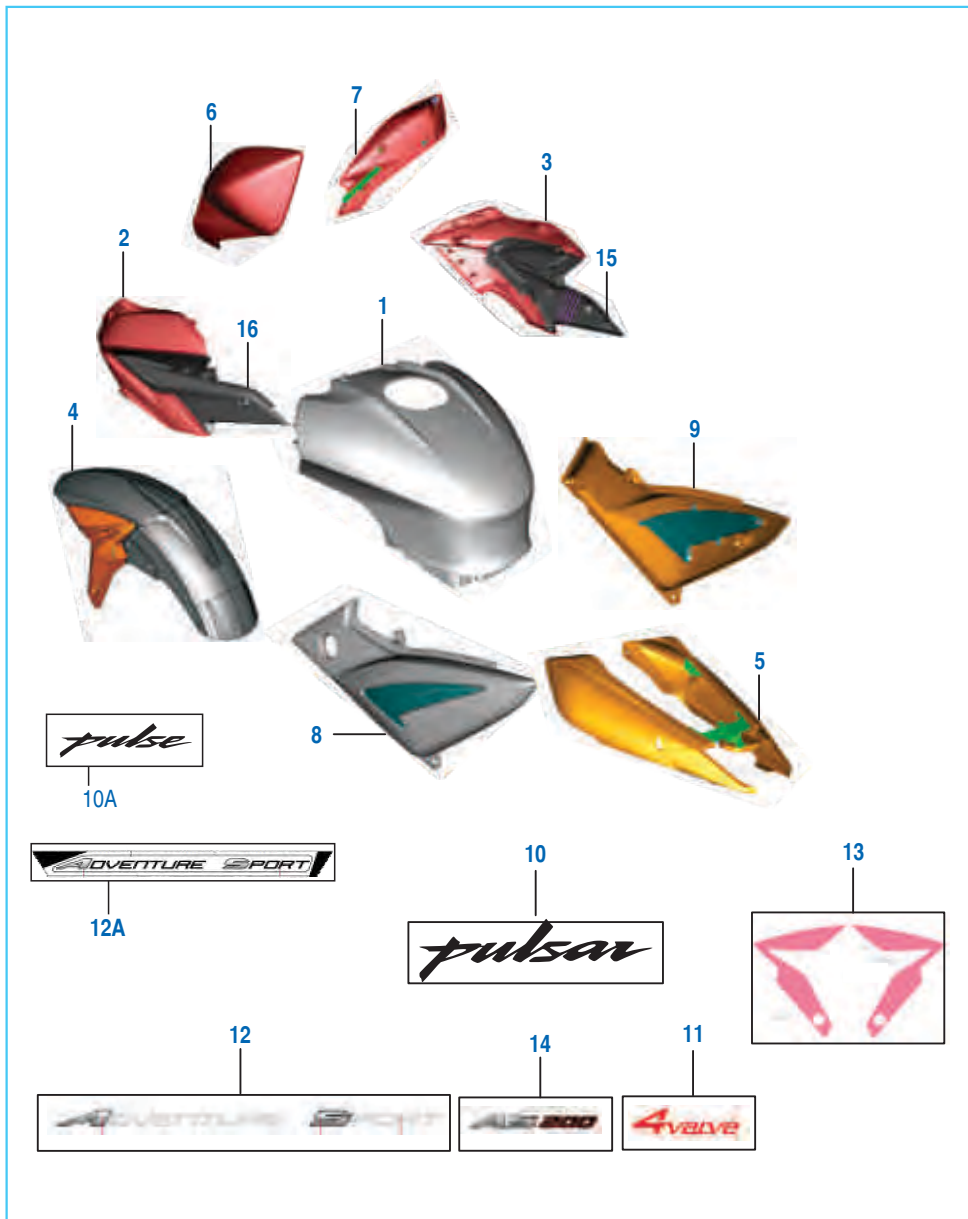
No.	Part No.	Description	Qty.		Remarks
			200 NS	200 AS	
8	52 JL00 54	Cover Side LH Assly	1	-	
9	52 JL00 55	Cover Side RH Assly	1	-	
10	JL 2330 04	3D Decal Tank RH	1	-	
10A	JL 2331 85	3D Decal Tank LH/RH	1	-	For Iran
10B	JL 2330 17	3D Tank Decal Set Rouser	1	-	For Argentina
11	JL 2330 03	3D Decal Tank LH	1	-	
	JL 2332 39	3D Decal Silver	2	-	w.e.f May'16
12	JL 2330 02	'B' Logo	1	-	
13	36 JL00 26	Fairing Decal	1	-	
14	36 JL00 27	Fender Decal - Red	1	-	
	36 JL00 28	Fender Decal - Blue	1	-	
	36 JL00 29	Fender Decal - Black	1	-	
	36 JL00 30	Fender Decal - Yellow	1	-	
15	JL 2330 05	Decal Side Cover '4 Valve'	2	-	
16	JL 2330 06	Decal Seat Cowl '200 NS'	2	-	



Painted Parts and Decals

No.	Part No.	Description	Qty.		Remarks
			200 NS	200 AS	
1	56 JL22 4R	Tank Cover Top	-	1	Passion Red
	56 JL22 5N	Tank Cover Top	-	1	Saffire Blue
	56 JL22 X3	Tank Cover Top	-	1	Ebony Black
2	52 JL03 52	Side Fairing Front LH Red	-	1	
	52 JL03 53	Side Fairing Front LH Blue	-	1	
	52 JL03 54	Side Fairing Front LH Black	-	1	
3	52 JL03 49	Side Fairing Front RH Red	-	1	
	52 JL03 50	Side Fairing Front RH Blue	-	1	
	52 JL03 51	Side Fairing Front RH Black	-	1	
4	JL 7501 5L	Fender With Decal	-	1	Passion Red
	52 JL00 65	Fender With Decal	-	1	Saffire Blue
	JL 7501 X3	Fender With Decal	-	1	Ebony Black
5	52 JL03 55	Seat Cowl	-	1	Passion Red
	52 JL03 56	Seat Cowl	-	1	Saffire Blue
	52 JL03 57	Seat Cowl	-	1	Ebony Black
6	56 JL14 4R	Side Mask LH	-	1	Passion Red
	56 JL14 5N	Side Mask LH	-	1	Saffire Blue
	56 JL14 X3	Side Mask LH	-	1	Ebony Black
7	56 JL15 4R	Side Mask RH	-	1	Passion Red
	56 JL15 5N	Side Mask RH	-	1	Saffire Blue
	56 JL15 X3	Side Mask RH	-	1	Ebony Black
8	52 JL00 54	Cover Side LH Assly	-	1	
9	52 JL00 55	Cover Side RH Assly	-	1	
10	JL 2330 03	3D Decal Tank	-	2	
10A	JL 2331 85	3D Decal Tank	-	2	For Iran
11	JL 2330 05	Decal Side Cover 4 Valve	-	2	
12	JL 2331 53	Decal Adventure	-	2	
12A	JL 2331 90	Decal Adventure	-	2	For Iran

Painted Parts and Decals



No.	Part No.	Description	Qty.		Remarks
			200 NS	200 AS	
13	36 JL00 28	Kit Decal Fender	-	1	Blue
	36 JL00 61	Kit Decal Fender	-	1	Red
	36 JL00 60	Kit Decal Fender	-	1	Black
	36 JL00 90	Kit Decal Fender	-	1	White For Iran
14	JL 2331 55	Seat Cowl Decal	-	2	
15	56 JL66 4X	Side Fairing RR RH	-	1	
16	56 JL67 4X	Side Fairing RR LH	-	1	

Exclusive Part List - Iran

Page no.	Fig. no.	Part No.	Description	Model
114	1	56JL225Y	Tank Cover Top - Metallic White	NS 200
116	10A	JL233185	3D Decal Tank LH/RH	NS 200
118	17	36JL0092	Kit New Dcl Spoiler	NS 200
118	19	36JL0093	Kit Dcl Tank Lower PM White	NS 200
126	10A	JL233185	3D Decal Tank	NS/AS 200
126	12A	JL233190	Decal Adventure	AS 200
128	13	36JL0090	Kit Decal Fender	AS 200

Exclusive Part List - Argentina

Page no.	Fig. no.	Part No.	Description	Model
20	1	JL501014	Assembly Engine	
32	1	JL541224	Cover Magneto	
42	19	JL351032	Stator Assly Compl.	
44	14	JL402002	Regulator Assly	
74	20	JL401405	Switch Control RH	
108	1	JL402210	Harness Wiring	
116	10B	JL233017	3D Tank Decal Set Rouser	

Kit List

Sr No	Kit Part No.	Kit Description	Consisting of Following Parts		
			Part No.	Description	Qty/Kit
1.	36JL0009	Kit Chain Sprocket-P200	DV101048	Sprocket Output (14T)	1
			JL141000	Chain	1
			JL131228	Sprocket 39T	1
2.	36JL0011	Kit Valve Repaire-P200	39201719	Seal - Oil	1
			JF511215	Seat Valve Spring	1
			JF511217	Valve Spring	1
			JF511214	Retainer Valve Spring	1
			DG101029	Collet	2
3.	36JL0012	Kit Tank Damper-P200	JL171028	Damper Tank Cover Fr LH	1
			JL171029	Damper Tank Cover Fr RH	1
			JL171030	Damper Tank Cover Center LH	1
			JL171031	Damper Tank Cover Center RH	1
			JL171032	Damper Tank Cover Rear	1
			JL171038	Beading Tank LH	1
4.	36JL0013	Kit Seat Damper-P200	JL191007	Damper For Seat	6
			DK211007	Damper Seat Front	1
5.	36JL0014	Kit Engine Gasket-P200	JL541207	Gasket Clutch Cover	1
			JL541208	Gasket Magneto Cover	1
			JL521002	Gasket Cylinder Block	1
			JL511022	Gasket Cylinder Head	1
			JG541041	Gasket Crankcase	1
			CS101128	Gasket	1
			JL511001	Gasket Head Cover(rubber)	1
			JG591070	Gasket Exhaust	1
6.	36JL0003	Kit Assly C'case LH-P200	JL541009	Crankcase LH Black	1
			JC101077	Plug Taper	2
			JG541021	Oil Nozzle	1
			JG541015	Needle Bearing HK 1514 RS	1
			39256220	Bearing - Needle Roller	1
			JG541020	Jet Oil Crankcase RH	1

Kit List

Sr No	Kit Part No.	Kit Description	Consisting of Following Parts		
			Part No.	Description	Qty/Kit
7.	36JL0004	Assly C' Case RH-P200	JL541010	Crankcase RH Black	1
			BA102003	Plug - Oil Hole	3
			39256220	Bearing - Needle Roller	1
			JL541008	Pipe Breather Crankcase	1
8.	36JL0007	Block & Piston-P200	JL521200	Piston Assly Compl	1
			JL521004	Cylinder Block With Nipple	1
9.	36JL0010	Assly Cyl Head-P200	JL511019	Cylinder Head	1
			39128321	Ring - O	1
			JG511046	Stud (M8*1.25)	2
10.	36JL0001	Chain Guide-P200	JL531004	Guide Chain (Slack Side)	1
			JL531005	Guide Chain (Tight Side)	1
11.	36JL0002	Asly Cl Cover-P200	JL541206	Clutch Cover P2011	1
			JC101077	Plug Taper	1
			JL541218	Jet Oil Cover Clutch	1
			JG541021	Oil Nozzle	2
			39199020	Bearing - Needle	1
12.	36JU0001	Piston Ring-P200	JU521206	Ring Piston Top	1
			JU521207	Ring Piston Second	1
			JU521208	Ring Piston Oil	1
13.	36JU0002	Friction Plate-P200	JG551448	Friction Disk A	5
			JG551455	Disc C-Clutch Friction	1
14.	36JL0015	Pillion Hardware-P200	JD113019	Pin Foot Step	1
			30141031	Ring - O	1
			39104011	Washer - Plain	1
			39078408	Pin - Split	1
15.	36JL0016	S Cowl Grommet-P200	JL181219	Grommet -1 Seat Cowl	2
			JL181220	Grommet -2 Seat Cowl	2
			DL161015	Grommet	2

Kit List

Sr No	Kit Part No.	Kit Description	Consisting of Following Parts		
			Part No.	Description	Qty/Kit
16.	36JL0017	Wind Shield MtG-P200	01160508	Washer Lock	3
			JG181236	Well Nut - M5 X 16 L	2
			JG181235	Washer Special	2
			JL181247	Grommet Wind Screen Mounting	2
			JL171057	Damper -Tank Side cover	2
			DS141012	Grommet Side Cover Front	4
17.	36JL0019	Jet P200	-- ---- --	Jet Needle	1
			-- ---- --	Needle Jet	1
			-- ---- --	Je Holder	1
			-- ---- --	Main Jet	1
			DK121063	Pilot Jet	1
			18.	36JL0020	VC Screw P200
DH121130	O- Ring Screw VC	1			
DH121086	Spring Screw VC	1			
DH121087	Plain Washer	1			
DH121088	O- Ring Screw VC	1			
19	36JL0021	Idling Screw P200			
			DH121163	Plain Washer	1
			DH121077	Spring	1
			20.	36JL0022	Piston Valve P200
DK121055	Diaphragm	1			
DK121054	Spring	1			
21.	36JL0023	Gasket / 'O' ring P200	DK121058	O-Ring / Gasket Float Chamber	1
			DH121118	O-Ring - Drain Screw	1
			DH121088	O-Ring - VC Screw	1
			DH121130	O-Ring - VC Screw	1
22.	36JL0024	Jet Needle Hardware P200	DD121056	Holder For Jet Needle	1
			DD121050	Spring-Jet Needle	1
			DD121052	Washer-Jet Needle	1
			Dd121054	E-Clip	1

Kit List

Sr No	Kit Part No.	Kit Description	Consisting of Following Parts		
			Part No.	Description	Qty/Kit
23.	36JL0031	Kit Tank Mtg Hardware	JL171070	Tank Cover Grommet	4
			JL171071	Tank Coover Mtg Sleeve	4
			39023911	Washer - Plain	4
			LAC00034	Bolt M6 X 20	2
24	36JL0021	Kit Idling Screw	-- ---- --	Screw Idling Adjustment	1
			DH121163	Plain Washer	1
			DH121077	Spring	1
25	36JL0026	Kit Fairing Decal - Black	JI233000	Decal Fairing LH	1
			JI233001	Decal Fairing RH	1
26	36JL0049	Kit Dcl Fairing-P Red	JI233077	Fairing Upper Decal LH	1
			JI233078	Fairing Upper Decal RH	1
			JI233079	Fairing Lower Decal LH	1
			JI233080	Fairing Lower Decal RH	1
27	36JL0063	Kit Dcl Fairing-M White	JI233093	Fairing Upper Decal LH	1
			JI233094	Fairing Upper Decal RH	1
			JI233095	Fairing Lower Decal LH	1
			JI233096	Fairing Lower Decal RH	1
28	36JL0048	Kit Dcl Fairing-S Blue	JI233109	Fairing Upper Decal LH	1
			JI233110	Fairing Upper Decal RH	1
			JI233111	Fairing Lower Decal LH	1
			JI233112	Fairing Lower Decal RH	1
29	36JL0064	Kit Dcl Fender-E Black	JI233035	Fender Decal LH	1
			JI233036	Fender Decal RH	1
30	36JL0061	Kit Dcl Fender-P Red	JI233091	Decal Fender LH	1
			JI233092	Decal Fender RH	1
31	36JL0065	Kit Dcl Fender-M White	JI233107	Decal Fender LH	1
			JI233108	Decal Fender RH	1

Kit List

Sr No	Kit Part No.	Kit Description	Consisting of Following Parts		
			Part No.	Description	Qty/Kit
32	36JL0060	Kit Dcl Fender-S Blue	JI233123	Decal Fender LH	1
			JI233124	Decal Fender RH	1
33	36JL0058	Kit Dcl S Cowl-P Red	JI233087	Seat Cowl Upper Decal LH	1
			JI233088	Seat Cowl Upper Decal RH	1
			JI233089	Seat Cowl Lower Decal LH	1
			JI233090	Seat Cowl Lower Decal RH	1
34	36JL0066	Kit Dcl S Cowl-M White	JI233103	Seat Cowl Upper Decal LH	1
			JI233104	Seat Cowl Upper Decal RH	1
			JI233105	Seat Cowl Lower Decal LH	1
			JI233106	Seat Cowl Lower Decal RH	1
35	36JL0057	Kit Dcl S Cowl-S Blue	JI233119	Seat Cowl Upper Decal LH	1
			JI233120	Seat Cowl Upper Decal RH	1
			JI233121	Seat Cowl Lower Decal LH	1
			JI233122	Seat Cowl Lower Decal RH	1
36	36JL0054	Kit Dcl Spoiler-P Red	JI233083	Spoiler Upper Decal LH	1
			JI233084	Spoiler Upper Decal RH	1
			JI233085	Spoiler Lower Decal LH	1
			JI233086	Spoiler Lower Decal RH	1
37	36JL0067	Kit Dcl Spoiler-M White	JI233099	Spoiler Upper Decal LH	1
			JI233100	Spoiler Upper Decal RH	1
			JI233101	Spoiler Lower Decal LH	1
			JI233102	Spoiler Lower Decal RH	1
38	36JL0055	Kit Dcl Spoiler-S Blue	JI233115	Spoiler Upper Decal LH	1
			JI233116	Spoiler Upper Decal RH	1
			JI233117	Spoiler Lower Decal LH	1
			JI233118	Spoiler Lower Decal RH	1
39	36JL0053	Kit Dcl Tank Lower-P Red	JI233081	Tank Lower Decal LH	1
			JI233082	Tank Lower Decal RH	1

Kit List

Sr No	Kit Part No.	Kit Description	Consisting of Following Parts		
			Part No.	Description	Qty/Kit
40	36JL0068	Kit Dcl Tank Lower-M White	JI233097	Tank Lower Decal LH	1
			JI233098	Tank Lower Decal RH	1
41	36JL0052	Kit Dcl Tank Lower-S Blue	JI233113	Tank Lower Decal LH	1
			JI233114	Tank Lower Decal RH	1
42	36JL0078	Kit New Dcl S Cowl - P Red	JI233181	Seat Cowl Dcl Upper LH	1
			JI233182	Seat Cowl Dcl Upper RH	1
			JI233183	Seat Cowl Dcl Lower LH	1
			JI233184	Seat Cowl Dcl Lower RH	1
43	36JL0079	Kit New Dcl S Cowl - M White	JI233167	Seat Cowl Dcl Upper LH	1
			JI233168	Seat Cowl Dcl Upper RH	1
			JI233169	Seat Cowl Dcl Lower LH	1
			JI233170	Seat Cowl Dcl Lower RH	1
44	36JL0080	Kit New Dcl S Cowl - S Blue	JI233171	Seat Cowl Dcl Upper LH	1
			JI233172	Seat Cowl Dcl Upper RH	1
			JI233173	Seat Cowl Dcl Lower LH	1
			JI233174	Seat Cowl Dcl Lower RH	1
44	36JL0081	Kit New Dcl Spoiler - P Red	JI233083	Spoiler Dcl Upper LH	1
			JI233084	Spoiler Dcl Upper RH	1
			JI233175	Spoiler Dcl Lower LH	1
			JI233176	Spoiler Dcl Lower RH	1
45	36JL0082	Kit New Dcl Spoiler - M White	JI233099	Spoiler Dcl Upper LH	1
			JI233100	Spoiler Dcl Upper RH	1
			JI233177	Spoiler Dcl Lower LH	1
			JI233178	Spoiler Dcl Lower RH	1
46	36JL0083	Kit New Dcl Spoiler -S Blue	JI233115	Spoiler Dcl Upper LH	1
			JI233116	Spoiler Dcl Upper RH	1
			JI233179	Spoiler Dcl Lower LH	1
			JI233180	Spoiler Dcl Lower RH	1
47	36JL0084	Kit Dcl Necked Sport	JI233165	Necked Sport Dcl LH	1
			JI233166	Necked Sport Dcl RH	1

Kit List

Sr No	Kit Part No.	Kit Description	Consisting of Following Parts		
			Part No.	Description	Qty/Kit
48	36JL0117	Kit Dcl Fender Red-Blk BS IV	JL233253	Decal Fender Front LH Red-Black	1
			JL233254	Decal Fender Front RH Red-Black	1
49	36JL0114	Kit Dcl Fairing Red-Blk BS IV	JL233243	Decal Fairing LH Red-Black	1
			JL233244	Decal Fairing RH Red-Black	1
50	36JL0115	Kit Dcl CVR Tank Red-blk BSIV	JL233245	Decal Cover Tank Up LH Red-Blk	1
			JL233246	Decal Cover Tank Up RH Red-Blk	1
51	36JL0108	Kit Dcl Side CVR R-Blk BS IV	JL233249	Decal Side Cover LH Red-Black	1
			JL233250	Decal Side Cover RH Red-Black	1
52	36JL0116	Kit Dcl Seat Cowl R-Blk BSIV	JL233251	Decal Cowl Seat LH Red-Black	1
			JL233252	Decal Cowl Seat RH Red-Black	1
53	36JL0121	Kit Dcl Fender White-Blk BSIV	JL233267	Decal Fender Front LH White-Gray	1
			JL233268	Decal Fender Front RH White-Gray	1
54	36JL0118	Kit Dcl Fairing Wht-blk BSIV	JL233257	Decal Fairing LH White-Gray	1
			JL233258	Decal Fairing RH White-Gray	1
55	36JL0119	Kit Dcl CVR Tank Wht-blk BSIV	JL233259	Decal Tank Upper LH White-Gray	1
			JL233260	Decal Tank Upper RH White-Gray	1
56	36JL0110	Kit Dcl Side CVR Wht-blk BSIV	JL233263	Decal Side Cover LH White-Gray	1
			JL233264	Decal Side Cover RH White-Gray	1
57	36JL0120	Kit Dcl Seat Cowl Wht-blk BSIV	JL233265	Decal Cowl Seat LH White-Gray	1
			JL233266	Decal Cowl Seat RH White-Gray	1
58	36JL0125	Kit Fender Front Dcl BL-Gray	JL233296	Decal Fender Front LH Black-Gray	1
			JL233297	Decal Fender Front RH Black-Gray	1
59	36JL0122	Kit Fairing Dcl BL-Gray	JL233288	Decal Fairing LH Black-Gray	1
			JL233289	Decal Fairing RH Black-Gray	1
60	36JL0123	Kit Cover Tank Dcl BL-Gray	JL233290	Decal Cover Tank Top LH Blk-Gray	1
			JL233291	Decal Cover Tank Top RH Blk-Gray	1

Kit List

Sr No	Kit Part No.	Kit Description	Consisting of Following Parts		
			Part No.	Description	Qty/Kit
61	36JL0127	Kit Dcl Side CVR Blk-Gry BSIV	JL233292	Decal Side Cover LH Black-Gray	1
			JL233293	Decal Side Cover RH Black-Gray	1
62	36JL0124	Kit Dcl Seat Cowl Blk-Gry BSIV	JL233294	Decal Cowl Seat LH Black-Gray	1
			JL233295	Decal Cowl Seat RH Black-Gray	1
63	36JL0130	Kit Fender Fr Dcl YL-Gry BSIV	JL233308	Decal Fender Front LH Yellow-Gry	1
			JL233309	Decal Fender Front RH Yellow-Gry	1
64	36JL0131	Kit Fairing Dcl YL-GRAY BSIV	JL233300	Decal Fairing LH Yellow-Gray	1
			JL233301	Decal Fairing RH Yellow-Gray	1
65	36JL0132	Kit Cvr Tank Dcl YL-Gray BSIV	JL233302	Decal CVR Tank Top LH Ylw-Gray	1
			JL233303	Decal CVR Tank Top RH Ylw-Gray	1
66	36JL0133	Kit Dcl Side Cvr YL-GRY BSIV	JL233304	Decal Side Cover LH Yellow-Gray	1
			JL233305	Decal Side Cover RH Yellow-Gray	1
67	36JL0134	Kit Dcl Seat Cowl YL-Gry BSIV	JL233306	Decal Cowl Seat LH Yellow-Gray	1
			JL233307	Decal Cowl Seat RH Yellow-Gray	1
68	36JL0135	KIT TANK CVR DCL NS200	JL233327	Decal Cover Tank LH-200	1
			JL233328	Decal Cover Tank RH-200	1

Amendment Sheet

Page no.	Fig. no.	Old part no.	New part no.	Description	Updation date	Remarks
54	24	N/A	36JL0041	KIT MAIN STEP	16.08.13	CORRECTION (MAIL DATED:16.08.13)
86	1	N/A	JL171081	TANK ASSLY	03.10.13	REF. CIRULAR IB-73
86	6	N/A	JL402602	SENSOR FUEL LEVEL	03.10.13	REF. CIRULAR IB-73
86	25	JL171096	30141039	SEALING RING	03.10.13	ALTERNATE
86	26	N/A	JL171073	DAMPER TANK	03.10.13	REF. CIRULAR IB-73
42	8	LDB00010	39216511	PLAIN WASHER	25.10.13	CORRECTION
42	9	LAD00055	DH101396	BOL HEX	25.10.13	CORRECTION
42	10	DK101595	JG351019	BODY COMP. ST. CLUTCH	25.10.13	CORRECTION
42	11	DK101163	JY551402	CLUTCH ONE WAY ASSLY.	25.10.13	CORRECTION
42	12	DK101596	N/A	SPRING ST. CLUTCH	25.10.13	DELETED (CORRECTION)
42	12	N/A	39084914	TOOTHED LOCK WASHER	25.10.13	NEW PART ADDED (CORRECTION)
42	13	DK101605	N/A	PLATE ROLLER CLUTCH	25.10.13	DELETED (CORRECTION)
42	13	N/A	DH101389	PRE-COATED SCREW	25.10.13	NEW PART ADDED (CORRECTION)
42	13	DK101605	N/A	PLATE ROLLER CLUTCH	25.10.13	DELETED (CORRECTION)
42	13	N/A	DH101389	PRE-COATED SCREW	25.10.13	NEW PART ADDED (CORRECTION)
42	14	DK101382	N/A	PRE-COATED SCREW	25.10.13	DELETED (CORRECTION)
42	15			SHIFTED TO SR. NO. 12		
42	16	59100002	N/A	SPRING DOWEL	25.10.13	DELETED (CORRECTION)
42	17			SHIFTED TO SR. NO. 14		
43	21		JL232808	BRACKET-RR NO. PLATE	12.03.14	ADDED NEW PART
90	1	JL402400	JL402405	SPEEDOMETER	19.03.14	DELETED (CORRECTION)
4	72	N/A	JL5110294	COVER THERMOSTAT	20.03.14	NEW PART ADDED (CORRECTION)
24	12	JG601011	JL601005	COVER WATER PUMP	27.03.14	DELETED (CORRECTION)
28	16	JG601400	JG601237	RADIATOR FAN	20.06.14	ALTERNATE ADDED
22	20	-----	JG541074	OIL NOZZLE	09.07.14	NEW PART ADDED (CORRECTION)
28	21	JL601209	JL601235	EXPANSION TANK ASSY	17.09.14	REF. CIR. IB-124
28	25	JL601214	-	HOSE-EXP. TANK TOP	17.09.14	REF. CIR. IB-124
88	2	JL171023	JL171099	BRKT SIDE CVR MTG. RH	17.09.14	REF. CIR. IB-124
50	1	JL111106	JL111201	FRAME ASSLY	30.12.14	REF. CIR. IB-140
66	9	-	JL131825	SPRING PAD	17.02.15	CORRECTION (MAIL DATED : 17.02.15)
52	17	DG171015	JL122026	SHAFT SWING ARM	18.08.15	REF. CIR. IB-173
52	18	JL111109	DT113848	CAP	18.08.15	REF. CIR. IB-173
28	32	-----	JL601234	RADIATOR CORE	24.08.15	ADDITION
53	3	JL122014	JL122013	SWING ARM	13.10.15	CHILD PART SERVICED
32	1	52JL0145	JL541243	MAGNETO CVR ASSLY	05.11.15	CONFIRMATION FROM BUYERS
32	2	JA541233	JL541245	CAP TCD FINDER	05.11.15	CONFIRMATION FROM BUYERS
32	10	JL541238	JL541223	DECAL BAJAJ LOGO	05.11.15	CONFIRMATION FROM BUYERS
108	1	JL402203	JL402229	HARNES WIRING	10.12.15	REF. CIR. IB-194

Amendment Sheet

Page no.	Fig. no.	Old part no.	New part no.	Description	Updation date	Remarks
108	1A	JL402220	JL402228	WIRING HARNESS	21.01.16	ECR NO. N15JLELA0226
108	7	DT402006	DS201025	FLASHER	21.01.16	ECR NO. N15JLELA0226
18	1A	JL561401	JL561205	ASLY SHIFT LEVER- BALL JOINT	11.03.16	FROM DEC'15
18	2A	JL561404	JL561206	ASSLY LEVER CHANGE ARM	11.03.16	FROM DEC'15
18	4A	JL561405	52JF0062	TIE ROD WITH NUT ASSLY	11.03.16	FROM DEC'15
126	5	56JL224R	52JL0355	TANK CVR TOP PASSION RED	22.03.16	ALTERNATE
126	5	56JL225N	52JL0356	TANK CVR TOP SAFFIRE BLUE	22.03.16	ALTERNATE
126	5	56JL22X3	52JL0357	TANK CVR TOP EBONY BLACK	22.03.16	ALTERNATE
24	1A	JU531214	JL531204	BALANCER INTEGRAL	23.03.16	REF. CIR. IB-214
24	3A	JG531228	JL531203	SLEEVE BALANCER DRIVEN	23.03.16	REF. CIR. IB-214
100	10	EC401030	DK201043	BULB- H7 CATEGORY 12V 55W	01.04.16	BULB CHANGED FOR 200 AS
88	25	-----	JL181439	CVR TANK TOP INNER	14.04.16	ADDITION
32	1	JL541224	JL541244	MAGNETO COVER	20.05.16	UPDATION
39	11	56JL083G	-----	FLAP MOON LIGHT SILVER RH	20.05.16	DELETION
39	19	56JL073G	-----	FLAP MOON LIGHT SILVER LH	20.05.16	DELETION
6	4	DT511242	DT511261	ASSLY ROCKER ARM INTAKE	27.07.16	ALTERNATE
6	5	DT511243	DT511262	ASSLY ROCKER ARM EXHAUST	27.07.16	ALTERNATE
80	8	JL181226	JL181017	SHROUD ASSY LH	09.08.16	ALTERNATE
80	8	JL181451	JL181017	SHROUD ASSY LH	09.08.16	ALTERNATE
70	25	-----	DK151090	INSULATOR KIT	27.08.16	ADDITION
68	13	52JL0142	JL131930	DISC REAR	31.08.16	EC NO.-A16JLCHA1069
84	16	-----	JL111102	BRACKET SIDE COVER MTG	19.09.16	ADDITION
88	26	-----	JL181424	SUB ASSLY SIDE FAIRING LH	27.09.16	ADDITION
88	27	-----	JL181425	SUB ASSLY SIDE FAIRING RH	27.09.16	ADDITION
6	4	JL511006	DT511261	ASSLY ROCKER ARM INTAKE	05.10.16	ALTERNATE
6	5	JL511007	DT511262	ASSLY ROCKER ARM EXHAUST	05.10.16	ALTERNATE
126	1	52JL0355	56JL224R	TANK COVER TOP P RED	06.10.16	CORRECTION
126	1	52JL0356	56JL225N	TANK COVER TOP S BLUE	06.10.16	CORRECTION
126	1	52JL0357	56JL22X3	TANK COVER TOP E BLACK	06.10.16	CORRECTION
84	17	-----	JL171048	TANK COVER CENTRAL	10.11.16	ADDITION
44	15	-----	JL113836	BRACKET CDI MTG LOOSE	15.11.16	ADDITION
84	18	-----	LAC00034	BOLT M6	25.11.16	ADDITION
108	21	-----	JL401805	BATTERY LID CAP	28.11.16	ADDITION
56	7	JL181402	JL181464	BRACKET BRACE FENDER	28.12.16	REF. CIR. IB-266
56	9	JL181411	DT181434	CUP WASHER FRONT FENDER MTG	28.12.16	REF. CIR. IB-266
56	10	KACH0616	KACA0520	BOLT SOCKET HEAD	28.12.16	REF. CIR. IB-266
56	13	-----	JL181468	COLLAR FR FENDER	28.12.16	REF. CIR. IB-266
56	14	-----	DJ161091	GROMMET FRONT FENDER	28.12.16	REF. CIR. IB-266

Amendment Sheet

Page no.	Fig. no.	Old part no.	New part no.	Description	Updation date	Remarks
56	15	-----	DT181435	GROMMET FRONT FENDER	28.12.16	REF. CIR. IB-266
76	1	JL151024	JL121005	FORK ASSLY- FRONT	28.12.16	REF. CIR. IB-266

Amendment Sheet

Page no.	Fig. no.	Old part no.	New part no.	Description	Updation date	Remarks
----------	----------	--------------	--------------	-------------	---------------	---------

Parts Index

Part Number	Figure No.	Page No.	Part Number	Figure No.	Page No.
01100905	16	20	39104319	8	24
30101195	3	34	39104619	15	32
30151082	9	72	39105315	19	56
30191038	14	74	39105411	22	86
30191048	3	114	39105515	22	58
30201064	4	114	39106204	9	52
31101173	7	14	39118011	3	78
31161078	23	92	39122515	3	108
31201079	5	76	39128321	9	6
33141008	7	4	39150711	9	114
39019811	15	74	39153721	7A	32
39021111	14	106	39166511	15	26
39021111	16	112	39167204	8	46
39023911	3	90	39167204	5	84
39023911	23	112	39167304	10	6
39024211	12	60	39168904	5	62
39026512	10	100	39169801	24	74
39029115	3	96	39177304	6	24
39032615	4	60	39177802	5	92
39042215	11	62	39178001	16	38
39045411	11	56	39178101	6	90
39055302	12	56	39179104	3	100
39059417	28	22	39190204	9	20
39072211	4	90	39190701	15	110
39072211	7	94	39190701	13	112
39074011	27	86	39191304	11	50
39074601	21	22	39193120	6	14
39080808	6	20	39193120	3	22
39080808	16	74	39194104	4	62
39084001	13	66	39194304	21	86
39084914	11	46	39194304	2	90
39090012	12	66	39194304	25	112
39099906	3	28	39194404	5	30
39099906	11	32	39194404	13	48
39099906	4	34	39194404	5	54
39104119	10	32	39194404	14	116

Parts Index

Part Number	Figure No.	Page No.	Part Number	Figure No.	Page No.
39194604	8	60	39256220	13	24
39194604	5	62	39260120	11	22
39194604	18	86	39260220	8	22
39195604	3	52	39260607	3	18
39195604	10	114	39260607	16	26
39199020	2	32	39260801	15	6
39200511	18	22	39262921	8	6
39201719	1	8	39266921	10	10
39203804	17	72	39269920	16	6
39203804	7A	120	39270411	27	30
39206004	13	62	39270411	30	30
39213217	5	12	39272315	6	52
39214124	7	84	39272315	11	120
39214124	13	104	59040048	2	76
39214124	3	112	59040048	20	110
39215811	3	16	59200006	11	24
39216511	13	46	59200028	14	22
39216611	15	16	59200036	2	26
39218106	3	12	59210019	11	66
39218106	23	24	36DH1902	4	68
39220011	12	36	36DT0079	2	22
39220307	5	14	36DT0080	1	24
39220504	10	114	36JE0022	22	38
39224120	3	66	36JG0011	7	54
39224120	3	72	36JG0018	21	74
39224220	4	72	36JL0001	15	10
39230404	14	44	36JL0001	2	12
39238104	3	86	36JL0002	6	36
39242704	10	78	36JL0003	1	24
39244011	12	8	36JL0004	2	22
39246904	6	62	36JL0005	3	36
39247504	6	76	36JL0007	1	12
39248415	7	86	36JL0009	2	72
39248415	13	110	36JL0010	4	6
39253515	21	106	36JL0011	10	8
39256220	20	22	36JL0012	5	86

Parts Index

Part Number	Figure No.	Page No.	Part Number	Figure No.	Page No.
36JL0013	2	50	36JL0063	13	132
36JL0014	17	24	36JL0064	3	136
36JL0015	9	58	36JL0065	3	136
36JL0016	11	90	36JL0066	1	136
36JL0017	19	104	36JL0067	2	136
36JL0019	5	38	36JL0068	4	134
36JL0020	6	38	36JL0068	4	136
36JL0021	7	38	36JL0078	1	134
36JL0022	8	38	36JL0079	1	134
36JL0023	10	38	36JL0080	1	134
36JL0024	9	38	36JL0081	2	134
36JL0025	1	62	36JL0082	2	134
36JL0026	13	132	36JL0083	2	134
36JL0026	13	140	36JL0084	3	134
36JL0027	14	140	36JL0090	13	144
36JL0028	14	140	36JL0092	2	134
36JL0028	13	144	36JL0093	4	134
36JL0029	14	140	36JL0108	3	126
36JL0030	14	140	36JL0110	3	126
36JL0036	1	14	36JL0114	1	126
36JL0039	6	22	36JL0115	2	126
36JL0041	4	58	36JL0116	4	126
36JL0048	13	132	36JL0117	5	126
36JL0049	13	132	36JL0118	1	126
36JL0052	4	134	36JL0119	2	126
36JL0052	4	136	36JL0120	4	126
36JL0053	4	134	36JL0121	5	126
36JL0053	4	136	36JL0122	1	126
36JL0054	2	136	36JL0123	2	126
36JL0055	2	136	36JL0124	4	126
36JL0057	1	136	36JL0125	5	126
36JL0058	1	136	36JL0127	3	126
36JL0060	3	136	36JL0130	5	126
36JL0060	13	144	36JL0131	1	126
36JL0061	3	136	36JL0132	2	126
36JL0061	13	144	36JL0133	3	126

Parts Index

Part Number	Figure No.	Page No.	Part Number	Figure No.	Page No.
36JL0134	4	126	52JL0218	2	130
36JL0135	8	128	52JL0219	3	130
52JF0062	4	20	52JL0220	2	130
52JL0047	1	86	52JL0221	3	130
52JL0054	8	130	52JL0349	3	142
52JL0054	8	140	52JL0350	3	142
52JL0054	8	142	52JL0351	3	142
52JL0055	9	130	52JL0352	2	142
52JL0055	9	140	52JL0353	2	142
52JL0055	9	142	52JL0354	2	142
52JL0059	6	138	52JL0355	5	142
52JL0065	6	138	52JL0356	5	142
52JL0065	4	142	52JL0357	5	142
52JL0066	6	138	52JL0892	1	32
52JL0067	6	138	52JL0917	4	122
52JL0072	17	62	52JL0918	2	122
52JL0073	1	32	52JL0919	3	122
52JL0141	5	66	52JL0920	9	124
52JL0142	16	72	52JL0926	4	122
52JL0143	1	32	52JL0927	2	122
52JL0158	14	58	52JL0928	3	122
52JL0159	2	58	52JL0929	9	124
52JL0188	6	130	52JL0935	4	122
52JL0189	6	130	52JL0936	2	122
52JL0190	6	130	52JL0937	3	122
52JL0191	5	130	52JL0938	9	124
52JL0192	4	130	52JL0979	4	122
52JL0193	5	130	52JL0980	2	122
52JL0194	4	130	52JL0981	3	122
52JL0195	5	130	52JL0982	9	124
52JL0196	4	130	52JL0992	7	124
52JL0197	5	130	52JL0993	7	124
52JL0198	4	130	52JL0994	7	124
52JL0207	1	34	52JL0995	7	124
52JL0216	2	130	52JL0996	8	124
52JL0217	3	130	52JL0997	8	124

Parts Index

Part Number	Figure No.	Page No.	Part Number	Figure No.	Page No.
52JL0998	8	124	56JL22X3	1	142
52JL0999	8	124	56JL315X	2	78
52JL1018	1	122	56JL325X	6	78
52JL1019	1	122	56JL335X	18	80
52JL1020	1	122	56JL3831	10	124
52JL1021	1	122	56JL384r	10	124
56JL0101	17	58	56JL385y	10	124
56JL0201	10	58	56JL386t	11	124
56JL0401	2	86	56JL3931	11	124
56JL0601	1	52	56JL394r	11	124
56JL0701	2	52	56JL395y	11	124
56JL104R	7	130	56JL396t	10	124
56JL105N	7	130	56JL664X	15	144
56JL105Y	7	130	56JL674X	16	144
56JL10X3	7	130	AA101437	9	22
56JL144R	6	142	AA101437	17	32
56JL145N	6	142	AA141067	8	4
56JL14X3	6	142	AK201012	18A	116
56JL154R	7	142	AN111015	6	48
56JL155N	7	142	AP101236	3	10
56JL15X3	7	142	AP121064	15	40
56JL1W3V	1	34	AP201025	18	116
56JL2042	5	122	BA122003	31	86
56JL2045	5	122	BF551037	7	16
56JL2046	5	122	BF551037	17	16
56JL2047	5	122	BF561020	13	24
56JL20X3	2	130	BF561020	22	24
56JL2142	6	122	CB121042	12	38
56JL2145	6	122	CL201023	21	104
56JL2146	6	122	CS101128	12	10
56JL2147	6	122	DD111011	11	48
56JL21X3	3	130	DD111012	4	48
56JL224R	1	142	DD141022	17	86
56JL225N	1	142	DD201002	14	110
56JL225Y	1	130	DE151046	10	74
56JL22X3	1	130	DE151047	3	70

Parts Index

Part Number	Figure No.	Page No.	Part Number	Figure No.	Page No.
DE151047	9	74	DH121064	13	38
DE191010	10	68	DH161146	16	62
DE191010	8	74	DH161158	7	90
DE191028	7	68	DH161158	9	94
DE191029	6	68	DH191006	9	76
DE191033	15	68	DH191013	4	76
DE191033	5	70	DH191017	16	78
DF161102	12	62	DH191037	20	104
DG101029	9	8	DJ101302	14	30
DG101418	8	32	DJ101312	30	16
DG101456	10	24	DJ151074	7	70
DG121002	12	40	DJ151075	8	70
DG141028	28	86	DJ161091	14	60
DG151005	4	66	DJ161229	11	88
DG161124	2	62	DJ161229	16	110
DG171015	17	56	DJ161229	14	112
DG171016	4	56	DJ181029	16	106
DG171018	5	56	DJ181064	15	106
DG171019	6	56	DJ181065	2	30
DG181008	8	78	DJ181065	22	30
DG181008	25	80	DJ181065	9	84
DH101048	9	26	DJ191023	14	68
DH101199	16	46	DJ191029	2	68
DH101235	14	16	DJ191030	3	68
DH101295	11	8	DJ191031	5	68
DH101381	3	24	DJ191056	8	68
DH101388	21	32	DJ191057	1	68
DH101389	12	46	DJ191082	11	78
DH101392	14	10	DJ191083	12	78
DH101396	14	46	DJ201052	22	116
DH101509	3	20	DJ201109	9	68
DH101607	5	44	DJ201173	9	90
DH101648	13	36	DJ201173	8	94
DH111013	9	48	DJ201246	13	78
DH111016	10	48	DJ221019	1	118
DH121063	14	38	DK101225	14	6

Parts Index



Part Number	Figure No.	Page No.	Part Number	Figure No.	Page No.
DK101284	17	46	DK181017	9	80
DK101352	27	16	DK181018	7	80
DK101386	10	26	DK181019	8	80
DK111011	12	48	DK181020	10	80
DK111028	1	48	DK181021	6	80
DK121045	21	38	DK181022	16	80
DK121047	15	38	DK181023	17	80
DK141028	6A	86	DK181025	23	80
DK151012	9	72	DK181028	24	80
DK151013	8	72	DK181075	11	54
DK151015	14	72	DK201043	10	106
DK151026	2	64	DK201098	4	98
DK151031	2	74	DK211007	3	50
DK151036	1	72	DK221024	2	118
DK151045	20	74	DP101109	17	36
DK151063	7	74	DP101114	16	36
DK151069	11	68	DP101191	23	22
DK151069	4	74	DP101243	15	36
DK151073	17	74	DP161145	11	110
DK151074	18	74	DP161145	10	112
DK151081	20	72	DS101154	8	26
DK151082	21	72	DS101215	9	32
DK151083	1	74	DS121126	13	40
DK151085	13	74	DS141012	1	90
DK151088	11	74	DS141012	3	94
DK151089	12	74	DS161069	6	60
DK151090	25	74	DS161125	5	60
DK161209	5	96	DS161287	6	50
DK181006	4	80	DS191052	23	78
DK181007	5	80	DS201025	19	116
DK181009	14	80	DT113014	18	58
DK181010	14	80	DT113015	13	58
DK181011	14	80	DT113848	18	56
DK181012	14	80	DT113849	21	42
DK181013	14	80	DT113855	13	54
DK181015	11	80	DT121040	3	80

Parts Index



Part Number	Figure No.	Page No.	Part Number	Figure No.	Page No.
DT121048	2	80	JA581314	11	38
DT131018	1	64	JB181223	10	84
DT131222	5	64	JB181223	5	96
DT131832	11A	60	JC101034	9	10
DT161005	15	78	JC151019	3	98
DT181000	5a	100	JC151020	8	66
DT181010	9	96	JC181022	21	80
DT181310	19	106	JC181023	20	80
DT181311	18	106	JC201046	10	66
DT181322	12	54	JD113814	14	4
DT181414	4a	100	JD113815	15	4
DT181415	6a	100	JD131811	6	66
DT181434	9	60	JD171059	20	42
DT181435	15	60	JD171801	17	106
DT232601	17	78	JD191006	8	50
DT402006	7	114	JD351207	5	48
DT511239	1	10	JD351800	17	38
DT511261	4	8	JD401007	4	110
DT511262	5	8	JD561416	5	20
DT541019	5	32	JE541218	26	22
DT541212	1	32	JE581039	12	4
DT551400	1	36	JF113009	2	58
DT551401	8	36	JF113838	13	42
DT551402	5	36	JF171607	9	42
DT551403	10	36	JF171804	12	42
DT551408	7	36	JF171806	19	42
DT561206	10	20	JF171807	16	42
DU101225	7	10	JF401016	15	112
DV101048	29	16	JF511207	7	8
EC401030	21	104	JF511228	1	10
EC561023	2	18	JF531007	2	14
FD211006	5	50	JF531014	3	14
GH201212	4	108	JG122028	2	100
JA113403	5	52	JG131001	2	66
JA351627	2	46	JG131821	5	74
JA541048	15	24	JG161008	12	78

Parts Index

Part Number	Figure No.	Page No.	Part Number	Figure No.	Page No.
JG161010	1	68	JG541045	22	22
JG171029	20	30	JG541046	4	22
JG171029	17	42	JG541058	18	24
JG181235	3	104	JG541059	10	22
JG181236	2	104	JG541063	4	24
JG181238	2	96	JG541068	1	6
JG181259	12	96	JG541074	20	24
JG191008	4	50	JG541230	7	32
JG232601	9	50	JG541231	16	32
JG232606	10	50	JG551000	24	16
JG351019	9	46	JG551010	28	16
JG351209	2	48	JG551013	4	16
JG351400	13	6	JG551015	5	32
JG401601	8	114	JG551017	4	32
JG401808	12	114	JG551020	6	16
JG511021	3	2	JG551020	19	16
JG511022	4	2	JG551021	21	16
JG511046	5	6	JG551021	26	16
JG511269	7	10	JG551022	11	16
JG511270	13	10	JG551025	13	16
JG531027	8	14	JG551026	12	16
JG531031	9	14	JG551027	2	16
JG531039	12	14	JG551028	1	16
JG531040	13	14	JG551031	28	16
JG531041	11	14	JG551213	5	16
JG531207	7	26	JG551214	8	16
JG531211	3	26	JG551215	22	16
JG531212	4	26	JG551216	14	14
JG531215	5	26	JG551220	9	16
JG531220	2	10	JG551222	18	16
JG531228	3	26	JG551223	20	16
JG531229	4	26	JG551224	23	16
JG541015	12	24	JG551225	25	16
JG541041	16	24	JG551227	10	16
JG541043	7	46	JG551228	16	16
JG541044	5	24	JG551423	14	36

Parts Index

Part Number	Figure No.	Page No.	Part Number	Figure No.	Page No.
JG551427	2	36	JG601013	11	26
JG551428	4	36	JG601209	8	30
JG551443	8	36	JG601211	18	30
JG551447	7	36	JG601230	29	30
JG551449	5	36	JG601234	7	30
JG551451	11	36	JG601235	17	30
JG561008	12	18	JG601237	16	30
JG561009	17	22	JG621412	5	46
JG561010	4	18	JG621413	4	46
JG561011	1	18	JG621417	6	46
JG561012	7	18	JH171048	14	42
JG561013	8	18	JL111054	4	52
JG561016	9	18	JL111078	6	54
JG561200	10	20	JL111081	3	54
JG561204	15	22	JL111082	4	54
JG561205	16	22	JL111092	7	52
JG561215	11	18	JL111093	8	52
JG561215	11	20	JL111102	16	88
JG561217	13	20	JL111103	2	54
JG561218	12	20	JL111106	1	54
JG561222	5	18	JL111109	18	56
JG561225	10	18	JL111183	1	54
JG561226	19	22	JL111201	1	54
JG561232	12	20	JL111233	1	54
JG571014	24	22	JL113002	1	58
JG571016	25	22	JL113012	3	58
JG571024	14	24	JL113013	16	58
JG581014	28	30	JL113015	7	58
JG581014	8	54	JL113016	10	58
JG591038	3	44	JL113017	17	58
JG591039	6	44	JL113026	19	58
JG591070	10	44	JL113027	11	58
JG591096	7	44	JL113033	20	58
JG591097	8	44	JL113033	7	76
JG601005	6	26	JL113034	15	58
JG601012	13	26	JL113036	5	58

Parts Index

Part Number	Figure No.	Page No.	Part Number	Figure No.	Page No.
JL113038	21	58	JL131005	5	66
JL113057	15	58	JL131203	13	72
JL113201	9	62	JL131209	4	64
JL113207	7	62	JL131211	15	72
JL113209	15	62	JL131216	5	72
JL113210	3	62	JL131218	16	72
JL113212	8	62	JL131220	6	74
JL113800	2	110	JL131225	7	72
JL113803	6	110	JL131226	11	72
JL113809	23	86	JL131232	6	72
JL113810	7	110	JL131802	12	68
JL113810	8	110	JL131803	3	74
JL113812	9	110	JL131804	1	70
JL113827	19	4	JL131805	6	70
JL113829	6	54	JL131806	2	70
JL113830	3	42	JL131807	4	70
JL113834	1	60	JL131812	11	60
JL113836	15	48	JL131825	9	70
JL121001	15	80	JL131832	6	70
JL121005	1	80	JL131834	1	74
JL121006	28	80	JL131841	22	74
JL121007	27	80	JL131877	19	74
JL121008	13	80	JL131878	23	74
JL122001	8	56	JL131918	8	68
JL122002	7	56	JL131919	12	68
JL122003	10	56	JL131930	16	72
JL122004	13	56	JL131931	2	74
JL122006	1	56	JL151002	2	80
JL122008	14	56	JL151003	3	80
JL122009	9	56	JL151004	13	80
JL122013	3	56	JL151012	12	80
JL122026	17	56	JL151021	1	78
JL131000	7	66	JL151023	17	78
JL131001	14	66	JL151024	1	80
JL131004	3	64	JL151026	2	78
JL131004	1	66	JL151028	5	78

Parts Index

Part Number	Figure No.	Page No.	Part Number	Figure No.	Page No.
JL151030	6	78	JL171062	8	88
JL151032	18	80	JL171063	9	86
JL151034	7	78	JL171070	6	88
JL151035	9	78	JL171070	13	92
JL151036	26	80	JL171071	4	88
JL151037	22	80	JL171071	14	92
JL151038	2A	78	JL171073	26	86
JL161001	1	76	JL171078	15	88
JL161003	14	78	JL171078	24	92
JL161006	8	76	JL171081	1	86
JL161008	15	78	JL171085	24	86
JL161010	3	76	JL171096	25	86
JL161013	11	78	JL171099	1	88
JL161015	11	78	JL171600	2	86
JL161200	2	98	JL171604	2	86
JL161201	1	98	JL171607	18	42
JL161206	1	98	JL171800	13	86
JL171018	20	86	JL171801	16	86
JL171019	19	86	JL171802	10	86
JL171020	23	86	JL171803	15	86
JL171022	2	88	JL171810	1	86
JL171024	5	88	JL171837	6	42
JL171024	15	92	JL173832	2	88
JL171035	12	86	JL181005	7	138
JL171036	11	86	JL181006	5	100
JL171037	8	86	JL181008	1	104
JL171038	30	86	JL181017	8	84
JL171045	2	138	JL181019	1	84
JL171045	2	138	JL181203	6	104
JL171046	3	138	JL181205	1	100
JL171046	3	138	JL181209	22	112
JL171048	17	88	JL181214	10	90
JL171049	4	86	JL181214	4	94
JL171057	3	88	JL181218	11	114
JL171060	14	86	JL181221	24	112
JL171061	9	88	JL181224	15	56

Parts Index

Part Number	Figure No.	Page No.	Part Number	Figure No.	Page No.
JL181225	16	56	JL181427	13	96
JL181226	8	84	JL181433	18	112
JL181229	1	84	JL181437	11	96
JL181232	6	84	JL181439	25	92
JL181233	28	104	JL181447	2	92
JL181233	5	138	JL181448	3	92
JL181234	27	104	JL181449	1	92
JL181234	4	138	JL181450	4	92
JL181235	19	80	JL181453	3	106
JL181235	17	104	JL181456	9	92
JL181236	14	104	JL181457	10	92
JL181237	16	104	JL181464	7	60
JL181241	4	96	JL181464	7	60
JL181245	11	106	JL181468	13	60
JL181247	5	104	JL191001	1	50
JL181249	15	104	JL191004	7	50
JL181253	13	100	JL231201	1	120
JL181256	3	30	JL231202	6	120
JL181257	23	104	JL231203	2	120
JL181263	26	104	JL231205	12	120
JL181264	20	116	JL231207	11	120
JL181283	22	104	JL231209	13	120
JL181288	1	94	JL231211	6	120
JL181307	1	102	JL231404	3	120
JL181402	7	60	JL231405	4	120
JL181405	2	60	JL231600	22	78
JL181407	6	100	JL231601	21	78
JL181408	7	100	JL232605	17	78
JL181409	4	100	JL232800	17	110
JL181410	12	100	JL232800	2	112
JL181411	9	60	JL232805	19	110
JL181416	12	106	JL232808	10	110
JL181417	4	106	JL232810	1	112
JL181424	26	92	JL232811	8	112
JL181425	27	92	JL233002	10	128
JL181426	1	106	JL233002	12	132

Parts Index

Part Number	Figure No.	Page No.	Part Number	Figure No.	Page No.
JL233002	12	140	JL351202	8	48
JL233003	11	132	JL351218	2	48
JL233003	11	140	JL351219	16	48
JL233003	10	142	JL351230	8	48
JL233004	10	132	JL351232	7	48
JL233004	10	140	JL351241	3	48
JL233005	14	132	JL351600	1	46
JL233005	15	140	JL351800	7	24
JL233005	11	142	JL361246	3	48
JL233006	15	132	JL401002	1	110
JL233006	16	140	JL401002	12	112
JL233015	9	34	JL401003	4	108
JL233017	10B	132	JL401004	3	108
JL233017	10B	140	JL401005	1	108
JL233153	12	142	JL401006	2	108
JL233155	14	144	JL401012	9	104
JL233185	10A	132	JL401016	22	110
JL233185	10A	140	JL401017	9	106
JL233185	10A	142	JL401400	19	78
JL233190	12A	142	JL401401	20	78
JL233239	11	132	JL401402	10	62
JL233239	11	140	JL401403	18	78
JL233255	6	126	JL401405	20	78
JL233256	7	128	JL401406	5	76
JL233269	6	126	JL401409	19	78
JL233270	7	128	JL401410	20	78
JL233298	6	126	JL401411	13	78
JL233299	7	128	JL401602	8	114
JL233310	6	126	JL401801	13	116
JL233311	7	128	JL401802	15a	116
JL233316	9	128	JL401803	12	114
JL351009	10	46	JL401803	15	116
JL351032	19	46	JL401804	23	116
JL351038	19	46	JL401805	21	116
JL351200	3	48	JL402001	14	48
JL351201	7	48	JL402002	14	48

Parts Index



Part Number	Figure No.	Page No.
JL402007	14	48
JL402201	5	114
JL402202	6	114
JL402203	1	114
JL402208	17	116
JL402210	1	114
JL402220	1A	114
JL402228	1A	114
JL402229	1	114
JL402245	1	114
JL402400	1	96
JL402403	8	96
JL402405	1	96
JL402412	1	96
JL402600	6	86
JL402602	6	86
JL403000	2	114
JL403600	14	62
JL501003	1	22
JL501014	1	22
JL501040	1	22
JL501063	1	22
JL511001	2	2
JL511002	1	2
JL511009	3	6
JL511010	2	8
JL511011	3	8
JL511016	3	38
JL511022	6	6
JL511029	11	6
JL511053	4	6
JL511058	10	4
JL511060	1	4
JL511061	3	4
JL511205	6	8
JL511219	7	6

Part Number	Figure No.	Page No.
JL511220	6	10
JL511221	5	10
JL511222	8	10
JL511231	6	10
JL521002	4	12
JL531021	4	14
JL531203	3	26
JL531205	1	26
JL531213	1	26
JL531215	1	26
JL541005	13	22
JL541018	4	24
JL541027	2	22
JL541030	1	24
JL541203	7	34
JL541207	12	32
JL541208	5	34
JL541210	13	32
JL541218	22	32
JL541220	1	34
JL541222	18	32
JL541223	10	34
JL541227	8	32
JL541230	19	32
JL541231	20	32
JL541237	26	22
JL541244	1	34
JL541245	2	34
JL541246	13	32
JL551401	6	32
JL551402	10	36
JL551404	1	36
JL551406	9	36
JL561205	1	20
JL561206	2	20
JL561401	1	20

Parts Index



Part Number	Figure No.	Page No.
JL561404	2	20
JL561405	4	20
JL561407	7	20
JL561408	8	20
JL561409	14	20
JL561410	15	20
JL571000	1	28
JL571001	26	22
JL581000	1	40
JL581004	16	40
JL581007	5	40
JL581009	8	40
JL581010	14	40
JL581015	11	40
JL581016	10	40
JL581018	7	40
JL581023	2	40
JL581024	6	40
JL581025	4	40
JL581027	4	38
JL581050	1	40
JL581065	13	4
JL581066	9	4
JL581201	1	38
JL581204	18	38
JL581205	19	38
JL581206	20	38
JL581215	1	38
JL581217	1	38
JL581300	2	38
JL582400	11	4
JL582402	6	4
JL591048	2	44
JL591052	1	44
JL591075	9	44
JL591086	12	44

Part Number	Figure No.	Page No.
JL591144	4	44
JL591148	13	44
JL591157	15	44
JL591165	8	44
JL591196	1	44
JL591226	2	44
JL601000	6	30
JL601005	12	26
JL601010	29	22
JL601200	15	30
JL601210	1	30
JL601212	11	30
JL601214	25	30
JL601215	19	30
JL601216	31	30
JL601219	10	30
JL601220	9	30
JL601225	12A	6
JL601227	24	30
JL601228	12	30
JL601231	4	30
JL601234	32	30
JL601235	21	30
JL601237	12	6
JL73015M	2	138
JL73015P	2	138
JL73025N	3	138
JL73025P	3	138
JL74015M	1	138
JL74015N	1	138
JL74015P	1	138
JL74015Q	1	138
JL75015L	4	142
JL7501X3	6	130
JL7501X3	4	142
JL76015N	5	138

Parts Index

Part Number	Figure No.	Page No.	Part Number	Figure No.	Page No.
JL76015P	5	138	KADA0630	19	40
JL76025M	4	138	KADA0630	13	44
JL76025N	4	138	KADA0630	16	92
JL76025P	4	138	KADB0516	13	62
JL76025Q	5	138	KADB0516	10	88
JL78015M	7	138	KADC0616	7	106
JL78015N	7	138	KADd0510	12	110
JL78015P	7	138	KADD0610	11	112
JN351604	16	116	KADD0612	29	86
JW181236	3	84	KADD0635	18	4
JY113842	8	42	KADE0610	12	58
JY151011	26	80	KADE0614	5	90
JY171069	11	42	KADE0614	10	104
JY171070	5	42	KADE0620	11	50
JY171077	1	42	KADF0608	21	112
JY171090	7	42	KADF0610	13	48
JY171825	10	42	KADF0612	4	102
JY181255	2	102	KADf0614	5	94
JY181284	6	112	KADf0614	25	112
JY541047	4	22	KADF0616	23	30
JY541058	10	24	KADF0616	19	112
JY571030	14	24	KADF0622	11	50
JZ113061	23	58	KADF0630	16	4
JZ171055	2	42	KADF0680	5	102
JZ401013	7	114	KADF0820	8	60
KACA0520	10	60	KADM0508	4	4
KACA0635	9	120	KADM0610	18	40
KACA0820	6	58	KADP0516	27	22
KACb0516	3	86	KADQ0606	17	26
KACB0622	7	120	KADQ0620	11	10
KACH0514	6	96	KADq0625	3	46
KACH0616	10	60	KADQ0630	14	32
KACH0835	18	104	KADQ0630	6	34
KADA0510	11	44	KADQ0645	8	34
KADA0512	14	88	KAEA0608	6	76
KADA0512	17	92	KAEA0612	4	42

Parts Index

Part Number	Figure No.	Page No.	Part Number	Figure No.	Page No.
KAEG0620	13	106	KDAA0408	6	92
KAEM0622	9	40	KDAa0510	12	60
KAEQ0616	27	22	KDAA0510	10	96
KAEQ0620	10	6	KDAA0611	11	104
KAEQ0620	11	10	KDAA1018	14	120
KAEQ0620	14	26	KDBA0512	8	92
KAEQ0620	14	26	KDBA0512	12	92
KAEQ0630	14	32	KDBA0512	7	104
KAEQ0630	6	34	KDBa0512	6	106
KAEQ0640	21	24	KDBa0613	8	106
KAEQ0645	8	34	KDBA0818	3	78
KAET0610	12	58	KDBB0512	18	92
KBBA0408	13	66	KDBE0613	8	120
KBBA0512	3	60	KDDB0408	12	66
KBBA0512	24	74	KEAA1010	2	28
KBBA0514	3	110	KEAB1010	2	28
KBBa0514	4	112	KEBA3715	9	24
KBBG0612	19	24	KPBC6202	3	66
KBQA3506	17	40	KPBC6202	3	72
KBUA0516	12	104	KPBC6302	4	72
KBUa0516	17	112	LAA00019	10	72
KBUA0612	4	84	LAC00008	14	100
KBUA0612	2	94	LAC00016	8	58
KBUA0616	29	104	LAC00017	5	120
KBUA0620	3	102	LAC00019	2	56
KBUB0410	8	100	LAC00020	4	78
KBUB0512	2	84	LAC00022	12	88
KBUB0516	13	88	LAC00022	22	92
KBUc0625	7	112	LAC00024	6	18
KCAA0504	3	96	LAC00029	2A	120
KCGA0505	7	86	LAC00034	18	88
KCGa0505	5	112	LAC00034	20	92
KCGA1010	3	108	LAC00035	8	90
KCGD0606	5	110	LAC00035	10	94
KCGD1010	3	108	LAC00037	9	100
KCGF0606	17	4	LAC00046	8	58

